



METAL SIDED

MHL306 SERIES



6" Width / Metal Sided Luminaire



- 6" Width / Metal Sided Surface Mounted Luminaire
- 20 Gauge Cold Rolled Steel Welded Housing
- Powder Coated Finish / Painted After Fabrication
- Door Frame Screwed at End Corner
- T-Hinges And Spring Loaded Latches
- One Way Polyurethane Gasketed
- Row Mountable / Pendant Mountable
- Suitable for Damp Locations
- Available with:
 - Fluorescent, LED and LED T8 (Internally Driven)
 - Variety of Lenses
 - Tamper Proof Screws
 - Emergency Battery Pack



Photometric Data and IES Files are Available on www.lalighting.com



LOS ANGELES LIGHTING MFG. CO.

10141 OLNEY ST. / EL MONTE, CA 91731

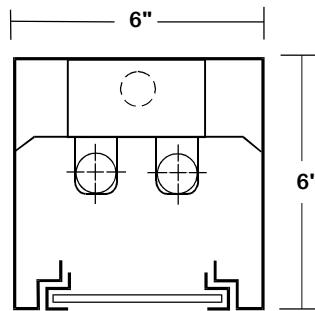
TEL : 626-454-8300 FAX : 626-454-8399

www.lalighting.com



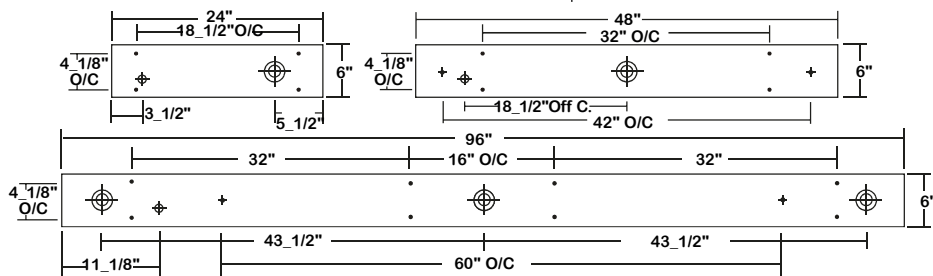
MHL306 SERIES

CROSS SECTION



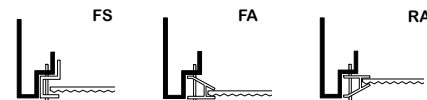
BACK PLATE

- 3/8" K.O. ♦ 11/16" STEM MTG. K.O. ⊕ 7/8" OFFSET K.O. ⊕ 2" K.O.



DOOR FRAME INFORMATION

CROSS SECTION



FS W

FINISHES

- W - White Enamel
- B - Black Enamel
- N - Natural Anodized Aluminum

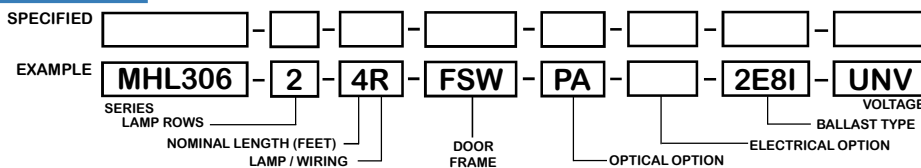
STYLES

- FS - Flat Steel
- FA - Flat Extruded Aluminum
- RA - 5/8" Regressed Extruded Aluminum

CATALOG NUMBER

	NOMINAL LENGTH	TOTAL LAMPS		NOMINAL LENGTH	TOTAL LAMPS
MHL306-1-2M	2'	1	MHL306-1-2R	2'	1
MHL306-1-4M	4'	1	MHL306-1-4R	4'	1
MHL306-1-8MT	8'	2	MHL306-1-8RT	8'	2
MHL306-2-2M	2'	2	MHL306-2-2R	2'	2
MHL306-2-4M	4'	2	MHL306-2-4R	4'	2
MHL306-2-8MT	8'	4	MHL306-2-8RT	8'	4

ORDERING GUIDE



NOTE: LAMP/WIRING*

- M= Miniature Bi-Pin T5
- R= Medium Bi-Pin T8
- MT= Miniature Bi-Pin T5, Tandem Wiring
- RT= Medium Bi-Pin T8, Tandem Wiring

OPTIONS AND ACCESSORIES

OPTICAL OPTIONS

- Clear Acrylic
- Clear Prismatic Acrylic
- Flat White Acrylic
- Polycarbonate Lenses
- High Impact Acrylic
- Note: Other lens available upon request

SUFFIX

- CA
- PA
- FWA
- *
- *

MECHANICAL OPTIONS

- Tamper Proof Screws (Hex Socket With Post)
- Gasketing
- ELECTRICAL OPTIONS
- Emergency Battery Pack
- External Line Fusing (HLR/GLR)

SUFFIX

- TP
- GSK*
- SUFFIX
- BP*
- ELF

BALLAST OPTIONS*

- Electronic T5
- Electronic T5HO
- Electronic T8 Instant Start
- Electronic T8 Rapid Start
- Electronic T8HO
- x = Number of Lamps per Ballast

SUFFIX

- xE5
- xE5H
- xE8I
- xE8R
- xE8H

ACCESSORIES

- Fixture Suspension System

CAT. NO.

*

*Refer to www.lalighting.com/resources for more information

SPECIFICATIONS

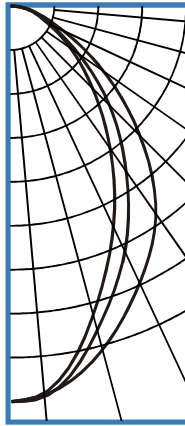
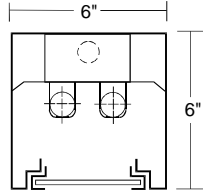
- **TYPE** Surface mounted, metal sided, modular luminaire. Available in various lengths.
- **CONSTRUCTION** 20 ga. cold rolled steel welded housing.
- **FINISH** Baked white powder coated finish, minimum reflectance 90%, painted after fabrication.
- **DOOR FRAME** 20 gauge cold rolled steel or extruded aluminum in various finishes. T-hinge, positive spring loaded latch.
- **GASKET** One way polyurethane gasketed standard. More options available.
- **OPTICS** Clear prismatic acrylic standard. Extensive variety of lenses, diffusers and louvers available.
- **WIRING** 120v 60Hz., 277v 60Hz., UNV (universal voltage 120v thru 277v.) or as otherwise specified.
- **LABELS** U.L. Listed. Suitable for damp locations.



PHOTOMETRIC DATA

MHL306-2-4R-FSW-PA-E8

TEST NO.=LA-T0438
 LAMP TYPE=FO32T8
 NO. OF LAMP=2
 LUMENS PER LAMP=2900
 WATTS PER LAMP=32
 BALLAST FACTOR=1
 PHOTOMETRY TYPE=C



CANDLEPOWER

ANGLE	END	45	CROSS
0	1057	1057	1057
5	1042	1047	1036
15	948	893	850
25	813	719	645
35	673	533	458
45	483	367	304
55	296	213	189
65	148	117	104
75	70	64	58
85	22	18	16
90	2	2	1
95	0	0	0
105	0	0	0
115	0	0	0
125	0	0	0
135	0	0	0
145	0	0	0
155	0	0	0
165	0	0	0
175	0	0	0
180	0	0	0

ZONAL LUMEN SUMMARY

DEGREES	LUMENS	% LAMP	% FIXTURE
0-30	689	11.9	39.7
0-40	1034	17.8	59.5
0-60	1532	26.4	88.2
0-90	1736	29.9	100.0
90-120	0	0.0	0
90-150	0	0.0	0
90-180	0	0.0	0
0-180	1737	29.9	100.0

Lumen Output = 1737 lumens
 Luminaire Efficiency = 29.9%

SPACING CRITERION

ALONG	ACROSS
1.06	0.86

This space is intentionally left blank.

This space is intentionally left blank.

This space is intentionally left blank.

