



# METAL SIDED

## MHL306 SERIES



### 6" Width / Metal Sided Luminaire



- 6" Width / Metal Sided Surface Mounted Luminaire
- 20 Gauge Cold Rolled Steel Welded Housing
- Powder Coated Finish / Painted After Fabrication
- Door Frame Screwed at End Corner
- T-Hinges And Spring Loaded Latches
- One Way Polyurethane Gasketed
- Row Mountable / Pendant Mountable
- Suitable for Damp Locations
- Available with:
  - Fluorescent, LED and LED T8 (Internally Driven)
  - Variety of Lenses
  - Emergency Battery Pack



*Photometric Data and IES Files are Available on [www.lalighting.com](http://www.lalighting.com)*



#### LOS ANGELES LIGHTING MFG. CO.

10141 OLNEY ST. / EL MONTE, CA 91731

TEL : 626-454-8300 FAX : 626-454-8399

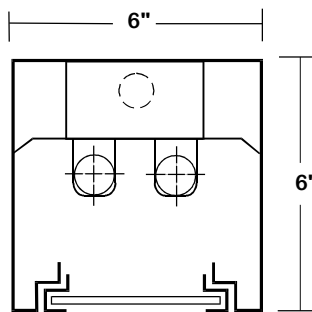
[www.lalighting.com](http://www.lalighting.com)

# METAL SIDED - LED T8 (Internally Driven)



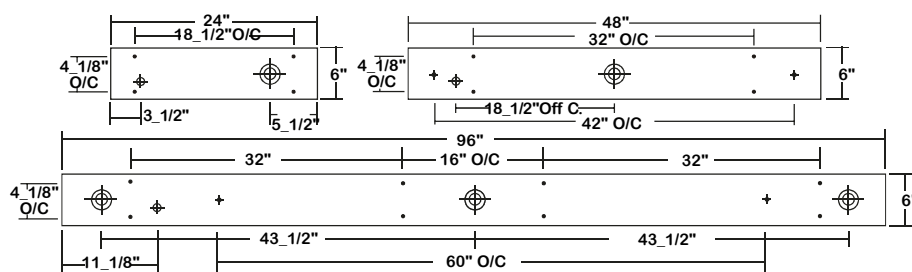
## MHL306 SERIES - LED T8

### CROSS SECTION



### BACK PLATE

- 3/8" K.O. • 11/16" STEM MTG. K.O. • 7/8" OFFSET K.O. • 2" K.O.



### TS2 - LED Luminaire On/Off Safety Switch



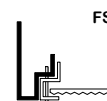
- Easily accessible on exterior of wire way.
- Allows individual fixture to be switched ON/OFF during re-lamping or Maintenance.
- Prevents damage to lamp and electrical shock during lamping and re-lamping.
- Allows safe entry to wire way channel where power connector can be disconnected for maintenance to fixture.

### CATALOG NUMBER

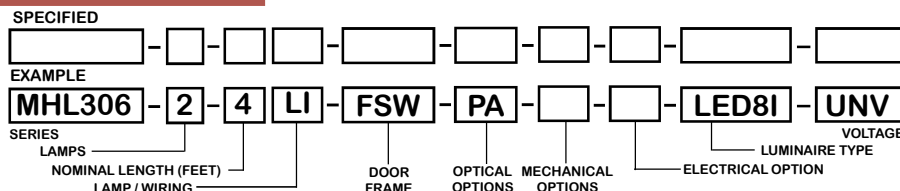
	NOMINAL LENGTH	TOTAL MODULES		NOMINAL LENGTH	TOTAL MODULES
MHL306-1-2Lx	2'	1	MHL306-2-2Lx	2'	2
MHL306-1-4Lx	4'	1	MHL306-2-4Lx	4'	2
MHL306-1-8LxT	8'	2	MHL306-2-8LxT	8'	4

### DOOR FRAME INFORMATION

#### • CROSS SECTION



### ORDERING GUIDE



### LAMP / WIRING

**LI = LED T8 internal driver light tube.**  
 Both ends powered.  
 Shunted sockets used.



**LR = LED T8 internal driver light tube.**  
 Single end powered.  
 Non-shunted sockets used.



**FS W**

#### FINISHES

- W - White Enamel
- B - Black Enamel

#### STYLES

- FS - Flat Steel

### OPTIONS AND ACCESSORIES

#### • OPTICAL OPTIONS

- Clear Acrylic
- Clear Prismatic Acrylic
- Flat Frosted White Acrylic
- Polycarbonate Lenses
- High Impact Acrylic

Note: Other lens available upon request

#### SUFFIX

- CA
- PA
- FFWA
- \*
- \*

#### • MECHANICAL OPTIONS

- Gasketing

#### SUFFIX

- GSK\*

#### • ELECTRICAL OPTIONS

- LED Luminaire ON/OFF Safety Switch

#### SUFFIX

- TS2

#### • ACCESSORIES

- Fixture Suspension System

#### CAT. NO.

- \*

\*See appropriate reference page

### SPECIFICATIONS

- **TYPE**
- **CONSTRUCTION**
- **FINISH**
- **DOOR FRAME**
- **GASKET**
- **OPTICS**
- **LED SYSTEM**
- **LABELS**

Surface mounted, metal sided, modular luminaire. Available in various lengths.  
 20 ga. cold rolled steel welded housing.  
 Baked white powder coated finish, minimum reflectance 90%, painted after fabrication.  
 20 gauge cold rolled steel or extruded aluminum in various finishes. T-hinge, positive spring loaded latch.  
 One way polyurethane gasketed standard. More options available.  
 Clear prismatic acrylic standard. Extensive variety of lenses, diffusers and louvers available.  
 Operate LED T8 internally driven light tube(s)\*\*.  
 ETL Listed. Suitable for damp locations.

\*\* Lamp(s) by others.

