

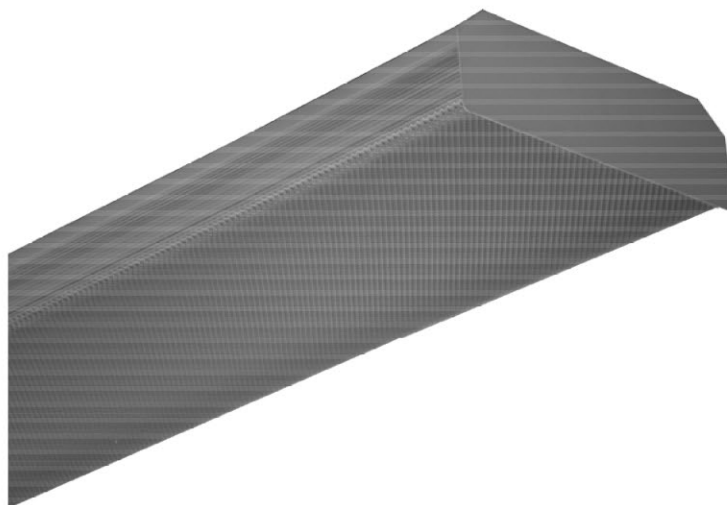


WRAPAROUND

WAN107 SERIES



Economy Wraparound Luminaire



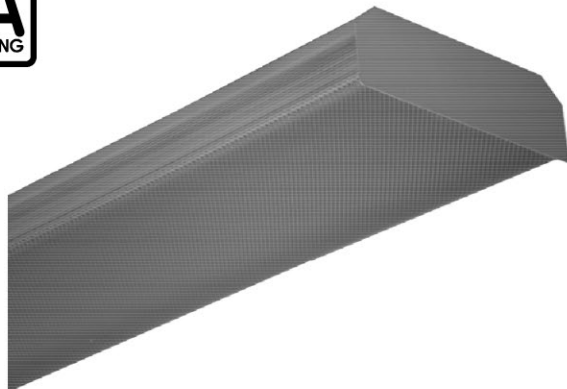
- 7_3/4" Width / Economy Wraparound Luminaire
- Lampholders Attached to Housing
- Screwed-On End Plates Painted After Fabrication
- Stem, Cable or Chain Mountable
- Row Mountable
- Suitable for Damp Locations
- Available with:
 - Fluorescent, LED and LED T8 (Internally Driven)
 - Emergency Battery Pack
 - Switch



Photometric Data and IES Files are Available on www.lalighting.com

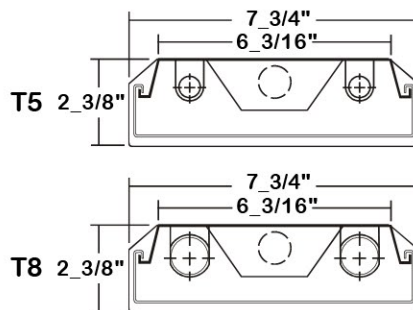


LOS ANGELES LIGHTING MFG. CO.
 10141 OLNEY ST. / EL MONTE, CA 91731
TEL: 626-454-8300 FAX: 626-454-8399
www.lalighting.com



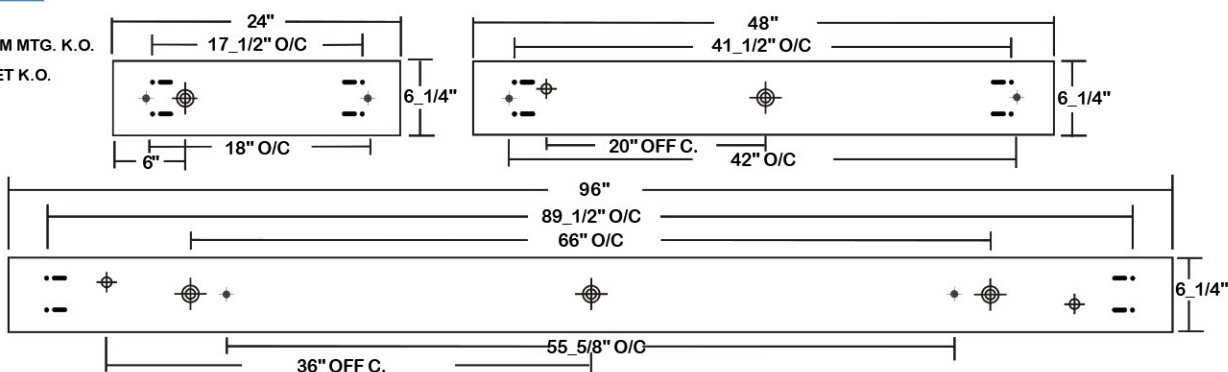
WAN107 SERIES

CROSS SECTION



BACK PLATE

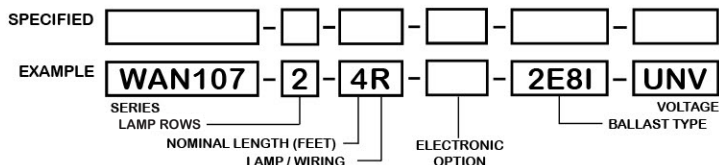
- V-HOOK
- ◆ 11/16" STEM MTG. K.O.
- ⊕ 7/8" OFFSET K.O.
- ⊕ 2" K.O.



CATALOG NUMBER

	NOMINAL LENGTH	TOTAL LAMPS		NOMINAL LENGTH	TOTAL LAMPS
WAN107-2-2M	2'	2	WAN107-2-2R	2'	2
WAN107-2-4M	4'	2	WAN107-2-4R	4'	2
WAN107-2-8MT	8'	4	WAN107-2-8RT	8'	4

ORDERING GUIDE



NOTE: LAMP/WIRING* M= Miniature Bi-Pin T5 MT= Miniature Bi-Pin T5, Tandem Wiring
 R = Medium Bi-Pin T8 RT = Medium Bi-Pin T8, Tandem Wiring

OPTIONS AND ACCESSORIES

ELECTRICAL OPTIONS

- Emergency Battery Pack
- External Line Fusina (HLR/GLR)
- Plug-In Branch Wiring connector System Switch

SUFFIX

- BP*
- ELF
- PIW
- *

BALLAST OPTIONS*

- Electronic T5
- Electronic T5HO
- Electronic T8 Instant Start
- Electronic T8 Rapid Start
- Electronic T8HO
- x = Number of Lamps per Ballast

SUFFIX

- xE5
- xE5H
- xE81
- xE8R
- xE8H

ACCESSORIES

- Fixture Suspension System
- 6" Leg Height V-Hook

CAT. NO.

- *
- V6

*Refer to www.lalighting.com/resources for more information

SPECIFICATIONS

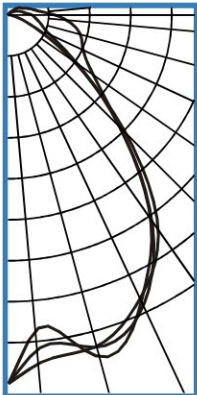
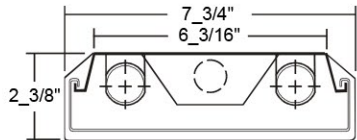
- TYPE** 7 3/4" wide surface mounted shallow wrap around luminaire with extruded lens which hinges from either side for easy relamping.
- CONSTRUCTION** 22 ga. cold rolled steel housing. (20 ga. housing available as specified)
- FINISH** Baked white polyester finish, minimum reflectance 86%. Powder coated finish end plate.
- OPTICS** Clear prismatic acrylic lens with linear side prisms, two 4" lenses per 8' fixture. DR acrylic formulation for added durability.
- WIRING** 120v 60Hz., 277v 60Hz., UNV (universal voltage 120v thru 277v.) or as otherwise specified.
- LABELS** U.L. Listed. Suitable for damp locations.



PHOTOMETRIC DATA

WAN107-2-4R-E8

TEST NO.=LA-T1770
 LAMP TYPE=FO32T8
 NO. OF LAMP=2
 LUMENS PER LAMP=2900
 WATTS PER LAMP=32
 BALLAST FACTOR=1
 PHOTOMETRY TYPE=C



CANDLEPOWER

ANGLE	END	45	CROSS
0	1681	1681	1681
5	1594	1530	1441
15	1562	1568	1615
25	1422	1457	1434
35	1186	1135	1125
45	745	708	709
55	349	374	468
65	125	204	374
75	39	151	337
85	9	119	264
90	2	106	211
95	3	83	157
105	2	60	106
115	2	41	72
125	2	26	58
135	2	16	33
145	3	10	19
155	4	6	11
165	5	3	3
175	2	2	2
180	0	0	0

ZONAL LUMEN SUMMARY

DEGREES	LUMENS	% LAMP	% FIXTURE
0-30	1261	21.7	34.4
0-40	1981	34.2	54.0
0-60	2887	49.8	78.7
0-90	3425	59.1	93.3
90-120	195	3.4	5.3
90-150	240	4.1	6.5
90-180	244	4.2	6.7
0-180	3669	63.3	100.0

Lumen Output = 3669 lumens
 Luminaire Efficiency = 63.3%

SPACING CRITERION

ALONG	ACROSS
1.15	1.14

This space is intentionally left blank.

This space is intentionally left blank.

This space is intentionally left blank.

