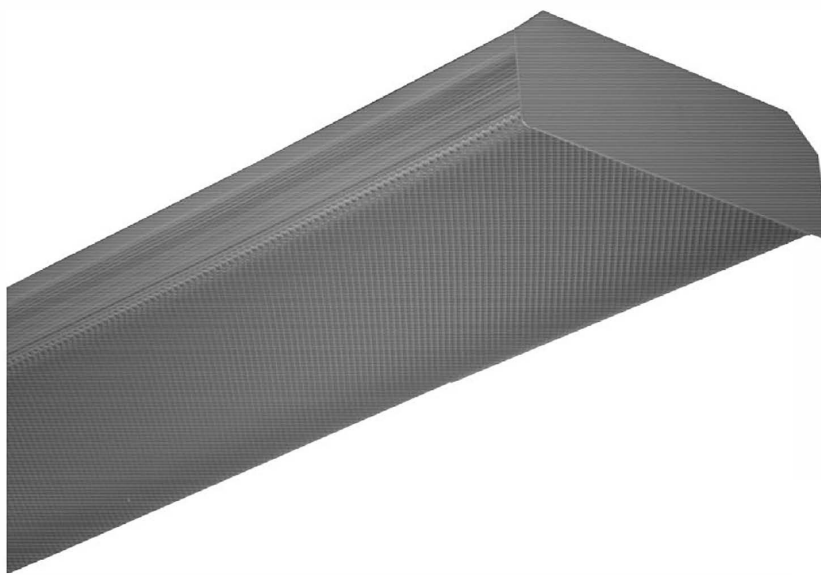


# LED T8 - WRAPAROUND

## WAN107 SERIES

### Economy Wraparound



- 7\_3/4" Width / Economy Wraparound Luminaire For LED T8 Internal Driver Light Tube (by Others)
- Lampholders Attached to Housing
- Row Mountable
- Surface or Pendant Mounted
- Screwed-On End Plates Painted After Fabrication



**LOS ANGELES LIGHTING MFG. CO.**

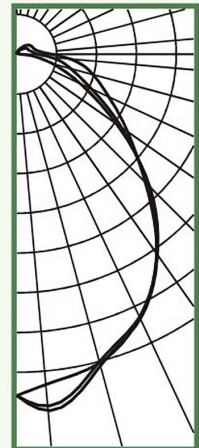
10141 OLNEY ST. / EL MONTE, CA 91731

<http://www.lalighting.com>

**TEL : 626-454-8300 FAX : 626-454-8399**

WAN107-2-4L-PA-LED8

TEST NO.=LA-T1839  
LAMP TYPE=LED T8, 4'  
NO. OF LAMP=2  
LUMENS PER LAMP=1300  
WATTS PER LAMP=15  
BALLAST FACTOR=1  
PHOTOMETRY TYPE=C



#### CANDLEPOWER

Angle	End	45	Cross
0	800	800	800
5	839	828	777
15	756	746	749
25	684	679	681
35	573	570	571
45	440	432	425
55	285	300	316
65	165	193	238
75	88	131	185
85	31	81	126
90	9	50	82
95	7	41	59
105	6	32	44
115	5	28	40
125	4	25	37
135	5	17	29
145	3	13	19
155	3	8	11
165	1	6	5
175	1	3	4
180	1	1	1

#### ZONAL LUMEN SUMMARY

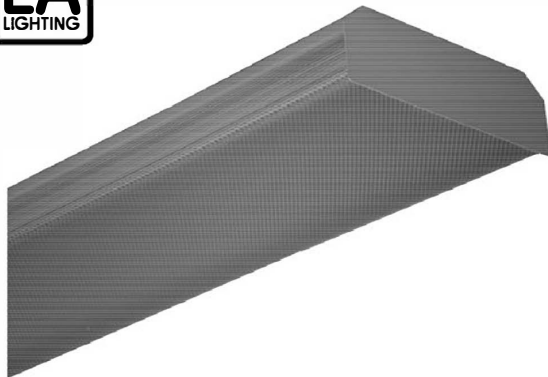
DEGREES	LUMENS	% LAMP	% FIXTURE
0-30	606	23.3	28.5
0-40	964	37.1	45.3
0-60	1568	60.3	73.7
0-90	1984	76.3	93.2
90-120	99	3.8	4.6
90-150	139	5.4	6.5
90-180	144	5.5	6.8
0-180	2128	81.9	100.0

Luminaire Efficiency = 81.9%

#### SPACING CRITERION

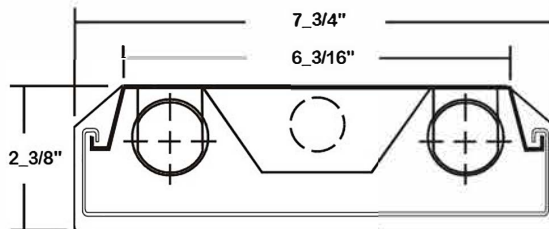
ALONG	ACROSS
1.17	1.17

# LED T8 - WRAPAROUND



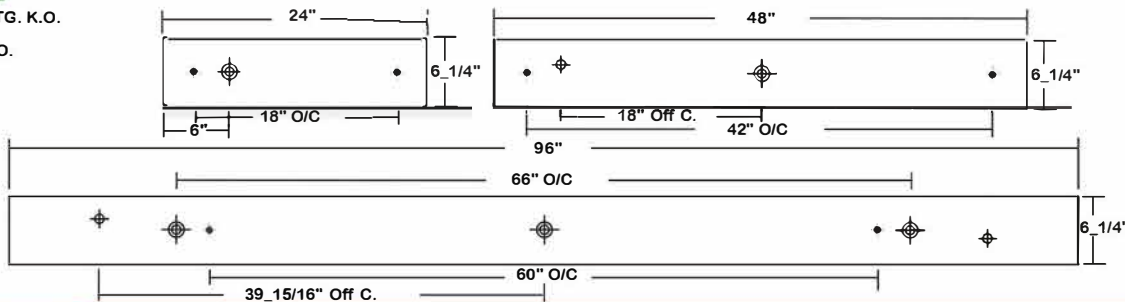
## WAN107 SERIES - LED T8

### CROSS SECTION



### BACK PLATE

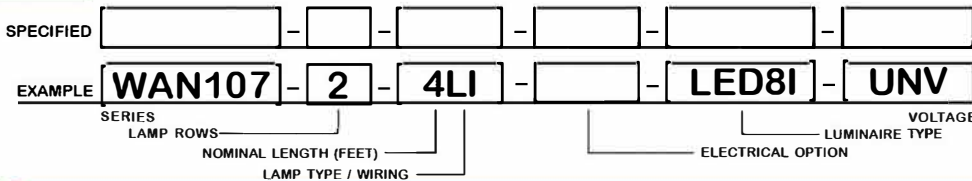
- ◆ 11/16" STEM MTG. K.O.
- ⊕ 7/8" OFFSET K.O.
- ⊕ 2" K.O.



### CATALOG NUMBER

	NOMINAL LENGTH	TOTAL LAMPS		NOMINAL LENGTH	TOTAL LAMPS
WAN107-2-2LI	2'	2	WAN107-2-8LIT	8'	4
WAN107-2-2LR	2'	2	WAN107-2-8LRT	8'	4
WAN107-2-4LI	4'	2			
WAN107-2-4LR	4'	2			

### ORDERING GUIDE



### LAMP TYPE

**LI = LED T8 internal driver light tube.**  
Both ends powered.  
Shunted sockets used.



**LR = LED T8 internal driver light tube.**  
Single end powered.  
Non-shunted sockets used.



### OPTIONS AND ACCESSORIES

● **ELECTRICAL OPTIONS**  
Switch

**SUFFIX**  
\*

● **ACCESSORIES**  
Fixture Suspension System

**CAT. NO.**  
\*

\*See Appropriate Reference Page

### SPECIFICATIONS

\*\* Lamp(s) by others.

- **TYPE** 7.3/4" wide surface mounted shallow wrap around luminaire for LED T8 internal driver light tube(s)\*\*; with extruded lens which hinges from either side for easy relamping.
- **CONSTRUCTION** 22 ga. cold rolled steel housing. (20 ga. housing available as specified)
- **FINISH** Baked white polyester finish, minimum reflectance 86%. Powder coated finish end plate.
- **OPTICS** Clear prismatic acrylic lens with linear side prisms, two 4' lenses per 8' fixture. DR acrylic formulation for added durability.
- **WIRING** Operates LED T8 internal driver light tube(s)\*\*.
- **LABELS** U.L. Listed. Suitable for damp locations.

