

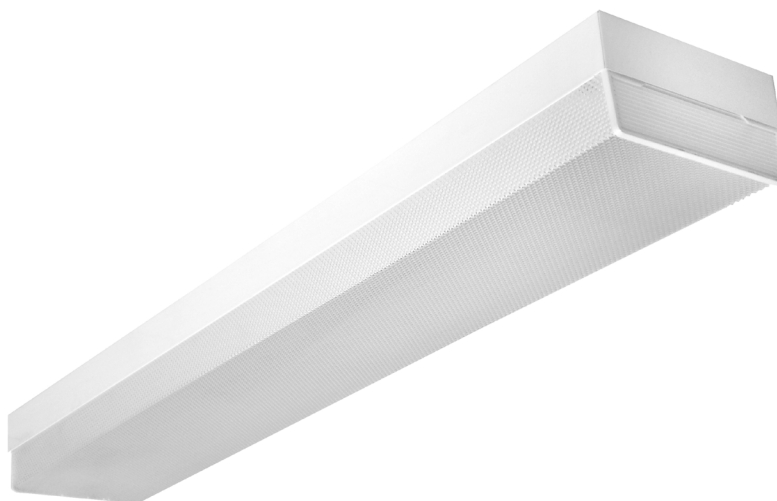


# WRAPAROUND

## WCP200 SERIES



### Square Metal Sided Wrap Luminaire



- 2 or 3 Lamp Square Metal Sided Wrap
- Powder Coated Finish / Painted After Fabrication
- Lens Secured By Spring Loaded Scissors Clips
- Pendant Mountable
- Suitable for Damp Locations
- Available with:
  - Fluorescent, LED and LED T8 (Internally Driven)
  - Variety of Lenses
  - Tamper Proof Screws
  - Emergency Battery Pack



Photometric Data and IES Files are Available on [www.lalighting.com](http://www.lalighting.com)

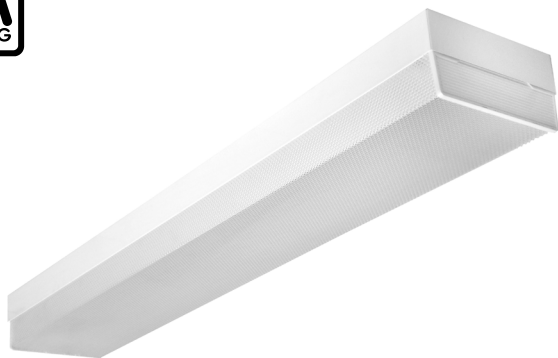


**LOS ANGELES LIGHTING MFG. CO.**

10141 OLNEY ST. / EL MONTE, CA 91731

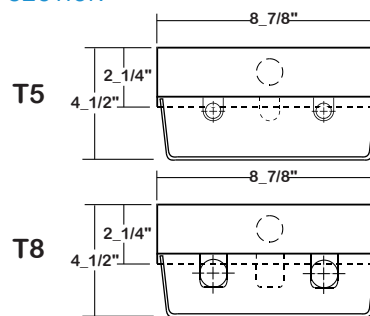
TEL : 626-454-8300 FAX : 626-454-8399

[www.lalighting.com](http://www.lalighting.com)



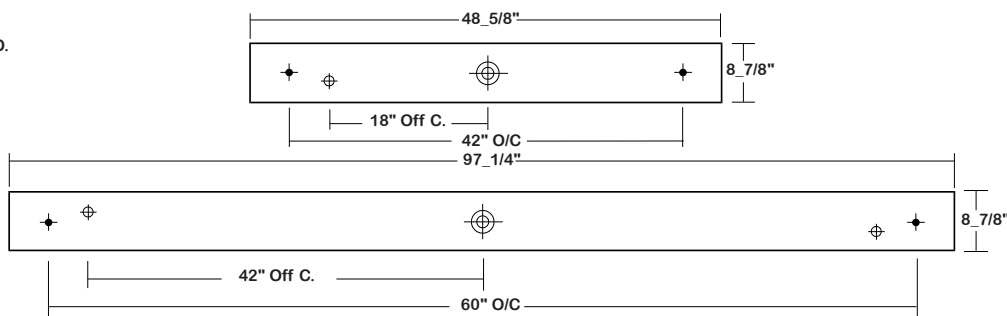
# WCP200 SERIES

## CROSS SECTION



## BACK PLATE

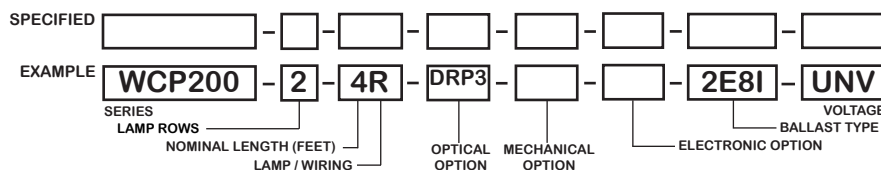
- ◆ 11/16" STEM MTG. K.O.
- ⊕ 7/8" OFFSET K.O.
- ⊕ 2" K.O.



## CATALOG NUMBER

CATALOG NUMBER	NOMINAL LENGTH	TOTAL LAMPS
WCP200-2-4R	4'	2
WCP200-2-8RT	8'	4
WCP200-3-4R	4'	3
WCP200-3-8RT	8'	6

## ORDERING GUIDE



### NOTE: LAMP/WIRING\*

- M= Miniature Bi-Pin T5
- R = Medium Bi-Pin T8
- MT= Miniature Bi-Pin T5, Tandem Wiring
- RT = Medium Bi-Pin T8, Tandem Wiring

## OPTIONS AND ACCESSORIES

<ul style="list-style-type: none"> <li>● <b>OPTICAL OPTIONS</b></li> <li>High Impact Clear Prismatic Acrylic</li> </ul>	SUFFIX DRP3	<ul style="list-style-type: none"> <li>● <b>ELECTRICAL OPTIONS</b></li> <li>Emergency Battery Pack</li> <li>External Line Fusing (HLR/GLR)</li> </ul>	SUFFIX BP* ELF	<ul style="list-style-type: none"> <li>● <b>BALLAST OPTIONS*</b></li> <li>Electronic T5</li> <li>Electronic T5HO</li> <li>Electronic T8 Instant Start</li> <li>Electronic T8 Rapid Start</li> <li>Electronic T8HO</li> <li>x = Number of Lamps per Ballast</li> </ul>	SUFFIX xE5 xE5H xE8I xE8R xE8H
<ul style="list-style-type: none"> <li>● <b>MECHANICAL OPTIONS</b></li> <li>Wet Location (Electro Galvanized Steel Housing)</li> </ul>	SUFFIX WL			<ul style="list-style-type: none"> <li>● <b>ACCESSORIES</b></li> <li>Fixture Suspension System</li> </ul>	CAT. NO. *

\*Refer to [www.lalighting.com/resources](http://www.lalighting.com/resources) for more information

## SPECIFICATIONS

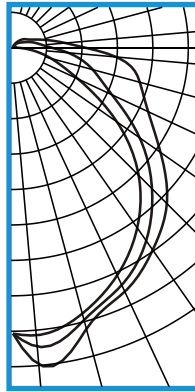
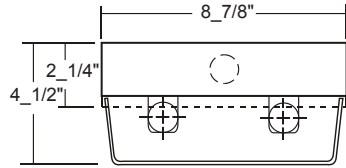
- **TYPE** Surface mounted wrap around square housing. Finger actuated, spring-loaded stamped steel hinge & latch catch located on each lens end plate. Opens from either side for easy relamping.
- **CONSTRUCTION** 22 ga. cold rolled steel welded housing.
- **OPTICS** Flat white acrylic and clear prismatic acrylic lenses are available.
- **FINISH** Baked white powder coated finish, minimum reflectance 90%, painted after fabrication.
- **WIRING** 120v 60Hz., 277v 60Hz., UNV (universal voltage 120v thru 277v.) or as otherwise specified.
- **LABELS** U.L. Listed. Suitable for damp locations.



**PHOTOMETRIC DATA**

WCP200-2-4R-PA-E8

TEST NO.=LA-T0248  
 LAMP TYPE=FO32T8  
 NO. OF LAMP=2  
 LUMENS PER LAMP=2900  
 WATTS PER LAMP=32  
 BALLAST FACTOR=1  
 PHOTOMETRY TYPE=C



**CANDLEPOWER**

ANGLE	END	45	CROSS
0	1215	1215	1215
5	1226	1276	1355
15	1164	1191	1228
25	1059	1106	1137
35	924	991	1041
45	753	834	926
55	531	653	763
65	295	459	632
75	161	348	557
85	60	233	439
90	23	166	309
95	15	128	226
105	12	88	132
115	8	57	83
125	5	39	64
135	3	27	47
145	1	16	30
155	0	9	17
165	0	2	7
175	0	0	0
180	0	0	0

**ZONAL LUMEN SUMMARY**

DEGREES	LUMENS	% LAMP	% FIXTURE
0-30	970	16.7	22.9
0-40	1590	27.4	37.5
0-60	2821	48.6	66.5
0-90	3896	37.2	91.8
90-120	282	4.9	6.6
90-150	345	5.9	8.1
90-180	349	6.0	8.2
0-180	4246	73.2	100.0

Lumen Output = 4246 lumens  
 Luminaire Efficiency = 73.2%

**SPACING CRITERION**

ALONG	ACROSS
1.21	1.33

This space is intentionally left blank.

This space is intentionally left blank.

This space is intentionally left blank.

