

LED T8 - SECURITY

WSE100 SERIES

Security Wraparound Luminaire



- 1 or 2 Lamp Security Wraparound Luminaire For LED T8 Internal Driver Light Tube (by Others)
- 20 Gauge Cold Rolled Steel Housing
- Tamper Proof Screws
- High Impact Lens
- Welded And Painted After Fabrication

- Available with:
Heavy Duty Safety Switch



LOS ANGELES LIGHTING MFG. CO.

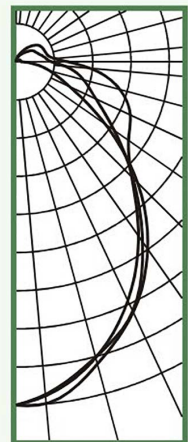
10141 OLNEY ST. / EL MONTE, CA 91731

<http://www.lalighting.com>

TEL : 626-454-8300 FAX : 626-454-8399

WSE100-2-4L-PA-LED8

TEST NO.=LA-T1829
LAMP TYPE=LED T8, 4'
NO. OF LAMP=2
LUMENS PER LAMP=1300
WATTS PER LAMP=15
BALLAST FACTOR=1
PHOTOMETRY TYPE=C



CANDLEPOWER

Angle	End	45	Cross
0	792	792	792
5	791	770	773
15	721	705	706
25	637	634	607
35	527	507	490
45	395	380	376
55	249	275	315
65	136	202	289
75	80	160	247
85	34	112	171
90	14	82	119
95	11	71	88
105	11	59	72
115	10	51	69
125	8	45	65
135	5	33	53
145	4	23	36
155	2	15	21
165	1	7	13
175	0	3	4
180	0	0	0

ZONAL LUMEN SUMMARY

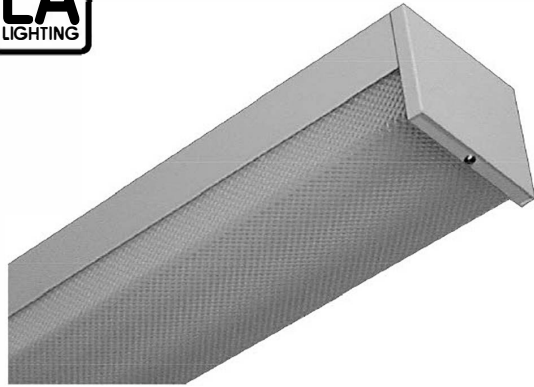
DEGREES	LUMENS	% LAMP	% FIXTURE
0-30	566	21.8	26.1
0-40	885	34.0	40.8
0-60	1431	55.0	66.1
0-90	1916	73.7	88.5
90-120	168	6.5	7.7
90-150	242	9.3	11.2
90-180	250	9.6	11.5
0-180	2167	83.3	100.0

Luminaire Efficiency = 83.3%

SPACING CRITERION

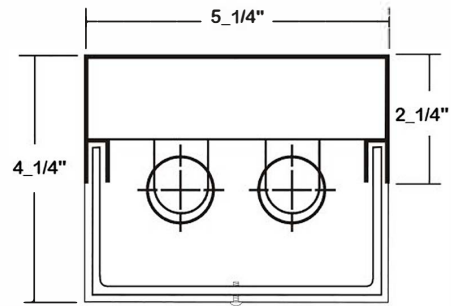
ALONG	ACROSS
1.11	1.05

LED T8 - SECURITY



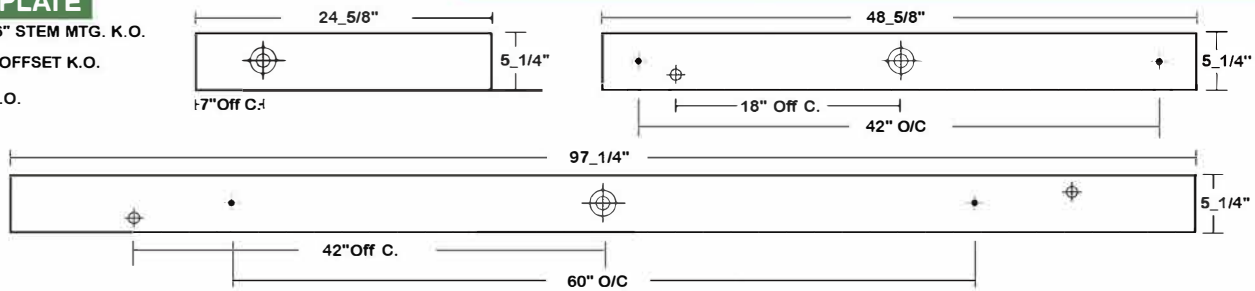
WSE100 SERIES - LED T8

CROSS SECTION



BACK PLATE

- ◆ 11/16" STEM MTG. K.O.
- ⊕ 7/8" OFFSET K.O.
- ⊕ 2" K.O.



CATALOG NUMBER

	NOMINAL LENGTH	TOTAL LAMPS		NOMINAL LENGTH	TOTAL LAMPS
WSE100-1-2LI	2'	1	WSE100-2-2LI	2'	2
WSE100-1-2LR	2'	1	WSE100-2-2LR	2'	2
WSE100-1-4LI	4'	1	WSE100-2-4LI	4'	2
WSE100-1-4LR	4'	1	WSE100-2-4LR	4'	2
WSE100-1-8LIT	8'	2	WSE100-2-8LIT	8'	4
WSE100-1-8LRT	8'	2	WSE100-2-8LRT	8'	4

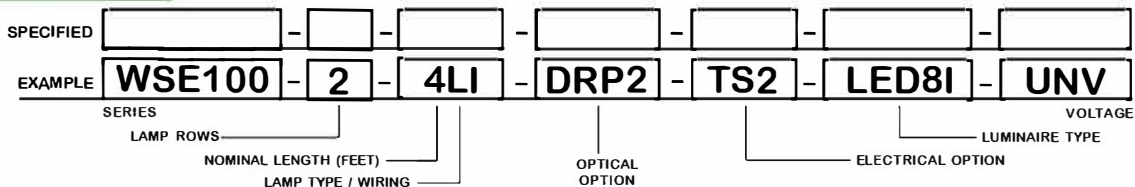
SAFETY SWITCH



TS2-LED Luminaire On/Off Safety Switch

- Easily accessible on exterior of wire way.
- Allows individual fixture to be switched ON/OFF during re-lamping or Maintenance.
- Prevents damage to lamp and electrical shock during lamping and re-lamping.
- Allows safe entry to wire way channel where power connector can be disconnected for maintenance to fixture.

ORDERING GUIDE



LAMP TYPE

LI = LED T8 internal driver light tube.
Both ends powered.
Shunted sockets used.



LR = LED T8 internal driver light tube.
Single end powered.
Non-shunted sockets used.



OPTIONS AND ACCESSORIES

● **OPTICAL OPTIONS**

- Clear Prismatic Polycarbonate .125
- High Impact Clear Prismatic Acrylic .125

SUFFIX
PPC2
DRP2

● **ELECTRICAL OPTIONS**

- LED Luminaire ON/OFF Safety Switch

SUFFIX
TS2

● **ACCESSORIES**

- Fixture Suspension System

CAT.NO.
*

*See Appropriate Reference Page

SPECIFICATIONS

- **TYPE**
- **CONSTRUCTION**
- **FINISH**
- **OPTICS**
- **WIRING**
- **LABELS**

Wraparound designed for minimum security applications. For LED T8 internal driver light tube (s)**.
Die formed 20 gauge. C.R.S. Spot welded seams and corners.
Baked white powder coated finish, minimum reflectance 90%, painted after fabrication.
High impact clear prismatic acrylic, .125 thickness. Lens secured by 2 tamper resistant screws (Hex socket with post).
Operates LED T8 internal driver light tube(s)**.
U.L. Listed. Suitable for damp locations.



** Lamp(s) by others.