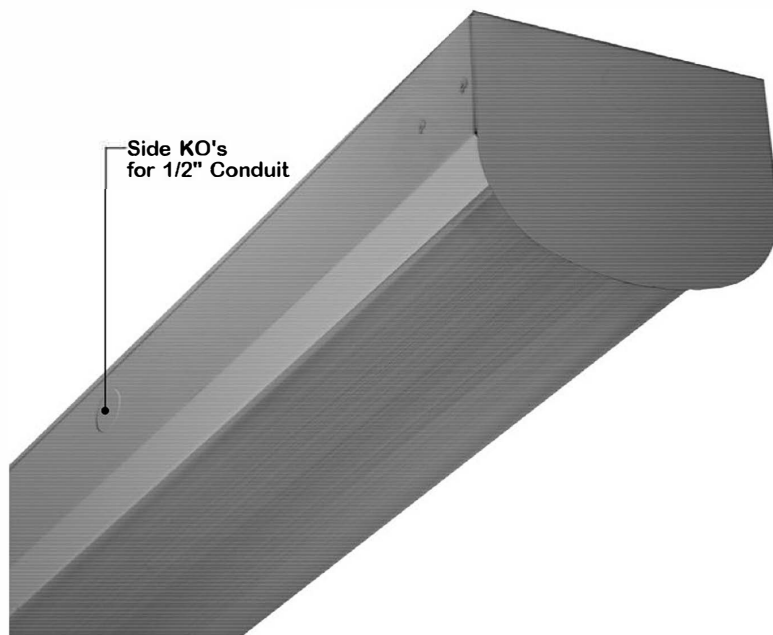


LED T8 - WRAPAROUND

WSE250 SERIES

Parking Structure Luminaire



- 1 or 2 Lamp Parking Structure Luminaire For LED T8 Internal Driver Light Tube (by Others)
- Snap-On Radial Clear Ribbed Acrylic Lens
- Aluminum Housing
- Side KO's for 1/2" Conduit
- Baked White Polyester Finish
- Available With:
 - Heavy Duty Safety Switch
 - Neoprene End Gasket Available



LOS ANGELES LIGHTING MFG. CO.

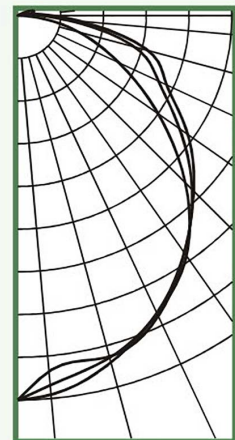
10141 OLNEY ST. / EL MONTE, CA 91731

<http://www.lalighting.com>

TEL : 626-454-8300 FAX : 626-454-8399

WSE250-2-4L-CARL-LED8

TEST NO.=LA-T1904
 LAMP TYPE=LED T8, 4'
 NO. OF LAMP=2
 LUMENS PER LAMP=1300
 WATTS PER LAMP=15
 BALLAST FACTOR=1
 PHOTOMETRY TYPE=C



CANDLEPOWER

Angle	End	45	Cross
0	814	814	814
5	806	786	756
15	761	750	748
25	697	695	703
35	621	613	614
45	500	521	526
55	362	417	438
65	236	328	347
75	133	255	285
85	40	103	130
90	9	51	76
95	4	33	38
105	0	20	35
115	0	5	19
125	0	0	2
135	0	0	0
145	0	0	0
155	0	0	0
165	0	0	0
175	0	0	0
180	0	0	0

ZONAL LUMEN SUMMARY

DEGREES	LUMENS	% LAMP	% FIXTURE
0-30	612	23.5	24.7
0-40	998	38.4	40.3
0-60	1766	67.9	71.4
0-90	2410	92.7	97.4
90-120	64	2.5	2.6
90-150	65	2.5	2.6
90-180	65	2.5	2.6
0-180	2475	95.2	100.0

Luminaire Efficiency = 95.2%

SPACING CRITERION

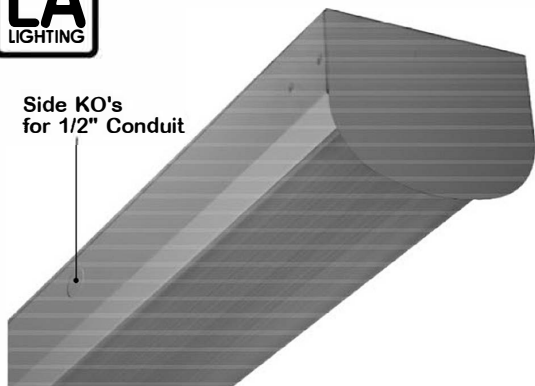
ALONG	ACROSS
1.20	1.20

LED T8 - WRAPAROUND

PARKING STRUCTURE

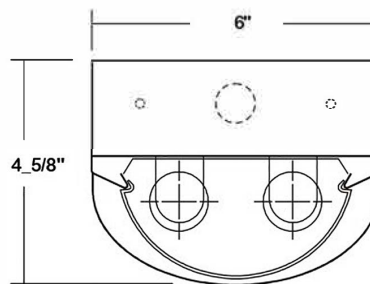


Side KO's for 1/2" Conduit



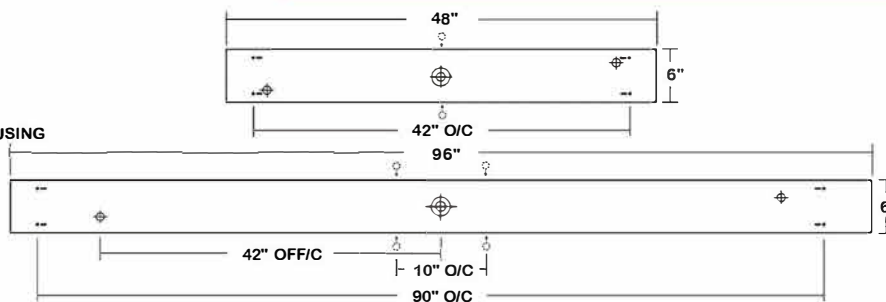
WSE250 SERIES - LED T8

CROSS SECTION



BACK PLATE

- V-HOOK
- ⊕ 7/8" OFFSET K.O.
- ⊕ 2" K.O.
- 7/8" K.O. ON SIDE OF HOUSING FOR 1/2" CONDUIT



CATALOG NUMBER

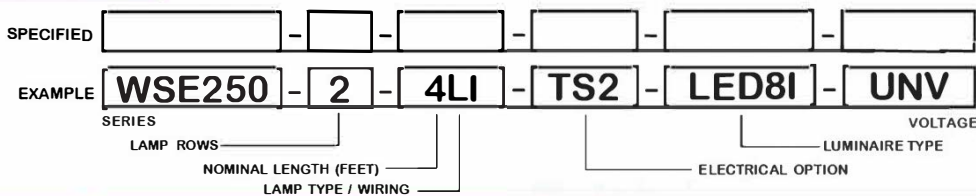
	NOMINAL LENGTH	TOTAL LAMPS		NOMINAL LENGTH	TOTAL LAMPS
WSE250-1-4LI	4'	1	WSE250-2-4LI	4'	2
WSE250-1-4LR	4'	1	WSE250-2-4LR	4'	2
WSE250-1-8LIT	8'	2	WSE250-2-8LIT	8'	4
WSE250-1-8LRT	8'	2	WSE250-2-8LRT	8'	4

SAFETY SWITCH



- TS2 - LED Luminaire On/Off Safety Switch**
- Easily accessible on exterior of wire way.
 - Allows individual fixture to be switched ON/OFF during re-lamping or Maintenance.
 - Prevents damage to lamp and electrical shock during lamping and re-lamping.
 - Allows safe entry to wire way channel where power connector can be disconnected for maintenance to fixture.

ORDERING GUIDE



LAMP TYPE

LI = LED T8 internal driver light tube.
Both ends powered.
Shunted sockets used.



LR = LED T8 internal driver light tube.
Single end powered.
Non-shunted sockets used.



OPTIONS AND ACCESSORIES

● ELECTRICAL OPTIONS	SUFFIX	● ACCESSORIES	CAT. NO.
LED Luminaire ON/OFF Safety Switch	TS2	Fixture Suspension System	*

*See Appropriate Reference Page

SPECIFICATIONS

** Lamp(s) by others.

- **TYPE** 1 or 2 lamps parking structure luminaire for LED T8 internal driver light tube (s)**.
- **CONSTRUCTION** Aluminum housing with riveted end plates.
- **FINISH** Baked white polyester finish, minimum reflectance 90%.
- **OPTICS** 4' snap-on radial clear acrylic ribbed lens, end neoprene gasket available. Two lenses per 8' fixture.
- **WIRING** Operates LED T8 internal driver light tube(s)**.
- **LABELS** U.L. Listed. Suitable for damp locations.

