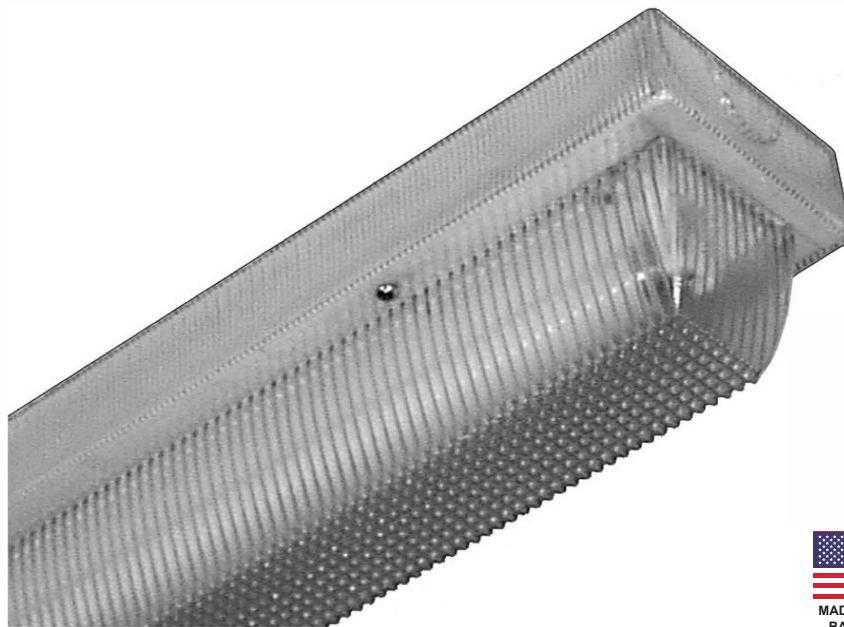


LED T8 - SECURITY

WSE400 SERIES

Security Wraparound Luminaire



- 1-Lamp Security Wraparound Luminaire For LED T8 Internal Driver Light Tube (by Others)
- 20 Gauge Cold Rolled Steel Housing
- Tamper Proof Screws
- Nominal .187 Polycarbonate Lens
- Welded And Painted After Fabrication

- Available with:
Heavy Duty Safety Switch



LOS ANGELES LIGHTING MFG. CO.

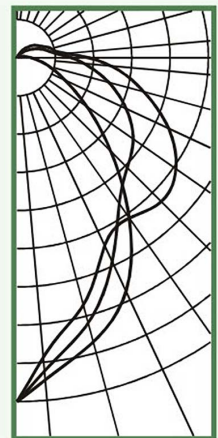
10141 OLNEY ST. / EL MONTE, CA 91731

<http://www.lalighting.com>

TEL : 626-454-8300 FAX : 626-454-8399

WSE400-1-4L-PA-LED8

TEST NO.=LA-T1830
LAMP TYPE=LED T8, 4'
NO. OF LAMP=1
LUMENS PER LAMP=1300
WATTS PER LAMP=15
BALLAST FACTOR=1
PHOTOMETRY TYPE=C



CANDLEPOWER

Angle	End	45	Cross
0	403	403	403
5	379	368	352
15	344	322	300
25	302	263	243
35	228	209	229
45	155	182	239
55	100	166	227
65	62	141	196
75	39	111	154
85	22	79	110
90	16	64	84
95	12	49	58
105	8	35	42
115	4	25	32
125	2	16	26
135	0	9	17
145	0	3	10
155	0	0	2
165	0	0	0
175	0	0	0
180	0	0	0

ZONAL LUMEN SUMMARY

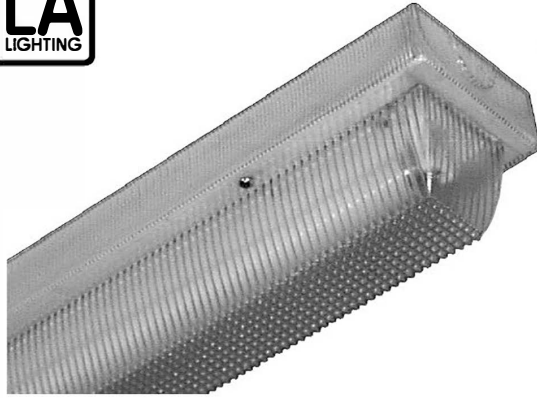
DEGREES	LUMENS	% LAMP	% FIXTURE
0-30	250	19.3	22.2
0-40	388	29.8	34.5
0-60	682	52.5	60.6
0-90	1001	77.0	88.9
90-120	102	7.9	9.1
90-150	125	9.6	11.1
90-180	125	9.6	11.1
0-180	1126	86.6	100.0

Luminaire Efficiency = 86.6%

SPACING CRITERION

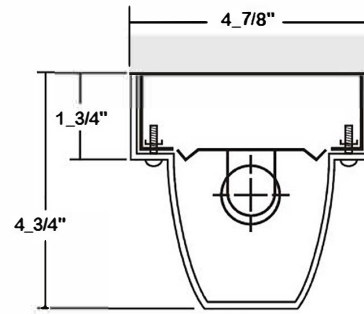
ALONG	ACROSS
1.02	0.83

LED T8 - SECURITY



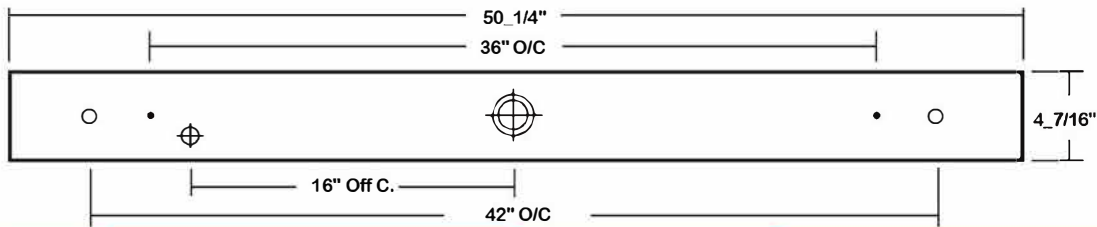
WSE400 SERIES - LED T8

CROSS SECTION



BACK PLATE

• 3/8" MTG. K.O. ◊ 11/16" STEM MTG. K.O. ⊕ 7/8" K.O. ⊕ 2" K.O.



CATALOG NUMBER

	NOMINAL LENGTH	TOTAL LAMPS
WSE400-1-4LI	4'	1
WSE400-1-4LR	4'	1

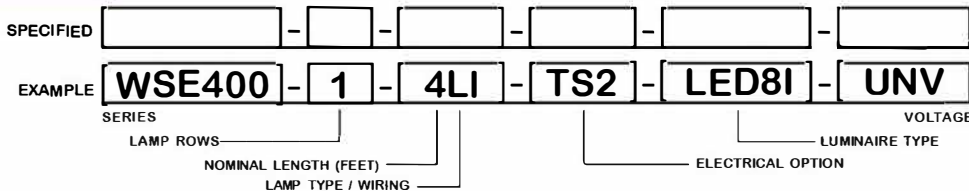
SAFETY SWITCH



TS2 - LED Luminaire On/Off Safety Switch

- Easily accessible on exterior of wire way.
- Allows individual fixture to be switched ON/OFF during re-lamping or Maintenance.
- Prevents damage to lamp and electrical shock during lamping and re-lamping.
- Allows safe entry to wire way channel where power connector can be disconnected for maintenance to fixture.

ORDERING GUIDE



LAMP TYPE

LI = LED T8 internal driver light tube.
Both ends powered.
Shunted sockets used.



LR = LED T8 internal driver light tube.
Single end powered.
Non-shunted sockets used.



OPTIONS AND ACCESSORIES

• **ELECTRICAL OPTIONS**
LED Luminaire ON/OFF Safety Switch

SUFFIX
TS2

• **ACCESSORIES**
Fixture Suspension System

CAT.NO.
*

*See Appropriate Reference Page

SPECIFICATIONS

** Lamp(s) by others.

- **TYPE** Wraparound designed for use in public spaces where vandalism may be a problem. For LED T8 internal driver light tube (s)**.
- **CONSTRUCTION** Die formed 20 gauge, C.R.S. Spot welded seams and corners.
- **FINISH** Baked white powder coated finish, minimum reflectance 90%, painted after fabrication.
- **OPTICS** Clear prismatic polycarbonate lens standard, .187 thickness. Lens secured by 6 tamper resistant screws (Hex socket with post). Operates LED T8 internal driver light tube(s)**.
- **WIRING** U.L. Listed. Suitable dfor damp locations.
- **LABELS**

