



# SECURITY LED

## WSE 100 (8FT) SERIES (2' AND 4' AVAILABLE)

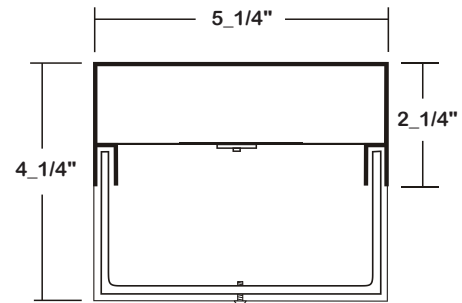
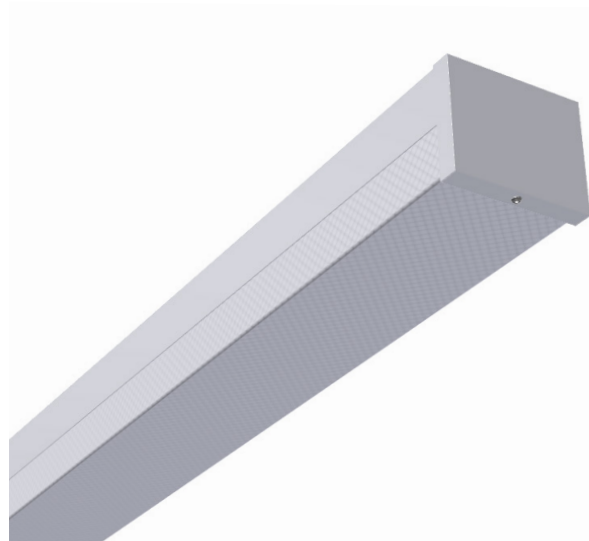
HIGH IMPACT WRAPAROUND SECURITY LUMINAIRE

DATE	
JOB	

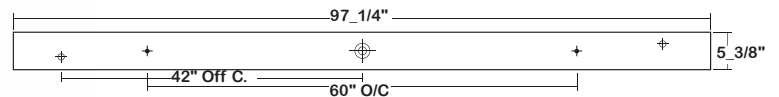
WWW.LALIGHTING.COM  
626-454-8300

### SURFACE / CEILING / WALL MOUNTED SECURITY LED LUMINAIRE

### DIMENSIONS



- ◆ 11/16" STEM MTG. K.O.
- ⊕ 7/8" OFFSET K.O.
- ⊕ 2" K.O.



### APPLICATIONS

- Security, Vandal Resistant Areas, Commercial

### FEATURES

- 0-10V dimming driver standard
- Supports California Title 24 compliance

### OPTIONS

- Full customization available upon request
- Additional lumen packages and color temperatures available
- Wireless control options available
- Custom colors available
- Variety of lenses available
- Emergency battery pack available
- Tunable white available (2700K-6500K)

### SPECIFICATIONS

#### CONSTRUCTION

- 20 ga. cold rolled steel welded housing
- Spot welded seams and corners
- Lens secured by 2 tamper resistant screws

#### FINISH

- Baked white powder coated finish / welded and painted after fabrication / minimum reflectance 90%

#### OPTICAL

- High impact clear prismatic acrylic lens (nominal 0.125) standard

#### ELECTRICAL

- High efficiency drivers coupled with long-life LEDs
- Service life greater than 50,000 hours (L70)
- Universal voltage 120V through 277V (347V / 480V available)
- Power Factor (PF) ≥ 0.9
- Total Harmonic Distortion (THD) ≤ 20%

#### LISTING

- UL USA and Canada listed / suitable for damp locations

#### WARRANTY

- 5-Year limited warranty standard. 10-Year limited warranty also available



**Los Angeles Lighting Mfg. Co.**  
Contact Us  
T: 626-454-8300 10141 Olney Street  
F: 626-454-8399 El Monte, CA 91731  
www.lalighting.com Made in the USA



Due to continued product improvements and enhancements, Los Angeles Lighting Manufacturing Company reserves the right to alter specifications, dimensions, data, and/or materials without notice. Please visit our website to view the most current information.

© 2022 LOS ANGELES LIGHTING MANUFACTURING CO. ALL RIGHTS RESERVED.

Revised: 07/14/23



**ORDERING INFORMATION**

EXAMPLE: WSE100-4-8L-DRP2-BPL1.5-DRDM-UNV-1/840

SERIES	LED LUMEN PACKAGE	EFFICACY	COLOR	NOMINAL LENGTH	OPTICAL	ELECTRICAL	DRIVER	VOLTAGE	# OF LED ROW	CRI / CCT
<b>WSE100</b>				<b>8L</b>			<b>DRDM</b>	<b>UNV</b>	<b>1</b>	
<b>WSE100</b> High Impact Wraparound Security LED Luminaire	4 Nom. 4000 Lumens 8 Nom. 8000 Lumens 12 Nom. 12000 Lumens 16 Nom. 16000 Lumens  <b>*Additional Lumen Packages Available</b>	(Blank) Standard  <b>HE</b> High Efficacy (Only 4000 / 8000 / 12000 lumens Systems)	(Blank) Standard White  <b>BLK</b> Matte Black  <b>CS</b> Camaro Silver  <b>BZ</b> Statuary Bronze	<b>8L</b> 8'	<b>DRP2</b> High Impact Clear Prismatic Acrylic Nominal 0.125  <b>PPC2</b> Clear Prismatic Polycarbonate Nominal 0.125	<b>BPL1.5</b> 1500lm Emergency Battery Pack  <b>WLC(LED RU)</b> EnOcean Wireless Control  *Leave Blank if Not Specified  <u>Additional Electrical Options</u>	<b>DRDM</b> 0-10V Dimming Driver	<b>UNV</b> 120V-277V	<b>1</b> One LED Row	<b>830</b> 80+CRI / 3000K Color Temp.  <b>835</b> 80+CRI / 3500K Color Temp.  <b>840</b> 80+CRI / 4000K Color Temp.  <b>850</b> 80+CRI / 5000K Color Temp.  *Additional Color Temp. Available
Standard options for WSE100 shown above. For additional options, including lumen packages, controls, lenses, switches, finishes, and more, visit <a href="http://www.lalighting.com/resources">www.lalighting.com/resources</a> or contact customer service.										

**SYSTEM DATA**

THESE ARE THE MOST POPULAR LUMEN PACKAGES. PLEASE CONSULT FACTORY FOR ADDITIONAL SYSTEM DATA.

LED LUMEN PACKAGE	NORMAL AMBIENT TEMPERATURE PRODUCT CODE	DELIVERED LUMENS	SYSTEM WATTS	LUMINAIRE EFFICACY	AMBIENT TEMP.	FLUORESCENT EQUIVALENT	IES FILES
4000 Lumens (Nominal)	WSE100-4-8L-DRP2-DRDM-UNV-1/840	3951 lm	30.7 W	128.6 lm/W	-20°C / 35°C	2-F32T8	*
8000 Lumens (Nominal)	WSE100-8-8L-DRP2-DRDM-UNV-1/840	7547 lm	65.1 W	115.9 lm/W	-20°C / 35°C	4-F32T8, 2-F54T5HO	<a href="#">LA-T3183</a>
12000 Lumens (Nominal)	WSE100-12-8L-DRP2-DRDM-UNV-1/840	10788 lm	102.2 W	105.5 lm/W	-20°C / 35°C	6-F32T8	*
16000 Lumens (Nominal)	WSE100-16+6-8L-DRP2-DRDM-UNV-1/840	14251 lm	107.4 W	132.7 lm/W	-20°C / 35°C	8-F32T8, 4-F54T5HO	*

LED LUMEN PACKAGE	NORMAL AMBIENT TEMPERATURE (HIGH EFFICACY) PRODUCT CODE	DELIVERED LUMENS	SYSTEM WATTS	LUMINAIRE EFFICACY	AMBIENT TEMP.	FLUORESCENT EQUIVALENT	IES FILES
4000 Lumens (Nominal)	WSE100-4HE-8L-DRP2-DRDM-UNV-1/840	3666 lm	25.3 W	144.7 lm/W	-20°C / 35°C	2-F32T8	*
8000 Lumens (Nominal)	WSE100-8HE-8L-DRP2-DRDM-UNV-1/840	7297 lm	51.7 W	141.1 lm/W	-20°C / 35°C	4-F32T8, 2-F54T5HO	*
12000 Lumens (Nominal)	WSE100-12HE-8L-DRP2-DRDM-UNV-1/840	10826 lm	79.1 W	136.8 lm/W	-20°C / 35°C	3-F32T8	*



**Los Angeles Lighting Mfg. Co.**  
Contact Us  
T: 626-454-8300  
F: 626-454-8399  
www.lalighting.com

10141 Olney Street  
El Monte, CA 91731  
Made in the USA



Due to continued product improvements and enhancements, Los Angeles Lighting Manufacturing Company reserves the right to alter specifications, dimensions, data, and/or materials without notice. Please visit our website to view the most current information.

© 2022 LOS ANGELES LIGHTING MANUFACTURING CO. ALL RIGHTS RESERVED.

Revised: 07/14/23



MADE IN THE USA  
BAA Compliant

**OPTICAL OPTIONS**

**STANDARD LENSES FOR WSE100**

<b>DRP2</b>	High Impact Clear Prismatic Acrylic, Nom. 0.125 OA Thickness, Female Prisms 3/16 Square Base
<b>PPC2</b>	Clear Prismatic Polycarbonate, Nom. 0.125 OA Thickness, Female Prisms 3/16 Square Base

[CLICK HERE FOR FULL OPTICAL OPTIONS LIST](#)

**CUSTOM COLORS**

- BLK - Matte Black
- CS - Camaro Silver
- BZ - Statuary Bronze

Variety of RAL colors & Axalta/DuPont colors available upon request.



**Los Angeles Lighting Mfg. Co.**  
 Contact Us  
 T: 626-454-8300    10141 Olney Street  
 F: 626-454-8399    El Monte, CA 91731  
 www.lalighting.com    Made in the USA



Due to continued product improvements and enhancements, Los Angeles Lighting Manufacturing Company reserves the right to alter specifications, dimensions, data, and/or materials without notice. Please visit our website to view the most current information.

© 2022 LOS ANGELES LIGHTING MANUFACTURING CO. ALL RIGHTS RESERVED.

Revised: 04/08/19

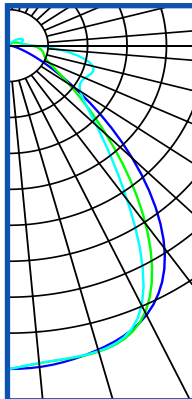
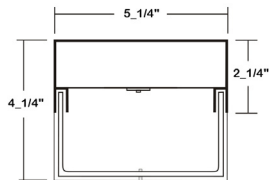


**MADE IN THE USA**  
BAA Compliant

# PHOTOMETRIC DATA - WSE100 SERIES

## WSE100-8-8L-DRP2-1DRDM-UNV-1/840

TEST NO.=LA-T3183  
 LED TYPE=48 LED MODULE  
 NO. OF MODULE=4  
 SYSTEM WATT (W)=65.1  
 CRI ≥ 80  
 L70(Hrs.) ≥ 50,000  
 PHOTOMETRY TYPE=C



### CANDLEPOWER

ANGLE	END	45	CROSS
0	3448	3448	3448
5	3439	3399	3396
15	3356	3378	3371
25	3168	3137	3057
35	2639	2318	2004
45	1699	1336	1207
55	778	713	849
65	275	432	818
75	81	353	845
85	20	292	492
90	8	219	251
95	7	155	145
115	4	77	151
125	3	51	122
135	2	30	72
145	1	16	38
155	0	6	14
165	0	2	4
175	0	0	1
180	0	0	0

### ZONAL LUMEN SUMMARY

DEGREES	LUMENS	% LAMP	% FIXTURE
0-30	2727	31.8	36.1
0-40	4185	48.8	55.4
0-60	5950	69.4	78.8
0-90	7141	83.3	94.6
90-120	312.8	3.6	4.1
90-150	401.7	4.6	5.3
90-180	405.7	4.7	5.3
0-180	7547	88.0	100.00

Luminaire Output = 7547 lumens  
 Luminaire Efficacy = 115.9 lm/W

### SPACING CRITERION

ALONG	ACROSS
1.24	1.12

