



RETROFIT SOLUTION

LED

RGPA520 (2X2)

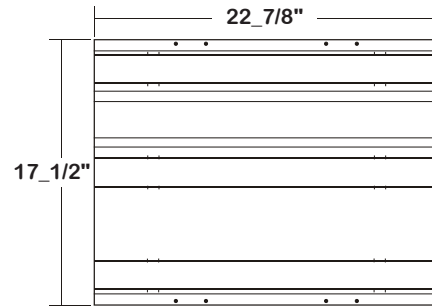
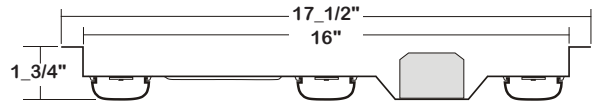
SERIES (2X4 AVAILABLE)
PARABOLIC RETROFIT SOLUTION

DATE	
JOB	

WWW.LALIGHTING.COM
626-454-8300

EASILY CONVERTS EXISTING RECESSED / SURFACE MOUNTED
2X2 PARABOLIC FLUORESCENT FIXTURES TO LED LUMINAIRES

DIMENSIONS



*Dimensions must be checked against host fixture to ensure the retrofit solution will fit properly.
L.A. Lighting has the capability to modify the retrofit solution to fit your fixture.

FEATURES

- LED retrofit solution for existing recessed / surface mounted 2X2 parabolic fluorescent luminaires
- 0-10V dimming driver standard (See *DRIVER OPTIONS* for other dimming types)
- Includes easy-to-read installation instructions (View *INSTALLATION INSTRUCTIONS*)
- 2 safety cables pre-installed
- Supports California Title 24 compliance

OPTIONS

- Full customization available upon request
- Additional lumen packages and color temperatures available
- Controls and sensors available (See *SENSOR OPTIONS* for controls and sensors)
- Wireless control options available (See *SENSOR OPTIONS* for wireless controls)
- Emergency battery pack available (See *BATTERY PACK OPTIONS* for battery pack options)
- Tunable white available (2700K-6500K)
- Painted after fabrication available

SPECIFICATIONS

CONSTRUCTION

- 22 ga. cold rolled steel LED cover tray
- LED cover tray to be secured to the host fixture with provided screws

FINISH

- Baked white polyester finish / minimum reflectance 86%

OPTICAL

- Frosted white acrylic lens

ELECTRICAL

- High efficiency drivers coupled with long-life LEDs
- Service life greater than 50,000 hours (L70)
- Universal voltage 120V through 277V (347V / 480V available)
- LED light engine is pre-wired with a quick connector for easy connection
- Driver-disconnect is provided for disconnecting the electrical supply conductors to the LED driver
- Power Factor (PF) ≥ 0.9
- Total Harmonic Distortion (THD) $\leq 20\%$

LISTING

- UL USA and Canada classified

WARRANTY

- 5-year limited warranty



Los Angeles Lighting Mfg. Co.

Contact Us
T: 626-454-8300 10141 Olney Street
F: 626-454-8399 El Monte, CA 91731
www.lalighting.com Made in the USA



Due to continued product improvements and enhancements, Los Angeles Lighting Manufacturing Company reserves the right to alter specifications, dimensions, data, and/or materials without notice. Please visit our website to view the most current information.

© 2022 LOS ANGELES LIGHTING MANUFACTURING CO. ALL RIGHTS RESERVED.

Revised: 06/04/19



MADE IN THE USA
BAA Compliant

ORDERING INFORMATION EXAMPLE: RGPA520-4-2L-FRWA-DRDM-UNV-3/840

RETROFIT SERIES	LED LUMEN PACKAGE	EFFICACY	NOMINAL LENGTH	OPTICAL	MECHANICAL	ELECTRICAL	DRIVER	VOLTAGE	# OF LED ROW	CRI / CCT
RGPA520			2L	FRWA			DRDM	UNV		
RGPA520 2X2 Parabolic Fluorescent Fixture to LED Luminaire Retrofit Solution	2 Nom. 2000 Lumens 3 Nom. 3000 Lumens 4 Nom. 4000 Lumens 6 Nom. 6000 Lumens 8 Nom. 8000 Lumens *Additional Lumen Packages Available	(Blank) Standard HE High Efficacy	2L 2' x 2'	FRWA Frosted White Acrylic	PAF Painted After Fabrication *Leave Blank if Not Specified	BPL1.5 Emergency Battery Pack, Nom. 1500 lm See BATTERY PACK OPTIONS for Options WLC(LED RU) EnOcean Wireless Control See SENSOR OPTIONS for Options *Leave Blank if Not Specified Additional Electrical Options	DRDM 0-10V Dimming Driver See DRIVER OPTIONS for Options	UNV 120V-277V See DRIVER OPTIONS for Options	2 Two LED Rows (2 Rows of Cells) 3 Three LED Rows (3 Rows of Cells) 4 Four LED Rows (4 Rows of Cells) See LOUVER CELL for Details	830 80+CRI / 3000K Color Temp. 835 80+CRI / 3500K Color Temp. 840 80+CRI / 4000K Color Temp. 850 80+CRI / 5000K Color Temp. *Additional Color Temp. Available

SYSTEM DATA

THESE ARE THE MOST POPULAR LUMEN PACKAGES. PLEASE CONSULT FACTORY FOR ADDITIONAL SYSTEM DATA.

LED LUMEN PACKAGE	NORMAL AMBIENT TEMPERATURE PRODUCT CODE	DELIVERED LUMENS**	SYSTEM WATTS	LUMINAIRE EFFICACY	AMBIENT TEMP.	FLUORESCENT EQUIVALENT	IES FILES
2000 Lumens (Nominal)	RGPA520-2-2L-FRWA-DRDM-UNV-3/840	1484 lm	14.0 W	106.0 lm/W	-20°C / 35°C	2-F17T8, 1-FB32T8	*
3000 Lumens (Nominal)	RGPA520-3-2L-FRWA-DRDM-UNV-3/840	2260 lm	22.2 W	101.6 lm/W	-20°C / 35°C	3-F17T8	*
4000 Lumens (Nominal)	RGPA520-4-2L-FRWA-DRDM-UNV-3/840	2889 lm	30.0 W	97.6 lm/W	-20°C / 35°C	4-F17T8, 2-FB32T8	LA-T3478
6000 Lumens (Nominal)	RGPA520-6-2L-FRWA-DRDM-UNV-3/840	4329 lm	47.1 W	92.0 lm/W	-20°C / 35°C	3-FB32T8	*
8000 Lumens (Nominal)	RGPA520-8-2L-FRWA-DRDM-UNV-3/840	5674 lm	65.5 W	86.6 lm/W	-20°C / 35°C	2-BX55	*

LED LUMEN PACKAGE	NORMAL AMBIENT TEMPERATURE (HIGH EFFICACY) PRODUCT CODE	DELIVERED LUMENS**	SYSTEM WATTS	LUMINAIRE EFFICACY	AMBIENT TEMP.	FLUORESCENT EQUIVALENT	IES FILES
2000 Lumens (Nominal)	RGPA520-2HE-2L-FRWA-DRDM-UNV-3/840	*	*	*	-20°C / 35°C	2-F17T8, 1-FB32T8	*
3000 Lumens (Nominal)	RGPA520-3HE-2L-FRWA-DRDM-UNV-3/840	*	*	*	-20°C / 35°C	3-F17T8	*
4000 Lumens (Nominal)	RGPA520-4HE-2L-FRWA-DRDM-UNV-3/840	*	*	*	-20°C / 35°C	4-F17T8, 2-FB32T8	*
6000 Lumens (Nominal)	RGPA520-6HE-2L-FRWA-DRDM-UNV-3/840	*	*	*	-20°C / 35°C	3-FB32T8	*
8000 Lumens (Nominal)	RGPA520-8HE-2L-FRWA-DRDM-UNV-3/840	*	*	*	-20°C / 35°C	2-BX55	*

NOTE:
System data is based on 120V input voltage. Actual performance may differ as a result of end-user environment and application.

** As tested in a host fixture with 9-cell louver

This fixture has been tested and listed in accordance with UL Standards. L.A. Lighting certifies that it will operate safely when installed properly, and within an ambient temperature range noted in the system data table.

Additional lumen packages and color temperatures available.



Los Angeles Lighting Mfg. Co.
Contact Us
T: 626-454-8300 10141 Olney Street
F: 626-454-8399 El Monte, CA 91731
www.lalighting.com Made in the USA



Due to continued product improvements and enhancements, Los Angeles Lighting Manufacturing Company reserves the right to alter specifications, dimensions, data, and/or materials without notice. Please visit our website to view the most current information.

© 2022 LOS ANGELES LIGHTING MANUFACTURING CO. ALL RIGHTS RESERVED.

Revised: 06/04/19



MADE IN THE USA
BAA Compliant

SENSOR OPTIONS



CONTROLS AND SENSORS

WLC(LED RU) - EnOcean® LED Relay Zone Controller

- Supports a single LED fixture or multiple daisy chained LED fixtures
- Module installed inside lighting fixture

ESRPU-W-EO - EnOcean® Rocker Switch – Single – Surface Mount

- Wireless single rocker switch with mounting plate
- No batteries needed

EDRPU-W-EO - EnOcean® Rocker Switch – Double – Surface Mount

- Wireless double rocker switch with mounting plate
- No batteries needed

S3054-N300 - EnOcean® Navigan NWC 300U – Commissioning Tool

- Navigan Wireless Commissioner is used to configure EnOcean controllers & sensors
- It can be used to define link tables, change parameters/settings, and to edit & store projects
- Configuration settings can be saved and cloned to enable quick configuration
- Connectivity is through the NWC 300U USB Stick

EOSWU-W-EO - EnOcean® Occupancy Sensor – Wall Mount

- Wireless wall mounted occupancy sensor
- Solar powered - no batteries needed (coin battery operated in low light conditions)
- PIR motion sensor with both wide angle (50') and long range (100') options
- Mounting height: 6-8 feet

EOSCU-W-EO - EnOcean® Occupancy Sensor – Ceiling Mount

- Wireless ceiling mounted occupancy sensor
- Solar powered - no batteries needed (coin battery operated in low light conditions)
- PIR motion sensor with 360 degree viewing angle lens (34' diameter)
- Mounting height: 7-10 feet

ELLSU-W-EO - EnOcean® Light Level Sensor – Ceiling Mount

- Light Level sensor that measures and reports the level of available natural light
- Solar powered - no batteries needed (coin battery operated in low light conditions)
- Enables implementation of daylight harvesting control systems
- Mounting position: At the ceiling, close to ambient light source

DRIVER OPTIONS

PLEASE CONSULT FACTORY TO SEE IF YOUR SELECTED DRIVER OPTION WORKS WITH THIS FIXTURE.

DRDM – UNV

* Normal Stock Item

VOLTAGE

- 120V** 120 Volt
- 277V** 277 Volt
- UNV*** Universal 120-277 Volt
- 347V** 347 Volt
- 480V** 480 Volt

DRIVER TYPE

- DRDM*** 0-10V Dimming Driver
- DRDM1** 0-10V Dimming Driver, 1% Dimming
- DRDM2C** 2-Channel 0-10V Dimming Driver (for Color Tunable White)
- DR2W** 2-Wire Phase Dimming Driver
- DRDA** Digital Addressable DALI Dimming Driver
- DRDA2C** Digital Addressable DALI Type8 2-Channel Driver (for Color Tunable White)
- DRDA2.0** Digital Addressable DALI 2.0 Dimming Driver
- DRDA2.02C** Digital Addressable DALI 2.0 Type8 2-Channel Driver (for Color Tunable White)
- DRSD** Step Dimming Driver
- DR(LTEA2W)** Lutron® 2-Wire 1% Dimming Driver (120V Forward Phase only)
- DR(LDE1)** Lutron® EcoSystem 1% Soft-On, Fade-to-Black™ Dimming Driver
- DR(LDE5)** Lutron® EcoSystem 5% Dimming Driver
- DR(PEQ0)** Lutron® EcoSystem 0.1% Soft-On, Fade-to-Black Dimming Driver
- DR(PSQ0)** Lutron® T-Series Digital 1% Dimming 2-Channel Driver (for Color Tunable White)

OF DRIVERS SPECIFIED

- (Blank)** Not Specified
- #** Number of Drivers Specified per Lighting Fixture

BATTERY PACK OPTIONS

PLEASE CONSULT FACTORY TO SEE IF YOUR SELECTED BATTERY PACK OPTION WORKS WITH THIS FIXTURE.

BPL

LUMEN PACKAGE

- 0.7** Nominal 750 Lumens
- 1.5** Nominal 1500 Lumens
- 3.0** Nominal 3000 Lumens

*Additional lumen packages available

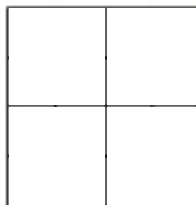
TYPE

- (Blank)** Normal Ambient Temp. / Standard Operation
- C** Cold Environment (-20°C)
- F** With Flex for Remote Mounting
- SL** Slim Casing
- ST** Self Test / Diagnostic

*Additional options available

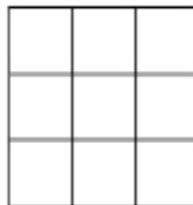
LOUVER CELL

2 ROWS OF CELLS
2 LED Rows



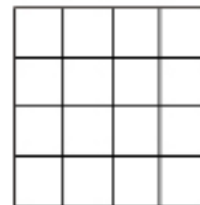
2x2

3 ROWS OF CELLS
3 LED Rows



3x3

4 ROWS OF CELLS
4 LED Rows



4x4



Los Angeles Lighting Mfg. Co.

Contact Us
T: 626-454-8300 10141 Olney Street
F: 626-454-8399 El Monte, CA 91731
www.lalighting.com Made in the USA



Due to continued product improvements and enhancements, Los Angeles Lighting Manufacturing Company reserves the right to alter specifications, dimensions, data, and/or materials without notice. Please visit our website to view the most current information.

© 2022 LOS ANGELES LIGHTING MANUFACTURING CO. ALL RIGHTS RESERVED.

Revised: 06/04/19



MADE IN THE USA
BAA Compliant