

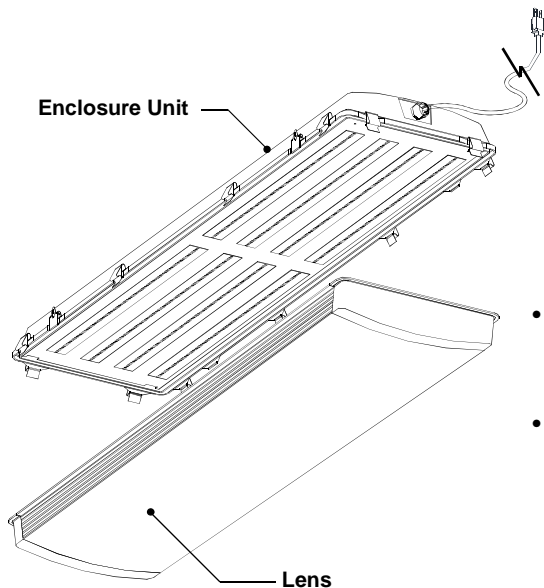
CIT400 LED SERIES

FULLY ENCLOSED AND GASKETED WET LOCATION LED LUMINAIRES
WITH CORD AND PLUG

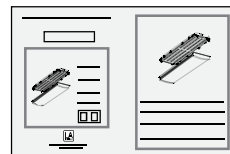
WARNING

RISK OF FIRE AND ELECTRIC SHOCK.
THIS PRODUCT IS TO BE INSTALLED BY
A QUALIFIED ELECTRICIAN ONLY.

PARTS CHECK LIST



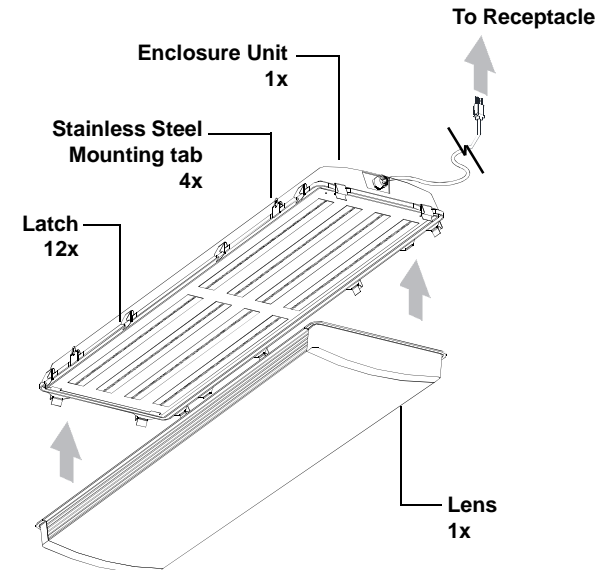
- Fixture **x 1**
 - Enclosure Unit
 - Lens
- Installation instructions **x 1**



Los Angeles Lighting Mfg. Co.
10141 OLNEY ST. / EL MONTE, CA 91731
Tel : 626-454-8300 Fax : 626-454-8399
www.lalighting.com

INSTALLATION INSTRUCTIONS

No holes to be drilled through the housing, fixtures are mounted by stainless steel mounting tabs on the side of the fixture



Step1

Attach mounting hardware* to the stainless steel mounting tabs.
(* Mounting hardware - chains, cables or brackets are not included.)

Step2

Remove the lens from the enclosure unit.

Step3

Release LED gear tray, connect power and then reinstall gear tray. Bonding between conduit and connection is not automatic and must be provided as a part of the installation. Always disconnect power from the main circuit before any wiring work.

Step4

Reinstall the lens, make sure all twelve latches are tighten. All latches must remain in place in order to maintain water tight.

Step5

Connect power, water protection of the plug and the connection between plug & receptacle are not automatic. A waterproof enclosure for plug and receptacle is required. The receptacle has to be located above the lighting fixtures.