



RETROFIT SOLUTION LED

RHBI600 SERIES

HIGH BAY RETROFIT SOLUTION

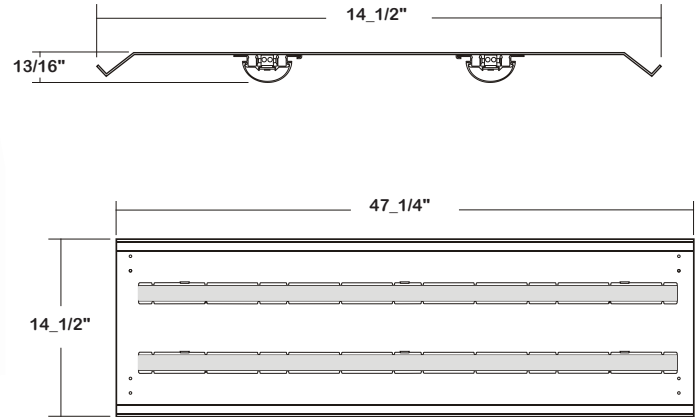
DATE	
JOB	

WWW.LALIGHTING.COM
626-454-8300

EASILY CONVERTS EXISTING HIGH BAY FLUORESCENT FIXTURES TO LED LUMINAIRES



DIMENSIONS



*Dimensions must be checked against host fixture to ensure the retrofit solution will fit properly. L.A. Lighting has the capability to modify the retrofit solution to fit your fixture.

FEATURES

- LED retrofit solution for high bay fluorescent luminaires
- **High (HT)** ambient temperature version available for extreme temperature ranges (See SYSTEM DATA for ranges)
- 0-10V dimming driver standard (packaged separately) (See DRIVER OPTIONS for other dimming types)
- Includes easy-to-read installation instructions (View INSTALLATION INSTRUCTIONS)
- Pre-punched holes to install the necessary hardware and wiring
- 2 safety cables pre-installed
- Supports California Title 24 compliance

OPTIONS

- Full customization available upon request
- Additional lumen packages and color temperatures available
- Controls and sensors available (See SENSOR OPTIONS for controls and sensors)
- Wireless control options available (See SENSOR OPTIONS for wireless controls)
- Emergency battery pack available (See BATTERY PACK OPTIONS for battery pack options)
- Painted after fabrication available

SPECIFICATIONS

CONSTRUCTION

- 22 ga. cold rolled steel LED cover tray
- LED cover tray to be secured to the host fixture with provided screws

FINISH

- Baked white polyester finish / minimum reflectance 86%

OPTICAL

- Frosted acrylic lens

ELECTRICAL

- High efficiency drivers coupled with long-life LEDs
- Service life greater than 50,000 hours (L70)
- Universal voltage 120V through 277V (347V / 480V available)
- LED light engine is pre-wired with a quick connector for easy connection
- Driver-disconnect is provided for disconnecting the electrical supply conductors to the LED driver
- Power Factor (PF) ≥ 0.9
- Total Harmonic Distortion (THD) $\leq 20\%$

LISTING

- UL USA and Canada listed

WARRANTY

- 5-year limited warranty



Los Angeles Lighting Mfg. Co.
Headquarters
10141 Olney Street
El Monte, CA 91731
Made in the USA

Contact Us
T: 626-454-8300
F: 626-454-8399
www.lalighting.com



Due to continued product improvements and enhancements, Los Angeles Lighting Manufacturing Company reserves the right to alter specifications, dimensions, data, and/or materials without notice. Please visit our website to view the most current information.

MADE IN THE U.S.A.

Revised 02-21-19

WARNING

ORDERING INFORMATION EXAMPLE: RHBI600-12-4L-FRA-DRDM-UNV-2/840HT

RETROFIT SERIES	LED LUMEN PACKAGE	NOMINAL LENGTH	OPTICAL	MECHANICAL	ELECTRICAL	DRIVER	VOLTAGE	# OF LED ROW	CRI / CCT	AMBIENT TEMP.
RHBI600		4L	FRA			DRDM	UNV	2		HT
RHBI600 High Bay Fluorescent Fixture to LED Luminaire Retrofit Solution (HT - High Ambient Temperature Version)	12 Nom. 12000 Lumens 16 Nom. 16000 Lumens 24 Nom. 24000 Lumens *Additional Lumen Packages Available	4L 4'	FRA Frosted Acrylic	PAF Painted After Fabrication *Leave Blank if Not Specified	BPL10 Emergency Battery Pack, Constant 10W Nom. 1500 Im See BATTERY PACK OPTIONS for Options MSxx Motion Sensor WLC(LED RU) EnOcean Wireless Control See SENSOR OPTIONS for Options *Leave Blank if Not Specified Additional Electrical Options	DRDM 0-10V Dimming Driver See DRIVER OPTIONS for Options	UNV 120V-277V See DRIVER OPTIONS for Options	2 Two LED Rows	840 80+CRI / 4000K Color Temp. 850 80+CRI / 5000K Color Temp. *Additional Color Temp. Available	HT High Ambient Temp.

SYSTEM DATA

THESE ARE THE MOST POPULAR LUMEN PACKAGES. PLEASE CONSULT FACTORY FOR ADDITIONAL SYSTEM DATA.

LED LUMEN PACKAGE	HIGH AMBIENT TEMPERATURE PRODUCT CODE	DELIVERED LUMENS*	SYSTEM WATTS	LUMINAIRE EFFICACY	AMBIENT TEMP.	FLUORESCENT EQUIVALENT	IES FILES
12000 Lumens (Nominal)	RHBI600-12-4L-FRA-DRDM-UNV-2/840HT	*	*	*	-40°C / 45°C (with Door) -40°C / 50°C (without Door)	6-F32T8 , 3-F54T5HO	*
16000 Lumens (Nominal)	RHBI600-16-4L-FRA-DRDM-UNV-2/840HT	15878 lm	121.9 W	130.2 lm/W	-40°C / 45°C (with Door) -40°C / 50°C (without Door)	4-F54T5HO	*
24000 Lumens (Nominal)	RHBI600-24-4L-FRA-DRDM-UNV-2/840HT	23250 lm	178.5 W	130.3 lm/W	-40°C / 45°C (with Door) -40°C / 50°C (without Door)	6-F54T5HO	*

NOTE:
System data is based on 120V input voltage. Actual performance may differ as a result of end-user environment and application.

* As tested in a host fixture with clear acrylic lens

This fixture has been tested and listed in accordance with UL Standards. L.A. Lighting certifies that it will operate safely when installed properly, and within an ambient temperature range noted in the system data table.

Additional lumen packages and color temperatures available.



Los Angeles Lighting Mfg. Co.
 Headquarters
 10141 Olney Street
 El Monte, CA 91731
 Made in the USA

Contact Us
 T: 626-454-8300
 F: 626-454-8399
 www.lalighting.com



Due to continued product improvements and enhancements, Los Angeles Lighting Manufacturing Company reserves the right to alter specifications, dimensions, data, and/or materials without notice. Please visit our website to view the most current information.

MADE IN THE U.S.A.

Revised 02-21-19
WARNING

SENSOR OPTIONS

DRY AND DAMP LOCATIONS - HIGH / LOW AISLE MOUNTING APPLICATIONS - FIXTURE MOUNT

*Door Frame must be removed

MSPCDD - Motion Sensor & Photocell Dimming (Setup with Remote Control)

- Field adjustable dimming sensor capabilities:
 - Step Dim (HIGH/LOW output)
 - Auto Dim Control (dim to desired footcandles, ON/OFF with motion)
 - Auto Night Light (dim to desired footcandles, LOW without motion)
- Used in conjunction with 0-10V dimming Ballast /Driver
- Holds lights OFF when sufficient daylight is present regardless of motion detection
- Adjustable ramp up and fade down time
- Fixture mounting height 8-40'
- Universal Voltage (120V-277V)
- Remote setup and adjustment with handheld wireless tool (sold separately)

MS (LOWE)

LENS	SHAPE	MOUNTING HEIGHT	COVERAGE
(LOWE)	Extra Wide	Cone	8-10 ft 2.4-3.0m 6X Height
(HI)	High Bay	Cone	15-30 ft 4.5-9.0m 3X Height
(LOW)	Standard	Round	8-20 ft. 2.4-6.0m 2X Height
(AIL)	Aisle Way	Arch	8-40 ft. 2.4-12.0m 3X Height

- MS** Turns light ON/OFF based on motion detection
- MSPC** Holds lights OFF when sufficient daylight is present regardless of motion detection
- MSPCD** Variably Dims output to desired footcandles through photocell. Low setting when unoccupied. Full on with motion.



CONTROLS AND SENSORS

WLC(LED RU) - EnOcean® LED Relay Zone Controller

- Supports a single LED fixture or multiple daisy chained LED fixtures
- Module installed inside lighting fixture

ESRPU-W-EO - EnOcean® Rocker Switch – Single – Surface Mount

- Wireless single rocker switch with mounting plate
- No batteries needed

EDRPU-W-EO - EnOcean® Rocker Switch – Double – Surface Mount

- Wireless double rocker switch with mounting plate
- No batteries needed

S3054-N300 - EnOcean® Navigan NWC 300U – Commissioning Tool

- Navigan Wireless Commissioner is used to configure EnOcean controllers & sensors
- It can be used to define link tables, change parameters/settings, and to edit & store projects
- Configuration settings can be saved and cloned to enable quick configuration
- Connectivity is through the NWC 300U USB Stick

EOSWU-W-EO - EnOcean® Occupancy Sensor – Wall Mount

- Wireless wall mounted occupancy sensor
- Solar powered - no batteries needed (coin battery operated in low light conditions)
- PIR motion sensor with both wide angle (50') and long range (100') options
- Mounting height: 6-8 feet

EOSCU-W-EO - EnOcean® Occupancy Sensor – Ceiling Mount

- Wireless ceiling mounted occupancy sensor
- Solar powered - no batteries needed (coin battery operated in low light conditions)
- PIR motion sensor with 360 degree viewing angle lens (34' diameter)
- Mounting height: 7-10 feet

ELLSU-W-EO - EnOcean® Light Level Sensor – Ceiling Mount

- Light Level sensor that measures and reports the level of available natural light
- Solar powered - no batteries needed (coin battery operated in low light conditions)
- Enables implementation of daylight harvesting control systems
- Mounting position: At the ceiling, close to ambient light source

DRIVER OPTIONS

PLEASE CONSULT FACTORY TO SEE IF YOUR SELECTED DRIVER OPTION WORKS WITH THIS FIXTURE.

DRDM - UNV

* Normal Stock Item

VOLTAGE

- 120V** 120 Volt
- 277V** 277 Volt
- UNV*** Universal 120-277 Volt
- 347V** 347 Volt
- 480V** 480 Volt

DRIVER TYPE

- DRDM*** 0-10V Dimming Driver
- DRDM1** 0-10V Dimming Driver, 1% Dimming
- DR2W** 2-Wire Phase Dimming Driver
- DRDA** Digital Addressable DALI Dimming Driver
- DRDA2.0** Digital Addressable DALI 2.0 Dimming Driver
- DRSD** Step Dimming Driver
- DR(LTEA2W)** Lutron® 2-Wire 1% Dimming Driver (120V Forward Phase only)
- DR(LDE1)** Lutron® EcoSystem 1% Soft-On, Fade-to-Black™ Dimming Driver
- DR(LDE5)** Lutron® EcoSystem 5% Dimming Driver
- DR(PEQ0)** Lutron® EcoSystem 0.1% Soft-On, Fade-to-Black Dimming Driver

OF DRIVERS SPECIFIED

- (Blank)** Not Specified
- #** Number of Drivers Specified per Lighting Fixture

BATTERY PACK OPTIONS

PLEASE CONSULT FACTORY TO SEE IF YOUR SELECTED BATTERY PACK OPTION WORKS WITH THIS FIXTURE.

BPL

OUTPUT WATTAGE

- 5** Constant 5W, Nominal 750 Lumens
- 10** Constant 10W, Nominal 1500 Lumens*
- 15** Constant 15W, Nominal 2250 Lumens
- 20** Constant 20W, Nominal 3000 Lumens

*Note: 10W standard when wattage is not specified

TYPE

- (Blank)** Normal Ambient Temp. / Standard Operation
- C** Cold Environment
- F** With Flex for Remote Mounting
- SL** Slim Casing
- ST** Self Test / Diagnostic



Los Angeles Lighting Mfg. Co.
 Headquarters
 10141 Olney Street
 El Monte, CA 91731
 Made in the USA

Contact Us
 T: 626-454-8300
 F: 626-454-8399
 www.lalighting.com



Due to continued product improvements and enhancements, Los Angeles Lighting Manufacturing Company reserves the right to alter specifications, dimensions, data, and/or materials without notice. Please visit our website to view the most current information.

MADE IN THE U.S.A.

Revised 02-21-19

WARNING