

# RSTR204 Series LED Retrofit Kit

## Installation Instructions

Page 1 of 4

Read all instructions and warnings before attempting installation.

**WARNING** Risk of fire or electric shock. Luminaire wiring and electrical parts may be damaged when drilling for installation of LED retrofit kit. Check for wiring and components.

**WARNING** Risk of fire or electric shock. LED Retrofit Kit installation requires knowledge of construction and operation of the luminaire's electrical systems and the hazards involved. If not qualified, do not attempt installation. Contact a qualified electrician.

**WARNING** Risk of fire or electric shock. Install this kit only in the luminaires that have the construction features and dimensions shown in the photographs and/or drawings and where the input rating of the retrofit kit does not exceed the input rating of the luminaire.

**WARNING** To prevent wiring damage or abrasion, do not expose wiring to edges of sheet metal or other sharp objects.

**WARNING** Electrical shock can occur during retrofit component installation if power is not turned off.

**WARNING** Do not make or alter any open holes in and enclosure of wiring or electrical components during kit installation.

**WARNING** Only those open holes indicated in the photographs and/or drawings may be made or altered as a result of kit installation. Do not leave any other open holes in an enclosure of wiring or electrical components.

**WARNING** Risk of personal injury. Wear gloves and safety glasses at all times when removing from carton, installing, servicing and maintaining this equipment.

For cUL units, THE RETROFIT KIT IS ACCEPTABLE AS A COMPONENT OF A LUMINAIRE WHERE THE SUITABILITY OF THE COMBINATION SHALL BE DETERMINED BY CSA OR AUTHORITIES HAVING JURISDICTION.

Los Angeles Lighting Mfg. Co. assumes no responsibility for claims arising out of improper or careless handling or installation of this product.



**Los Angeles Lighting Mfg. Co.**

10141 OLNEY ST. / EL MONTE, CA 91731

Tel : 626-454-8300 Fax : 626-454-8399 [www.lalighting.com](http://www.lalighting.com)

# RSTR204 Series LED Retrofit Kit

## Installation Instructions

Page 2 of 4

Read all instructions and warnings before attempting installation.

### PARTS LIST

- **Pre-Wired LED Assembly, 1x**

Assembly with LED boards, Driver and Driver Disconnect.



- **Hardware Package, 1x**

Package contains the below items:



Self-Drilling TEK Screw, 6x (RSTR204-4L)  
Self-Drilling TEK Screw, 10x (RSTR204-8L)

- **Labels, 2x**

Luminaire Modification Label, 1x  
Replacement Parts Marking Label, 1x

**IMPORTANT** Check your retrofit kit against the parts list.

**IMPORTANT** Do not touch the LEDs during installation to prevent the risk of damaging LEDs.

**IMPORTANT** Always disconnect power before attempting installation.

**IMPORTANT** A label with model number and date of manufacture is included in the package and must be installed in the luminaire once installation is complete. This label must be applied in compliance with the UL standard.

**IMPORTANT** Installation requires application of the Luminaire Modification Label in your kit, as per UL. This label includes the statement: "This fixture has been modified and can no longer operate the originally intended lamp". This label should be applied to the fixture housing once installation is complete.



**Los Angeles Lighting Mfg. Co.**

10141 OLNEY ST. / EL MONTE, CA 91731

Tel : 626-454-8300 Fax : 626-454-8399 [www.lalighting.com](http://www.lalighting.com)

# RSTR204 Series LED Retrofit Kit

## Installation Instructions

Page 3 of 4

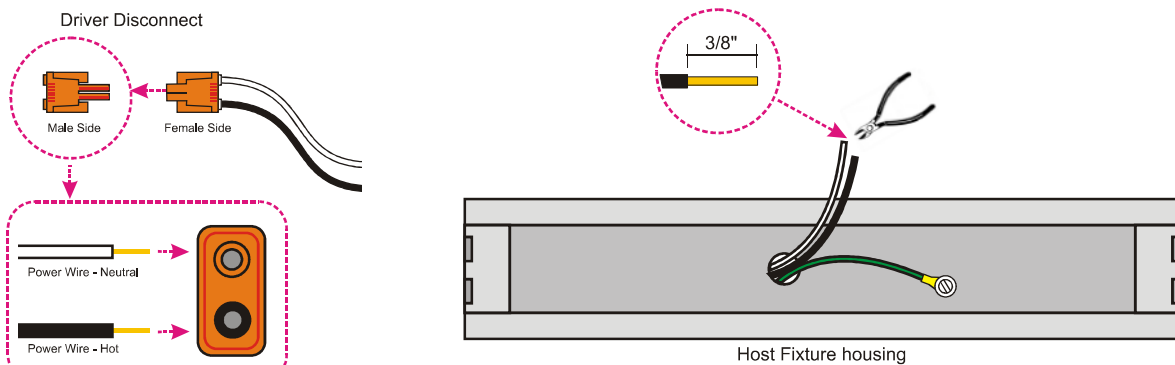
Read all instructions and warnings before attempting installation.

### Step 1

Locate the fluorescent lighting fixture (host fixture) that's to be retrofitted, **DISCONNECT POWER.**

### Step 2

- Remove fluorescent tubes from the Host fixture.
- Remove Ballast/wireway cover and Lamp holders with wires from the lamp holder brackets of the host fixture.
- Identify power supply wires, clip and strip the ends 3/8" to prepare for use with the Driver Disconnect.
- Leave existing Ground wire (Green) attached, do not remove.
- Recycle or properly dispose of all components removed from host fixture.
- Remove male side Driver disconnect from pre-wired LED Assembly and connect it to main power supply.

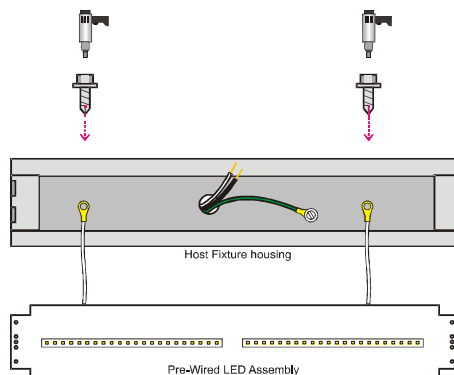


### Step-3

- Apply provided labels to the Fixture. All provided labels must be applied in compliance with UL Standards.

### Step-4

- Install safety cables onto the host fixture with provided self drilling TEK screws.



### Step-5

- Secure grounding wire of the Pre-wired LED assembly to the host fixture, Connect grounding wire to the original ground point of the Host fixture..



**Los Angeles Lighting Mfg. Co.**

10141 OLNEY ST. / EL MONTE, CA 91731

Tel : 626-454-8300 Fax : 626-454-8399 www.lalighting.com

# RSTR204 Series LED Retrofit Kit

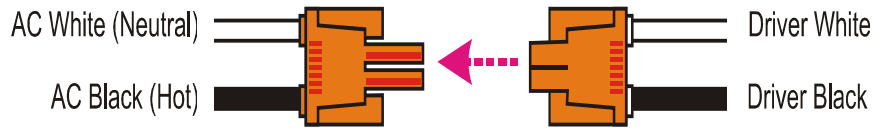
## Installation Instructions

Page 4 of 4

Read all instructions and warnings before attempting installation.

### Step-6

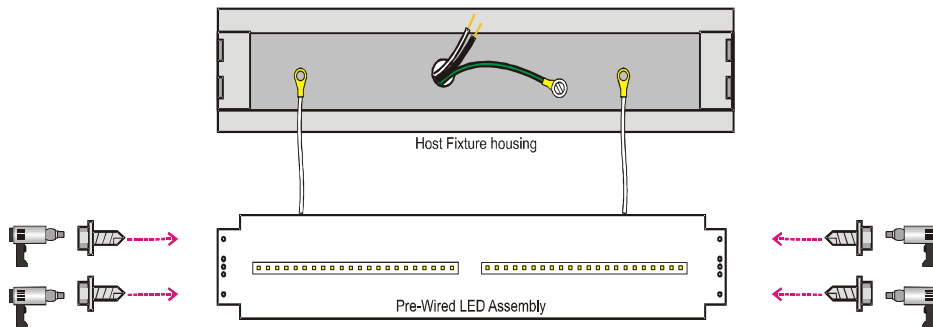
- Connect power supply wires to the Driver disconnect. (AC Black to Driver Black/ AC White to Driver White)



### Step-7

- There are 5 mounting holes on each side of the Pre wired LED Assembly, 2 outside exposed and 3 under lens (8' Pre wired LED Assembly has 10 additional mtg holes on the center).

Place the LED Assembly against the lamp holder brackets of the host fixture, use self-drilling TEK Screws to secure the LED Assembly to the host fixture.



**Los Angeles Lighting Mfg. Co.**

10141 OLNEY ST. / EL MONTE, CA 91731

Tel : 626-454-8300 Fax : 626-454-8399 [www.lalighting.com](http://www.lalighting.com)