



RETROFIT SOLUTION

LED

RSW003 SERIES

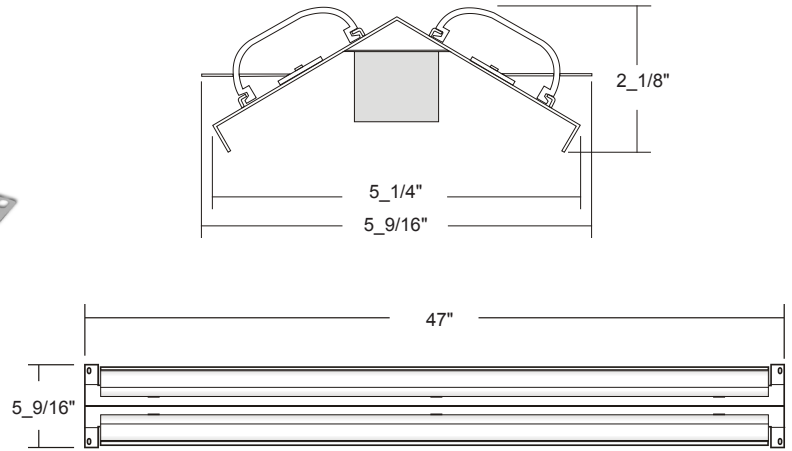
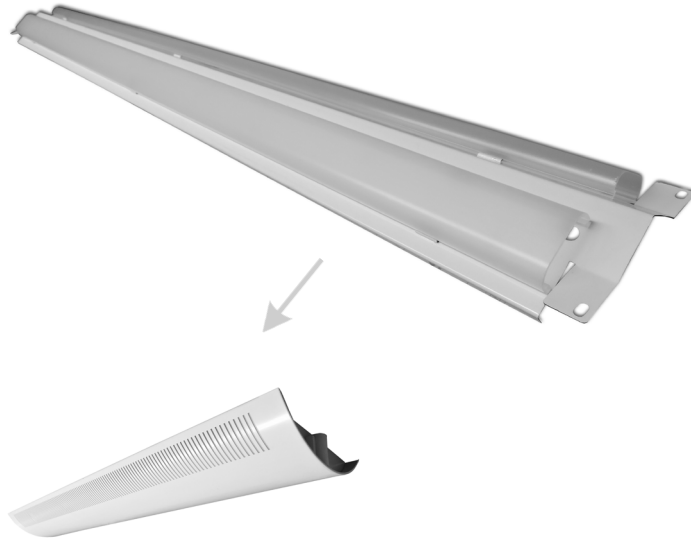
INDIRECT RETROFIT SOLUTION

DATE	
JOB	

WWW.LALIGHTING.COM
626-454-8300

EASILY CONVERTS EXISTING INDIRECT FLUORESCENT FIXTURES TO LED LUMINAIRES

DIMENSIONS



*Dimensions must be checked against host fixture to ensure the retrofit solution will fit properly. L.A. Lighting has the capability to modify the retrofit solution to fit your fixture.

FEATURES

- LED retrofit solution for indirect fluorescent luminaires
- 0-10V dimming driver standard
- Includes easy-to-read installation instructions
- 2 safety cables pre-installed
- Supports California Title 24 compliance

OPTIONS

- Full customization available upon request
- Additional lumen packages and color temperatures available
- Wireless control options available
- Emergency battery pack available
- Tunable white available (2700K-6500K)
- Painted after fabrication available

SPECIFICATIONS

CONSTRUCTION

- 22 ga. cold rolled steel LED cover tray
- LED cover tray to be secured to the host fixture with provided screws

FINISH

- Baked white polyester finish / minimum reflectance 86%

OPTICAL

- Frosted acrylic lens

ELECTRICAL

- High efficiency drivers coupled with long-life LEDs
- Service life greater than 50,000 hours (L70)
- Universal voltage 120V through 277V (347V / 480V available)
- LED light engine is pre-wired with a quick connector for easy connection
- Driver-disconnect is provided for disconnecting the electrical supply conductors to the LED driver
- Power Factor (PF) ≥ 0.9
- Total Harmonic Distortion (THD) $\leq 20\%$

LISTING

- UL USA and Canada classified

WARRANTY

- 5-Year limited warranty standard. 10-Year limited warranty also available



Los Angeles Lighting Mfg. Co.

Contact Us
T: 626-454-8300
F: 626-454-8399
www.lalighting.com

10141 Olney Street
El Monte, CA 91731
Made in the USA



Due to continued product improvements and enhancements, Los Angeles Lighting Manufacturing Company reserves the right to alter specifications, dimensions, data, and/or materials without notice. Please visit our website to view the most current information.

© 2022 LOS ANGELES LIGHTING MANUFACTURING CO. ALL RIGHTS RESERVED.

Revised: 07/27/23



MADE IN THE USA
BAA Compliant

ORDERING INFORMATION EXAMPLE: RSW003-6-4L-FRA-DRDM-UNV-2/840

RETROFIT SERIES	LED LUMEN PACKAGE	NOMINAL LENGTH	OPTICAL	ELECTRICAL	DRIVER	VOLTAGE	# OF LED ROW	CRI / CCT
RSW003		4L	FRA		DRDM	UNV	2	
RSW003 Indirect Fluorescent Fixture to LED Luminaire Retrofit Solution	4 Nom. 4000 Lumens 6 Nom. 6000 Lumens 8 Nom. 8000 Lumens *Additional Lumen Packages Available	4L 4'	FRA Frosted Acrylic Lens	BPL1.5 1500lm Emergency Battery Pack WLC(LED RU) EnOcean Wireless Control *Leave Blank if Not Specified <u>Additional Electrical Options</u>	DRDM 0-10V Dimming Driver	UNV 120V-277V	2 Two LED Rows	830 80+CRI / 3000K Color Temp. 835 80+CRI / 3500K Color Temp. 840 80+CRI / 4000K Color Temp. 850 80+CRI / 5000K Color Temp. *Additional Color Temp. Available
Standard options for RSW003 shown above. For additional options, including lumen packages, controls, lenses, switches, finishes, and more, visit www.lalighting.com/resources or contact customer service.								

SYSTEM DATA

THESE ARE THE MOST POPULAR LUMEN PACKAGES. PLEASE CONSULT FACTORY FOR ADDITIONAL SYSTEM DATA.

LED LUMEN PACKAGE	NORMAL AMBIENT TEMPERATURE PRODUCT CODE	DELIVERED LUMENS**	SYSTEM WATTS	LUMINAIRE EFFICACY	AMBIENT TEMP.	FLUORESCENT EQUIVALENT	IES FILES
4000 Lumens (Nominal)	RSW003-4-4L-FRA-DRDM-UNV-2/840	*	*	*	-20°C / 35°C	4-F32T8	*
6000 Lumens (Nominal)	RSW003-6-4L-FRA-DRDM-UNV-2/840	6122 lm	47.5 W	128.8 lm/W	-20°C / 35°C	3-F32T8	*
8000 Lumens (Nominal)	RSW003-8-4L-FRA-DRDM-UNV-2/840	*	*	*	-20°C / 35°C	4-F32T8	*

NOTE:
System data is based on 120V input voltage. Actual performance may differ as a result of end-user environment and application.

** As tested in a host fixture with a frosted acrylic lens

This fixture has been tested and listed in accordance with UL Standards. L.A. Lighting certifies that it will operate safely when installed properly, and within an ambient temperature range noted in the system data table.

Additional lumen packages and color temperatures available.



Los Angeles Lighting Mfg. Co.
Contact Us
T: 626-454-8300
F: 626-454-8399
www.lalighting.com
10141 Olney Street
El Monte, CA 91731
Made in the USA



Due to continued product improvements and enhancements, Los Angeles Lighting Manufacturing Company reserves the right to alter specifications, dimensions, data, and/or materials without notice. Please visit our website to view the most current information.

© 2022 LOS ANGELES LIGHTING MANUFACTURING CO. ALL RIGHTS RESERVED.

Revised: 07/27/23

