



VAPOR TIGHT

LED

CIT 100 SERIES

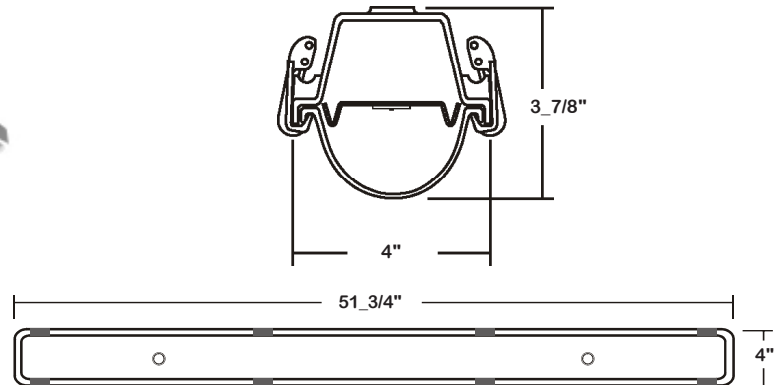
FULLY ENCLOSED IMPACT RESISTANT VAPOR TIGHT GASKETED LUMINAIRE

DATE	
JOB	

WWW.LALIGHTING.COM
626-454-8300

SURFACE / SUSPENSION MOUNTED VAPOR TIGHT GASKETED LED LUMINAIRE

DIMENSIONS



APPLICATIONS

- Commercial, Refrigeration, Dusty Areas, Freezer

FEATURES

- 0-10V dimming driver standard (See *DRIVER OPTIONS* for other dimming types)
- Supports California Title 24 compliance
- Safety strap attached to snap-on gear tray

OPTIONS

- Wet location available
- Full customization available upon request
- Additional lumen packages and color temperatures available
- Controls and sensors available (See *SENSOR OPTIONS* for controls and sensors)
- Wireless control options available (See *SENSOR OPTIONS* for wireless controls)
- Variety of lenses available (See *OPTICAL OPTIONS* for lenses)
- Emergency battery pack available (See *BATTERY PACK OPTIONS* for battery pack options)
- Stainless steel latches available
- Tamper proof screws available
- Watertight HUB available
- NSF available
- Cable suspension systems available (See *ACCESSORIES* for details)
- Stainless steel V-hook available (See *ACCESSORIES* for details)
- Mounting bracket available (See *ACCESSORIES* for details)

SPECIFICATIONS

CONSTRUCTION

- IP65 / IP66 / IP67 / NEMA 4x Rated Enclosure
- 22 ga. cold rolled steel internal snap-on gear tray / cover
- Fiberglass housing with poured in place polyurethane gasket
- Lens secured to fiberglass housing by polycarbonate latches

FINISH

- Gear Tray - baked white polyester finish (powder coated finish available) / minimum reflectance 86%

OPTICAL

- Impact resistant smooth acrylic frosted lens

ELECTRICAL

- High efficiency drivers coupled with long-life LEDs
- Service life greater than 50,000 (L70)
- Universal voltage 120V through 277V (347V / 480V available)
- Power Factor (PF) ≥ 0.9
- Total Harmonic Distortion (THD) $\leq 20\%$

LISTING

- UL USA and Canada listed / suitable for damp locations / wet location available

WARRANTY



Los Angeles Lighting Mfg. Co.
Headquarters
10141 Olney Street
El Monte, CA 91731
Made in the USA

Contact Us
T: 626-454-8300
F: 626-454-8399
www.lalighting.com



Due to continued product improvements and enhancements, Los Angeles Lighting Manufacturing Company reserves the right to alter specifications, dimensions, data, and/or materials without notice. Please visit our website to view the most current information.

MADE IN THE U.S.A.

Revised 03-23-20

WARNING

ORDERING INFORMATION

EXAMPLE: CIT100-6-4L-DRFA-WL-BPL10-1DRDM-UNV-1/840

SERIES	LED LUMEN PACKAGE	EFFICACY	NOMINAL LENGTH	OPTICAL	MECHANICAL	ELECTRICAL	DRIVER	VOLTAGE	# OF LED ROW	CRI / CCT
CIT100			4L				DRDM	UNV	1	
CIT100 Fully Enclosed Impact Resistant Vapor Tight Gasketed LED Luminaire	2 Nom. 2000 Lumens 4 Nom. 4000 Lumens 6 Nom. 6000 Lumens *Additional Lumen Packages Available	(Blank) Standard HE High Efficacy (Only 2000 / 4000 / 6000 lumens Systems)	4L 4'	DRFA Impact Resistant Smooth Acrylic Frosted FPC Impact Resistant Polycarbonate Smooth Frosted <u>See OPTICAL OPTIONS for Options</u>	WL Wet Location (2 SSMB mounting brackets & 1 watertight hub provided) WTHUB Watertight HUB (1 per fixture) SSL Stainless Steel Latches WL-SZ NSF - Splash Zone / Non-Food Zone / Wet Location Included TP Stainless Steel Tamper Proof Screws *Leave Blank if Not Specified <u>Additional Mechanical Options</u>	BPL1.5 Emergency Battery Pack Nom. 1500 Im <u>See BATTERY PACK OPTIONS for Options</u> MSxx Motion Sensor WLC(LED RU) Wireless Control <u>See SENSOR OPTIONS for Options</u> *Leave Blank if Not Specified <u>Additional Electrical Options</u>	1DRDM 0-10V Dimming Drive <u>See DRIVER OPTIONS for Options</u>	UNV 120V-277V <u>See DRIVER OPTIONS for Options</u>	1 One LED Row	830 80+CRI / 3000K Color Temp. 835 80+CRI / 3500K Color Temp. 840 80+CRI / 4000K Color Temp. 850 80+CRI / 5000K Color Temp. 8TW Tunable White 827 to 865 *Additional Color Temp. Available

SYSTEM DATA

THESE ARE THE MOST POPULAR LUMEN PACKAGES. PLEASE CONSULT FACTORY FOR ADDITIONAL SYSTEM DATA.

NOMINAL SIZE	LED LUMEN PACKAGE	OPTICAL OPTION	CRI / CCT	DELIVERED LUMENS	SYSTEM WATTS	LUMINAIRE EFFICACY	FLUORESCENT EQUIVALENT	IES FILES
4'	2000 Im	DRFA	840	2044 Im	15.7 W	130.0 Im/W	2-F17T8, 1-F24T5HO	*
	2000HE Im	DRFA	840	1939 Im	12.7 W	152.7 Im/W	2-F17T8, 1-F24T5HO	*
	4000 Im	DRFA	840	3905 Im	33.1 W	117.9 Im/W	4-F27T8, 2-F24T5HO	LA-T3194
	4000HE Im	DRFA	840	3860 Im	25.9 W	148.9 Im/W	4-F27T8, 2-F24T5HO	*
	6000 Im	DRFA	840	5581 Im	52.3 W	106.7 Im/W	6-F17T8, 3-F24T5HO	*
	6000HE Im	DRFA	840	5726 Im	39.6 W	144.5 Im/W	6-F17T8, 3-F24T5HO	*

NOTE:

System data above is based on 120V input voltage. Actual performance may differ as a result of end-user environment and application. This fixture has been tested and listed in accordance with UL Standards. L.A. Lighting certifies that it will operate safely when installed properly, and within an ambient temperature range from -20°C to 35°C.

Additional lumen packages and color temperatures available.

PERFORMANCE DATA

[VIEW PHOTOMETRICS](#)



Los Angeles Lighting Mfg. Co.
Headquarters
10141 Olney Street
El Monte, CA 91731
Made in the USA

Contact Us
T: 626-454-8300
F: 626-454-8399
www.lalighting.com



Due to continued product improvements and enhancements, Los Angeles Lighting Manufacturing Company reserves the right to alter specifications, dimensions, data, and/or materials without notice. Please visit our website to view the most current information.

MADE IN THE U.S.A.

Revised 03-23-20

WARNING

SENSOR OPTIONS**DRY AND DAMP LOCATIONS - HIGH / LOW AISLE MOUNTING APPLICATIONS - END MOUNT****MS - Motion Sensor**

- Turns light ON/OFF based on motion detection
- Fixture mounting height 8-45'
- Universal Voltage (120V-277V)
- 480V available

MSSD - Motion Sensor – Step Dimming

- Step-dims light to desired preset level (based on motion detection)
- Used in conjunction with 0-10V Ballast/Driver
- Fixture mounting height 8-45'
- Universal Voltage (120V-277V)

MSPC - Motion Sensor & Photocell

- Holds lights OFF when sufficient daylight is present regardless of motion detection
- Fixture mounting height 8-45'
- Universal Voltage (120V-277V)

MSPCD(ADC) - Motion Sensor & PhotoCell Dimming (Auto Dim Control)

- Variably dims output to desired preset footcandle level through photocell ON/OFF with motion detection
- Used in conjunction with 0-10V Ballast/Driver
- Fixture mounting height 8-45'
- Universal Voltage (120V-277V)

MSPCD(ANL) - Motion Sensor & Photocell Dimming (Auto Night Light)

- Variably dims output to desired footcandles through photocell
- Low setting when unoccupied (full on with motion)
- For 24 hour use
- Used in conjunction with 0-10V Ballast/Driver
- Fixture mounting height 8-45'
- Universal Voltage (120V-277V)

MSPCDR - Motion Sensor & Photocell Dimming (Setup with Remote Control)

- Field adjustable dimming sensor capabilities:
 - Step Dim (HIGH/LOW output)
 - Auto Dim Control (dim to desired footcandles, ON/OFF with motion)
 - Auto Night Light (dim to desired footcandles, LOW without motion)
- Used in conjunction with 0-10V dimming Ballast /Driver
- Holds lights OFF when sufficient daylight is present regardless of motion detection
- Adjustable ramp up and fade down time
- Fixture mounting height 8-40'
- Universal Voltage (120V-277V)
- Remote setup and adjustment with handheld wireless tool (sold separately)

PCS - Photocell Sensor

- Turns light ON/OFF based on light levels
- Fixture mounting height 8-45'
- Universal Voltage (120V-277V)

PCD - Photocell Dimming

- Dims output to desired footcandles through photocell
- Used in conjunction with 0-10V Ballast/Driver
- Fixture mounting height 8-45'
- Universal Voltage (120V-277V)

WET LOCATIONS - HIGH / LOW AISLE MOUNTING APPLICATIONS - END MOUNT**MSW(HI) - Motion Sensor Wet (HI)**

- Turns light ON/OFF based on motion detection
- High mounting height applications 15-30' / Universal Voltage (120V-277V)
- 480V available

MSPCW(HI) - Motion Sensor & Photocell Wet (HI)

- Holds lights OFF when sufficient daylight is present regardless of motion detection
- High mounting height applications 15-30' / Universal voltage (120V-277V)

MSSDW(HI) - Motion Sensor – Step Dimming Wet (HI)

- Step-dims light to desired preset level (based on motion detection)
- Used in conjunction with 0-10V Ballast/Driver
- Fixture mounting height 15-30' / Universal Voltage (120V-277V)

MSPCDW(HI) - Motion Sensor & Photocell Dimming Wet (HI)

- Field adjustable dimming sensor capabilities:
 - Step Dim (HIGH/LOW output)
 - Auto Dim Control (dim to desired footcandles, ON/OFF with motion)
 - Auto Night Light (dim to desired footcandles, LOW Setting without motion)
- Used in conjunction with 0-10V Ballast/Driver
- High mounting height applications 15-30' / Universal voltage (120V-277V)

MSPCDW(LOW) - Motion Sensor & Photocell Dimming Wet (LOW)

- Field adjustable dimming sensor capabilities:
 - Step Dim (HIGH/LOW output)
 - Auto Dim Control (dim to desired footcandles, ON/OFF with motion)
 - Auto Night Light (dim to desired footcandles, LOW SETTING without motion)
- Used in conjunction with 0-10V Ballast/Driver
- Low mounting height applications 8-15' / Universal voltage (120V-277V)

MSW(LOW) - Motion Sensor Wet (LOW)

- Turns light ON/OFF based on motion detection
- Low mounting height applications 8-15'
- Universal Voltage (120V-277V)
- 480V available

MSPCW(LOW) - Motion Sensor & Photocell Wet (LOW)

- Holds lights OFF when sufficient daylight is present regardless of motion detection
- Low mounting height applications 8-15'
- Universal voltage (120V-277V)

MSSDW(LOW) - Motion Sensor – Step Dimming Wet (LOW)

- Step-dims light to desired preset level (based on motion detection)
- Used in conjunction with 0-10V Ballast/Driver
- Fixture mounting height 8-15'
- Universal Voltage (120V-277V)

MSPCDRW - Motion Sensor & Photocell Dimming (Setup with Remote Control, Wet)

- Field adjustable dimming sensor capabilities:
 - Step Dim (HIGH/LOW output)
 - Auto Dim Control (dim to desired footcandles, ON/OFF with motion)
 - Auto Night Light (dim to desired footcandles, LOW without motion)
- Used in conjunction with 0-10V dimming Ballast /Driver
- Holds lights OFF when sufficient daylight is present regardless of motion detection
- Adjustable ramp up and fade down time
- Fixture mounting height 8-40'
- Universal Voltage (120V-277V)
- Remote setup and adjustment with handheld wireless tool (sold separately)

**CONTROLS AND SENSORS****WLC(LED RU) - EnOcean® LED Relay Zone Controller**

- Supports a single LED fixture or multiple daisy chained LED fixtures
- Module installed inside lighting fixture

ESRPU-W-EO - EnOcean® Rocker Switch – Single – Surface Mount

- Wireless single rocker switch with mounting plate
- No batteries needed

ESDRPU-W-EO - EnOcean® Rocker Switch – Double – Surface Mount

- Wireless double rocker switch with mounting plate
- No batteries needed

S3054-N30 - EnOcean® Navigan NWC 300U – Commissioning Tool

- Navigan Wireless Commissioner is used to configure EnOcean controllers & sensors
- It can be used to define link tables, change parameters/settings, and to edit & store projects
- Configuration settings can be saved and cloned to enable quick configuration
- Connectivity is through the NWC 300U USB Stick

EOSWU-W-EO - EnOcean® Occupancy Sensor – Wall Mount

- Wireless wall mounted occupancy sensor
- Solar powered - no batteries needed (coin battery operated in low light conditions)
- PIR motion sensor with both wide angle (50') and long range (100') options
- Mounting height: 6-8 feet

EOSCU-W-EO - EnOcean® Occupancy Sensor – Ceiling Mount

- Wireless ceiling mounted occupancy sensor
- Solar powered - no batteries needed (coin battery operated in low light conditions)
- PIR motion sensor with 360 degree viewing angle lens (34' diameter)
- Mounting height: 7-10 feet

EOSCU-W-EO - EnOcean® Light Level Sensor

- Light Level sensor that measures and reports the level of available natural light
- Solar powered - no batteries needed (coin battery operated in low light conditions)
- Enables implementation of daylight harvesting control systems
- Mounting position: At the ceiling, close to ambient light source

**Los Angeles Lighting Mfg. Co.**

Headquarters
10141 Olney Street
El Monte, CA 91731
Made in the USA

Contact Us
T: 626-454-8300
F: 626-454-8399
www.lalighting.com



Due to continued product improvements and enhancements, Los Angeles Lighting Manufacturing Company reserves the right to alter specifications, dimensions, data, and/or materials without notice. Please visit our website to view the most current information.

MADE IN THE U.S.A.

Revised 03-23-20

WARNING

OPTICAL OPTIONS

STANDARD LENSES FOR CIT100

DRFA	Impact Resistant Smooth Acrylic Frosted
FPC	Impact Resistant Polycarbonate Smooth Frosted

ADDITIONAL AVAILABLE LENSES

DRRFLR	Impact Resistant Ribbed Acrylic Frosted
PCRL	Impact Resistant Polycarbonate Clear Ribbed
PCRLFR	Impact Resistant Polycarbonate Ribbed Frosted
DRRL	Impact Resistant Clear Ribbed Acrylic
DRCA	Impact Resistant Smooth Acrylic
PC	Impact Resistant Polycarbonate Smooth

DRIVER OPTIONS

PLEASE CONSULT FACTORY TO SEE IF YOUR SELECTED DRIVER OPTION WORKS WITH THIS FIXTURE.

DRDM - UNV

* Normal Stock Item

VOLTAGE

- 120V** 120 Volt
- 277V** 277 Volt
- UNV*** Universal 120-277 Volt
- 347V** 347 Volt
- 480V** 480 Volt

DRIVER TYPE

- DRDM*** 0-10V Dimming Driver
- DR2W** 2-Wire Dimming Driver
- DRDA** Digital Addressable DALI Dimming Driver
- DRCR** Control Ready Driver
- DRSD** Step Dimming Driver
- DR(L3DA3W)** Lutron® 3-Wire 1% Dimming Driver
- DR(LTEA2W)** Lutron® 2-Wire 1% Dimming Driver (120V Forward Phase only)
- DR(LDE1)** Lutron® EcoSystem 1% Soft-On, Fade-to-Black™ Dimming Driver
- DR(LDE5)** Lutron® EcoSystem 5% Dimming Driver

BATTERY PACK OPTIONS

PLEASE CONSULT FACTORY TO SEE IF YOUR SELECTED BATTERY PACK OPTION WORKS WITH THIS FIXTURE.

LED EMERGENCY BATTERY PACKS (Operate for 90 minutes unless otherwise specified)

BPL

NOTE

(2h) 2 hours

LUMEN PACKAGE

- 0.7** Nominal 750 Lumens
- 1.5** Nominal 1500 Lumens
- 3.0** Nominal 3000 Lumens

*Additional lumen packages available

TYPE

- (Blank)** Normal Ambient Temp. / Standard Operation
- C** Cold Environment (-20°C)
- F** With Flex for Remote Mounting
- SL** Slim Casing
- ST** Self Test / Diagnostic

*Additional options available



Los Angeles Lighting Mfg. Co.
 Headquarters
 10141 Olney Street
 El Monte, CA 91731
 Made in the USA

Contact Us
 T: 626-454-8300
 F: 626-454-8399
 www.lalighting.com



Due to continued product improvements and enhancements, Los Angeles Lighting Manufacturing Company reserves the right to alter specifications, dimensions, data, and/or materials without notice. Please visit our website to view the most current information.

MADE IN THE U.S.A.

Revised 03-23-20

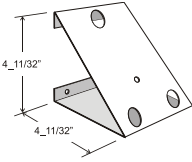
WARNING

ACCESSORIES



CIT1/SSMB

- Corrosion resistant stainless steel mounting bracket
- Two (2) brackets per set
- Fixture snaps securely into place (mounting method does not require stud in fixture)



45MB

- 45-Degree Mounting Bracket
- Designed for mounting lighting fixtures at 45° angle
- Two (2) brackets needed per fixture
- Ideal for wall or ceiling mount applications
- 18 ga. electro galvanized steel
- Baked white powder coated finish

Note: Must use with CIT1/SSMB



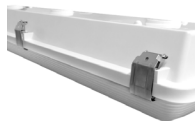
CIT/VH

- Corrosion resistant stainless steel V-hooks for chain mount applications
- Two (2) hooks per set
- Hooks work in conjunction with stainless steel mounting brackets (CIT1/SSMB) (mounting bracket sold separately)



CIT1/SSMBRM

- Stainless steel mounting bracket for 3/8" threaded rods
- Corrosion resistant stainless steel mounting bracket
- Two (2) brackets per set
- Fixture snaps securely into place (mounting method does not require stud in fixture)

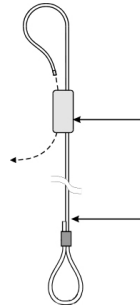


SSL

- Stainless steel latches
- Corrosion resistant stainless steel latches
- Eight (8) latches per set

CIT1/CS10

- Cable Suspension System
- Cable suspension system works in conjunction with stainless steel V-hooks (CIT1/SSV) and stainless steel mounting brackets (CIT1/SSMB)
- (2x) CIT1/SSV and (2x) CIT1/SSMB included with cable suspension system
- Two (2) cable suspension systems per set



Self-Locking Device

- Secures free end to ceiling member

10' Cable Standard

- One end free and the other end secured within fixture
- 100lbs. Work Load
- 500lbs. Break Load

Cable Suspension System

- See [Mechanical Options](#) for additional Cable Suspension Systems



Los Angeles Lighting Mfg. Co.

Headquarters
10141 Olney Street
El Monte, CA 91731
Made in the USA

Contact Us
T: 626-454-8300
F: 626-454-8399
www.lalighting.com



Due to continued product improvements and enhancements, Los Angeles Lighting Manufacturing Company reserves the right to alter specifications, dimensions, data, and/or materials without notice. Please visit our website to view the most current information.

MADE IN THE U.S.A.

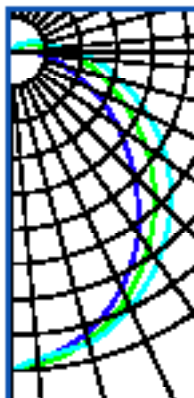
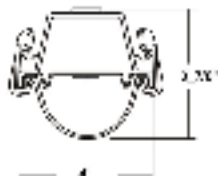
Revised 03-23-20

WARNING

PHOTOMETRIC DATA - CIT100 SERIES

CIT100-4-4L-DRFA-1DRDM-UNV-1/840

TEST NO.=LA-T3184
 LED TYPE=48 LED MODULE
 NO. OF MODULE=2
 SYSTEM WATT (W)=33.1
 CRI ≥ 80
 L70(Hrs.) ≥ 60,000
 PHOTOMETRY TYPE=C



CANDLEPOWER

ANGLE	END	45	CROSS
0	1105	1105	1105
5	1135	1152	1130
10	1069	1094	1104
20	986	999	1035
35	814	877	935
45	637	744	825
55	478	602	697
65	330	462	557
75	206	341	417
85	124	248	303
90	72	194	242
95	42	147	189
110	4	57	85
125	2	28	54
135	0	2	22
145	0	0	4
155	0	0	0
165	0	0	0
175	0	0	0
180	0	0	0

ZONAL LUMEN SUMMARY

DEGREES	LUMENS	% LAMP	% FOOTC
0-30	880	20.8	22.5
0-60	1431	33.4	36.6
0-90	2536	69.2	64.9
0-90	3569	83.3	91.4
90-120	300.1	7.0	7.6
90-180	334.7	7.8	8.5
90-180	334.7	7.8	8.5
0-180	3905	91.1	100.00

Luminous Output= 3905 lumens

Luminous Efficacy = 117.9 lm/W

SPACING CRITERION

ALONG	ACROSS
1.13	1.25



LOS ANGELES LIGHTING MFG. CO.

10141 OLNEY ST. / EL MONTE, CA 91731

TEL 626-454-8300 | FAX 626-454-8399

www.lalighting.com