

CIT100/200 LED SERIES

FULLY ENCLOSED AND GASKETED WET LOCATION
LED LUMINAIRES WITH CORD AND PLUG

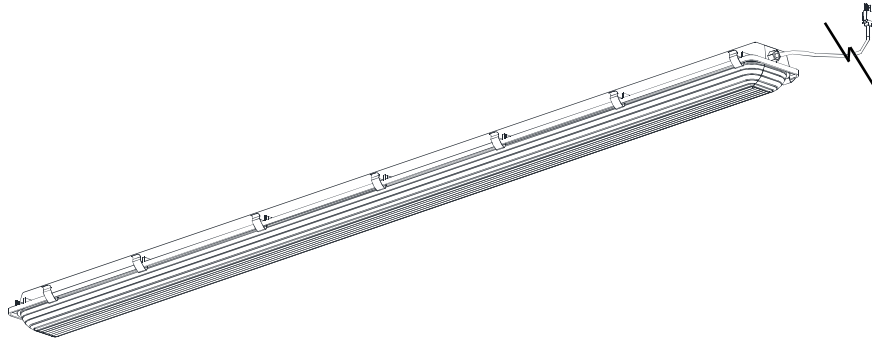
WARNING

RISK OF FIRE AND ELECTRIC SHOCK.
THIS PRODUCT IS TO BE INSTALLED BY
A QUALIFIED ELECTRICIAN ONLY.

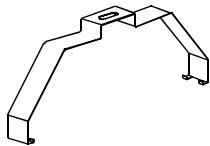
12-2018

PARTS CHECK LIST

• Fixture **x 1**



• 2', 4' 5' & 8' Fixture
Stainless Steel Mounting Bracket **x 2**



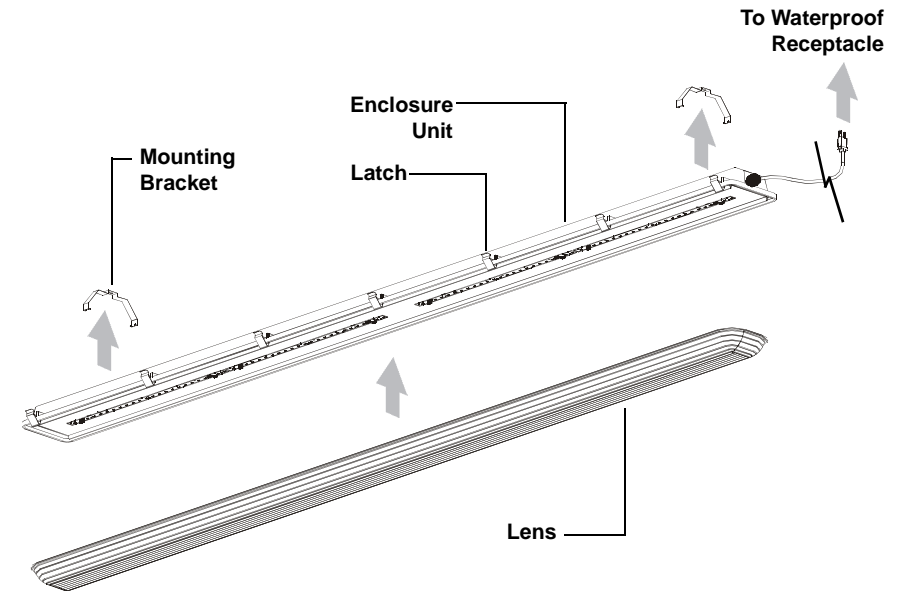
• Installation instructions **x 1**



Los Angeles Lighting Mfg. Co.
10141 OLNEY ST. / EL MONTE, CA 91731
Tel : 626-454-8300 Fax : 626-454-8399
www.lalighting.com

INSTALLATION INSTRUCTIONS

Fixtures are mounted by provided stainless steel mounting brackets without violating watertight integrity.



Step1

Secure stainless steel mounting brackets to the mounting surface. The brackets can also be attached to chains or 1/4" threaded rods.

Step2

Remove the lens from the enclosure unit.

Step3

Press the fixture housing into the mounting brackets, make sure both side of the fixture edges are firmly grabbed by the brackets.

Step4

Re-install the lens, make sure all eight latches are tighten.

Step5

Connect power, water protection of the plug and the connection between plug & receptacle are not automatic, A waterproof enclosure for plug and receptacle is required. The receptacle has to be located above the lighting fixtures.