



RETROFIT SOLUTION LED

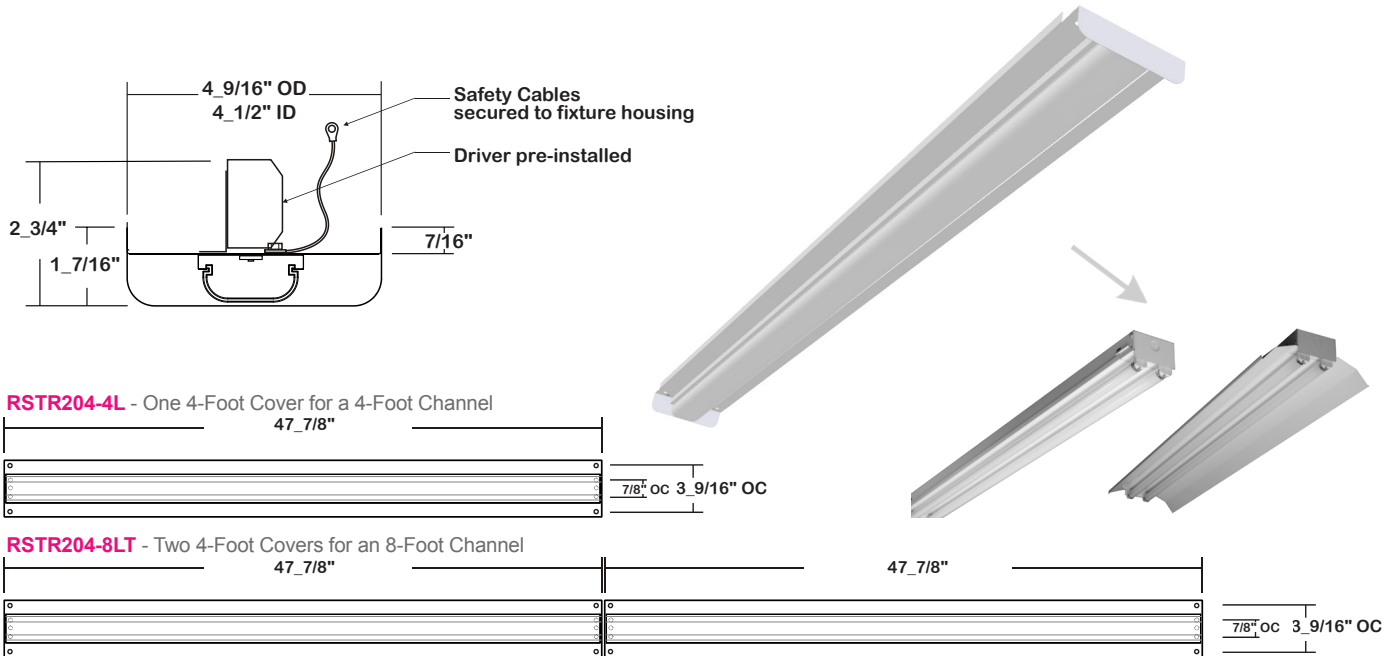
RSTR204 (4" WIDE) SERIES

NOMINAL 4" WIDE STRIP LIGHT RETROFIT SOLUTION

DATE	
JOB	

WWW.LALIGHTING.COM
626-454-8300

EASILY CONVERTS EXISTING NOMINAL 4" WIDE FLUORESCENT STRIPS TO LED LUMINAIRES



FEATURES

- LED retrofit solution for fluorescent strip light luminaires from nominal 4" to 4_7/16" wide
- 0-10V dimming driver standard
- Includes easy-to-read installation instructions
- Pre-punched holes to install the necessary hardware and wiring
- Safety cables pre-installed
- Driver pre-installed for ease of installation
- Supports California Title 24 compliance

OPTIONS

- **High (HT)** ambient temperature version for extreme temperature ranges
- Full customization available upon request
- Additional lumen packages and color temperatures available
- Wireless control options available
- Emergency battery pack available
- Frosted acrylic lens available
- Tunable white available (2700K-6500K)
- Painted after fabrication available

SPECIFICATIONS

CONSTRUCTION

- 22 ga. cold rolled steel LED cover tray
- LED cover tray to be secured to the host fixture with provided screws

FINISH

- Baked white polyester finish
- Minimum reflectance 86%

OPTICAL

- Frosted white acrylic lens

LISTING

- UL USA and Canada listed

ELECTRICAL

- High efficiency drivers coupled with long-life LEDs
- Service life greater than 50,000 hours (L70)
- Universal voltage 120V through 277V (347V / 480V available)
- LED light engine is pre-wired with a quick connector for easy connection
- Driver-disconnect is provided for disconnecting the electrical supply conductors to the LED driver
- Power Factor (PF) ≥ 0.9
- Total Harmonic Distortion (THD) ≤ 20%

WARRANTY

- 5-Year limited warranty standard. 10-Year limited warranty also available



Los Angeles Lighting Mfg. Co.

Contact Us
 T: 626-454-8300 10141 Olney Street
 F: 626-454-8399 El Monte, CA 91731
 www.lalighting.com Made in the USA



Due to continued product improvements and enhancements, Los Angeles Lighting Manufacturing Company reserves the right to alter specifications, dimensions, data, and/or materials without notice. Please visit our website to view the most current information.

© 2022 LOS ANGELES LIGHTING MANUFACTURING CO. ALL RIGHTS RESERVED.

Revised: 03/05/24



ORDERING INFORMATION

EXAMPLE: RSTR204-4-4L-FRWA-DRDM-UNV-1/840

RETROFIT SERIES	LED LUMEN PACKAGE	EFFICACY	NOMINAL LENGTH	OPTICAL	MECHANICAL	ELECTRICAL	DRIVER	VOLTAGE	# OF LED ROW	CRI / CCT
RSTR204							DRDM	UNV	1	
RSTR204 Nominal 4" Wide Strip Light Fluorescent Fixture to LED Luminaire Retrofit Solution (Normal Ambient Temperature Version)	2 Nom. 2000 Lumens 4 Nom. 4000 Lumens 6 Nom. 6000 Lumens 8 Nom. 8000 Lumens 12 Nom. 12000 Lumens 16 Nom. 16000 Lumens *Additional Lumen Packages Available	(Blank) Standard HE High Efficacy (Only 2000-4L / 4000-4L / 6000-4L lumens Systems)	4L 4' (one 4-foot cover for a 4-foot channel) (Only 2000 / 4000 / 6000 / 8000 lumens Systems) 8LT 8' (two 4-foot covers for an 8-foot channel) (Only 4000 / 8000 / 12000 / 16000 lumens Systems)	FRWA Frosted White Acrylic FRA Frosted Acrylic	PAF Painted After Fabrication, Minimum Reflectance 90% *Leave Blank if Not Specified	BPL1.5 1500lm Emergency Battery Pack WLC(LED RU) EnOcean Wireless Control *Leave Blank if Not Specified <u>Additional Electrical Options</u>	DRDM 0-10V Dimming Driver	UNV 120V-277V	1 One LED Row	830 80+CRI / 3000K Color Temp. 835 80+CRI / 3500K Color Temp. 840 80+CRI / 4000K Color Temp. 850 80+CRI / 5000K Color Temp. *Additional Color Temp. Available
Standard options for RSTR204 shown above. For additional options, including lumen packages, controls, lenses, switches, finishes, and more, visit www.lalighting.com/resources or contact customer service.										

RETROFIT SERIES	LED LUMEN PACKAGE	NOMINAL LENGTH	OPTICAL	MECHANICAL	ELECTRICAL	DRIVER	VOLTAGE	# OF LED ROW	CRI / CCT	AMBIENT TEMP.
RSTR204						DRDM	UNV	1		HT
RSTR204 Nominal 4" Wide Strip Light Fluorescent Fixture to LED Luminaire Retrofit Solution (HT - High Ambient Temperature Version)	12 Nom. 12000 Lumens 16 Nom. 16000 Lumens *Additional Lumen Packages Available	8LT 8' (two 4-foot covers for an 8-foot channel)	FRWA Frosted White Acrylic FRA Frosted Acrylic	PAF Painted After Fabrication, Minimum Reflectance 90% *Leave Blank if Not Specified	BPL1.5 1500lm Emergency Battery Pack WLC(LED RU) EnOcean Wireless Control *Leave Blank if Not Specified <u>Additional Electrical Options</u>	DRDM 0-10V Dimming Driver	UNV 120V-277V	1 One LED Row	835 80+CRI / 3500K Color Temp. 840 80+CRI / 4000K Color Temp. 850 80+CRI / 5000K Color Temp. *Additional Color Temp. Available	HT High Ambient Temp.



Los Angeles Lighting Mfg. Co.
 Contact Us
 T: 626-454-8300
 F: 626-454-8399
www.lalighting.com
 10141 Olney Street
 El Monte, CA 91731
 Made in the USA



Due to continued product improvements and enhancements, Los Angeles Lighting Manufacturing Company reserves the right to alter specifications, dimensions, data, and/or materials without notice. Please visit our website to view the most current information.

© 2022 LOS ANGELES LIGHTING MANUFACTURING CO. ALL RIGHTS RESERVED.

Revised: 03/05/24



MADE IN THE USA
 BAA Compliant

SYSTEM DATA

THESE ARE THE MOST POPULAR LUMEN PACKAGES. PLEASE CONSULT FACTORY FOR ADDITIONAL SYSTEM DATA.

LED LUMEN PACKAGE	NORMAL AMBIENT TEMPERATURE PRODUCT CODE	DELIVERED LUMENS**	SYSTEM WATTS	LUMINAIRE EFFICACY	AMBIENT TEMP.	FLUORESCENT EQUIVALENT	IES FILES
2000 Lumens (Nominal)	RSTR204-2-4L-FRWA-DRDM-UNV-1/840	1905 lm	15.7 W	121.2 lm/W	-20°C / 35°C	1-F32T8	* *
4000 Lumens (Nominal)	RSTR204-4-4L-FRWA-DRDM-UNV-1/840	3639 lm	33.1 W	109.8 lm/W	-20°C / 35°C	2-F32T8, 1-F54T5HO	LA-T3351 *
6000 Lumens (Nominal)	RSTR204-6-4L-FRWA-DRDM-UNV-1/840	5202 lm	52.3 W	99.4 lm/W	-20°C / 35°C	3-F32T8	* *
8000 Lumens (Nominal)	RSTR204-8-4L-FRWA-DRDM-UNV-1/840	7032 lm	53.0 W	132.7 lm/W	-20°C / 35°C	4-F32T8, 2-F54T5HO	* *

LED LUMEN PACKAGE	NORMAL AMBIENT TEMPERATURE (HIGH EFFICACY) PRODUCT CODE	DELIVERED LUMENS**	SYSTEM WATTS	LUMINAIRE EFFICACY	AMBIENT TEMP.	FLUORESCENT EQUIVALENT	IES FILES
2000 Lumens (Nominal)	RSTR204-2HE-4L-FRWA-DRDM-UNV-1/840	1911 lm	12.6 W	152.1 lm/W	-20°C / 35°C	1-F32T8	* *
4000 Lumens (Nominal)	RSTR204-4HE-4L-FRWA-DRDM-UNV-1/840	3396 lm	23.2 W	146.5 lm/W	-20°C / 35°C	2-F32T8, 1-F54T5HO	* *
6000 Lumens (Nominal)	RSTR204-6HE-4L-FRWA-DRDM-UNV-1/840	5130 lm	36.8 W	137.4 lm/W	-20°C / 35°C	3-F32T8	* *

NOTE:

System data is based on 120V input voltage. Actual performance may differ as a result of end-user environment and application.

** As tested in a host fixture with a smooth frosted white acrylic lens

This fixture has been tested and listed in accordance with UL Standards. L.A. Lighting certifies that it will operate safely when installed properly, and within an ambient temperature range noted in the system data table.

Additional lumen packages and color temperatures available.



Los Angeles Lighting Mfg. Co.
 Contact Us
 T: 626-454-8300
 F: 626-454-8399
 www.lalighting.com
 10141 Olney Street
 El Monte, CA 91731
 Made in the USA



Due to continued product improvements and enhancements, Los Angeles Lighting Manufacturing Company reserves the right to alter specifications, dimensions, data, and/or materials without notice. Please visit our website to view the most current information.

© 2022 LOS ANGELES LIGHTING MANUFACTURING CO. ALL RIGHTS RESERVED.

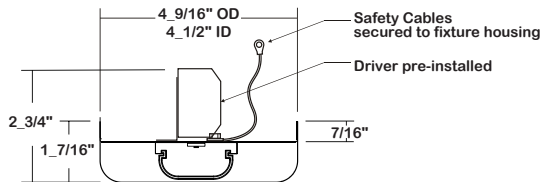
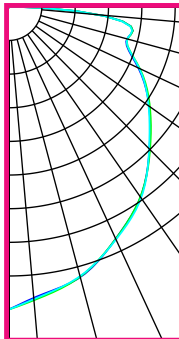
Revised: 03/05/24



PHOTOMETRIC DATA - RSTR204 SERIES

RSTR204-4-4L-FRWA-DRDM-UNV-1/840

TEST NO.=LA-T3351
 HOST FIXTURE=KDS200 with Smooth Frosted White Acrylic Lens
 LED TYPE=48 LED MODULE
 NO. OF MODULE=4
 SYSTEM WATT (W)=44.7
 CRI ≥ 80
 L70(Hrs.) ≥ 50,000
 PHOTOMETRY TYPE=C



CANDLEPOWER

ANGLE	END	45	CROSS
0	1452	1452	1452
5	1410	1417	1413
15	1356	1354	1352
25	1241	1238	1249
35	1111	1122	1120
45	974	977	973
55	840	838	837
65	700	704	702
75	598	599	598
85	446	448	448
90	46	47	46
95	0	0	0
115	0	0	0
125	0	0	0
135	0	0	0
145	0	0	0
155	0	0	0
165	0	0	0
175	0	0	0
180	0	0	0

ZONAL LUMEN SUMMARY

DEGREES	LUMENS	% LAMP	% FIXTURE
0-30	1094	18	22
0-40	1797	29	36
0-60	3304	53	66
0-90	5013	80	100
90-120	13	0	0
90-150	13	0	0
90-180	13	0	0
0-180	5025	81	100

Luminaire Output = 5025.3 lumens
 Luminaire Efficacy = 112.4 lm/W

SPACING CRITERION

ALONG	ACROSS
1.20	1.21

