



SECURITY

BCL 100

WET LOCATION CANOPY LUMINAIRE

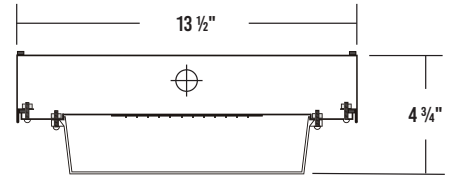


JOB	
TYPE	
DATE	

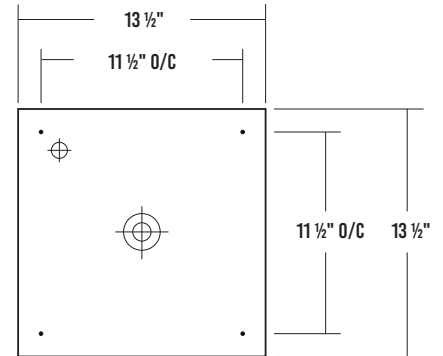
SURFACE MOUNTED



CROSS SECTION



BACKPLATE



- 3/16" MTG. K.O.
- 7/8" OFFSET K.O.
- 2" K.O.

SPECIFICATIONS

CONSTRUCTION

- 20 gauge electro-galvanized steel construction
- Neoprene gasketing on rear of housing
- Aluminum heat sink
- Stainless steel screws
- Two side knockouts for 1/2" conduit (knockouts on opposite sides of fixture)

FINISH

- Painted after fabrication
- Baked white powder-coated finish
- Minimum reflectance 90%

OPTICAL

- Injection-molded polycarbonate lens

ELECTRICAL

- High-efficiency drivers coupled with long-life LEDs
- Service life tested at 148,000 hours (L70), 42,000 hours (L90)
- Universal voltage 120V through 277V (347V / 480V available)
- Emergency battery pack available

LISTING

- UL USA and Canada listed / suitable for damp locations

WARRANTY

- 5-Year limited warranty standard. 10-Year limited warranty also available

APPLICATIONS

- Canopies, Covered Outdoor Areas, Stairwells, Pedestrian Tunnels

FEATURES

- 0-10V Dimming driver standard
- Wet Location (UL Listed with sprinkler test)
- Supports California Title 24 compliance

OPTIONS

- Sensors and controls
- Custom housing colors
- Tamper-proof screws
- 15" square mounting plate
- Emergency battery pack
- 10 kV surge protector
- Full 90 Degree Cutoff to prevent light leakage
- Customization available upon request



Los Angeles Lighting Mfg. Co.
 Contact Us
 T: 626-454-8300 10141 Olney Street
 F: 626-454-8399 El Monte, CA 91731
 www.lalighting.com Made in the USA



Due to continued product improvements and enhancements, Los Angeles Lighting Manufacturing Company reserves the right to alter specifications, dimensions, data, and/or materials without notice. Please visit our website to view the most current information.

© 2024 LOS ANGELES LIGHTING MANUFACTURING CO. ALL RIGHTS RESERVED.



MADE IN THE USA
 BABA/BAA Compliant

Revised: 09/09/25

ORDERING INFORMATION

ADDITIONAL OPTIONS AVAILABLE. VISIT WWW.LALIGHTING.COM/RESOURCES FOR MORE INFORMATION

EXAMPLE: BCL100-4-1L-DRDM-UNV-1/840

SERIES	NOMINAL LED LUMENS	NOMINAL LENGTH	COLOR	MECHANICAL	CONTROLS	ELECTRICAL	DRIVER	VOLTAGE	# OF LED ROWS	CRI / CCT
BCL100		1L							1	
BCL100 • Wet Location Canopy Luminaire	2 - 2000lm 3 - 3000lm 4 - 4000lm 6 - 6000lm 8 - 8000lm	1L • 1'	(Blank) • Standard White BLK • Matte Black BZ • Bronze CS • Camaro Silver	TP • Tamper-Proof Screws DSA • Full 90° Cutoff *Leave blank if not specified	MSH • Microwave Motion Sensor - On/Off MSHSD • Microwave Motion Sensor - High/Low PCS/SH • Photocell Sensor - On/Off with Light Shield WLC(LED RU) • EnOcean® LED Relay Zone Controller *Leave blank if not specified	BPL1.5 • 1500 lm emergency battery pack SP10 • 10 kV Surge Protector *Leave blank if not specified	DRDM • 0-10V Dimming Driver DRSD • Step Dimming Driver DR2W • 120V 2-Wire Phase Dimming Driver (Must Specify 120V in Voltage Column)	UNV • 120V-277V 120V • 120 Volt 277V • 277 Volt 347V • 347 Volt 480V • 480 Volt	1 • One LED Row	830 • 80+CRI / 3000K 835 • 80+CRI / 3500K 840 • 80+CRI / 4000K 850 • 80+CRI / 5000K <i>Contact customer service for additional CRI/CCT packages, including 90 CRI</i>

Most common options for BCL100 shown above. For additional options, including lumen packages, controls, lenses, colors/finishes, cord & plug, switches, and more visit www.lalighting.com/resources or contact customer service.

SENSORS AND CONTROLS

HIGH FREQUENCY (MICROWAVE) MOTION SENSORS

Detects movement through low density materials, including polycarbonate, acrylic and glass diffusers.

MSH - Microwave Motion Sensor – On/Off

- Turns luminaire on/off in response to motion

MSHSD - Microwave Motion Sensor – High/Low

- Increases/decreases illumination in response to motion

PHOTOCELLS

Senses ambient light levels. Typically used to hold luminaire OFF during daytime hours.

PCS / SH - Photocell Sensor – On/Off with Light Shield

- Turns luminaire on/off in response to ambient light levels
- Includes adjustable Light Shield

WIRELESS CONTROLS

WLC(LED RU) - EnOcean® LED Relay Zone Controller

- Pre-installed inside luminaire
- Can support a single luminaire or multiple daisy-chained luminaires

Notes

1. MSH and MSHSD sensors are installed behind the fixture lens. The PCS/SH button-style sensor is mounted on the housing. For PIR sensors or other options, contact Customer Service.
2. For microwave motion sensing with photocell, specify both sensors. For example: MSH/ PCS/SH.



Los Angeles Lighting Mfg. Co.
 Contact Us
 T: 626-454-8300 10141 Olney Street
 F: 626-454-8399 El Monte, CA 91731
www.lalighting.com Made in the USA



Due to continued product improvements and enhancements, Los Angeles Lighting Manufacturing Company reserves the right to alter specifications, dimensions, data, and/or materials without notice. Please visit our website to view the most current information.

© 2024 LOS ANGELES LIGHTING MANUFACTURING CO. ALL RIGHTS RESERVED.



Revised: 09/09/25

MECHANICAL OPTIONS

Pre-installed mechanical options are ordered by adding the suffix to the luminaire description:

Example: BCL100-4-1L-DSA-DRDM-UNV-1/840

TP - Tamper-Proof Screws

- 8x hex pin stainless steel tamper-proof screws



DSA - Full 90 Degree Cutoff

- Full 90 Degree Cutoff prevents light leakage above 90 degrees from ground
- Ideal for use in sites close to residential areas and other light-sensitive locations
- 20 gauge electro-galvanized steel construction, welded to housing
- May restrict field of view of microwave sensors



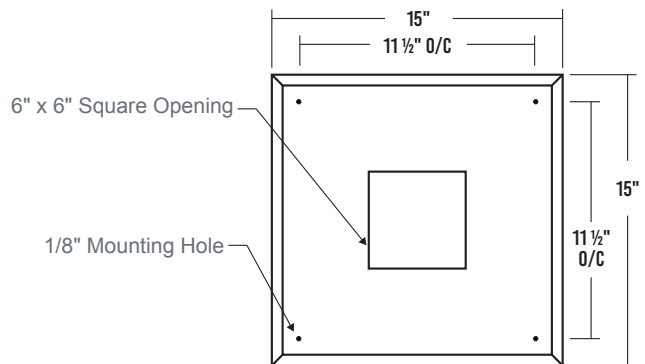
MOUNTING HARDWARE

Mounting accessories are ordered separately from luminaire

MP1515 - Mounting Plate

Item Number: 650340

- Optional 15" x 15" mounting plate to cover holes or damage to ceiling
- 18 gauge electrogalvanized steel
- Includes all necessary hardware to attach luminaire to mounting plate



Los Angeles Lighting Mfg. Co.
 Contact Us
 T: 626-454-8300 10141 Olney Street
 F: 626-454-8399 El Monte, CA 91731
 www.lalighting.com Made in the USA



Due to continued product improvements and enhancements, Los Angeles Lighting Manufacturing Company reserves the right to alter specifications, dimensions, data, and/or materials without notice. Please visit our website to view the most current information.

© 2024 LOS ANGELES LIGHTING MANUFACTURING CO. ALL RIGHTS RESERVED.



Revised: 09/09/25

SYSTEM DATA

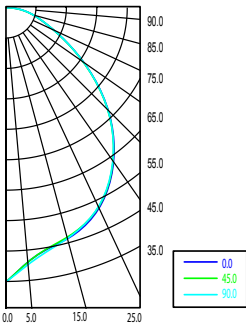
1' - LED LUMEN PACKAGE	NORMAL AMBIENT TEMPERATURE PRODUCT CODE	DELIVERED LUMENS	SYSTEM WATTS	LUMINAIRE EFFICACY	AMBIENT TEMP.	FLUORESCENT EQUIVALENT	IES FILES
2000 Lumens (Nominal)	BCL100-2-1L-DRDM-UNV- 1/840	2377	17.4	136.6 lm/W	-20°C / 35°C (-4°F / 95°F)	2-13WCFL	*
3000 Lumens (Nominal)	BCL100-3-1L-DRDM-UNV-1/840	3452	24.8	139.1 lm/W	-20°C / 35°C (-4°F / 95°F)	2-26WCFL	*
4000 Lumens (Nominal)	BCL100-4-1L-DRDM-UNV-1/840	4612	32.6	141.7 lm/W	-20°C / 35°C (-4°F / 95°F)	2-32WCFL	*
6000 Lumens (Nominal)	BCL100-6-1L-DRDM-UNV-1/840	6054	48.1	125.8 lm/W	-20°C / 35°C (-4°F / 95°F)	4-26WCFL, 2-57WCFL	*
8000 Lumens (Nominal)	BCL100-8-1L-DRDM-UNV-1/840	7858	64.9	121.1 lm/W	-20°C / 35°C (-4°F / 95°F)	4-32WCFL, 2-70WCFL, 1-175W HID	*

NOTE:
System data as of 3/29/23.
Subject to change without notice.

System data is based on 120V input voltage. Actual performance may differ as a result of end-user environment and application. This fixture has been tested and listed in accordance with UL Standards. L.A. Lighting certifies that it will operate safely when installed properly, and within an ambient temperature range noted in the system data table.

Additional lumen packages and color temperatures available.

PHOTOMETRIC DATA



BCL100-2-1L-DRDM-UNV-1/840
TEST NO. = LA-T3548
LED TYPE = 6" x 6" LED MODULE
NO. OF MODULE = 1
SYSTEM WATT (W) = 18.1
CRI ≥ 80
L70(Hrs.) ≥ 50,000
PHOTOMETRY TYPE = C

ZONAL LUMEN SUMMARY			
DEGREES	LUMENS	% LAMP	% FIXTURE
0-30	672	24.5	38.1
0-40	1045	42.7	59.3
0-60	1568	64.2	89.1
0-90	1761	72.1	100.0
90-120	0.3	0.0	0.0
90-150	0.0	0.0	0.0
90-180	0.0	0.0	0.0
0-180	1761	72.1	100.0

SPACING CRITERION	
ALONG	ACROSS
0.79	0.78

Luminaire Output = 1761.20 lumens
 Luminaire Efficacy = 138.90 lm/W
 Luminaire Efficiency = 72.06%



Los Angeles Lighting Mfg. Co.
 Contact Us
 T: 626-454-8300 10141 Olney Street
 F: 626-454-8399 El Monte, CA 91731
 www.lalighting.com Made in the USA



Due to continued product improvements and enhancements, Los Angeles Lighting Manufacturing Company reserves the right to alter specifications, dimensions, data, and/or materials without notice. Please visit our website to view the most current information.

© 2024 LOS ANGELES LIGHTING MANUFACTURING CO. ALL RIGHTS RESERVED.



Revised: 09/09/25