



# RECESSED LED

## GFF 106 (4FT)

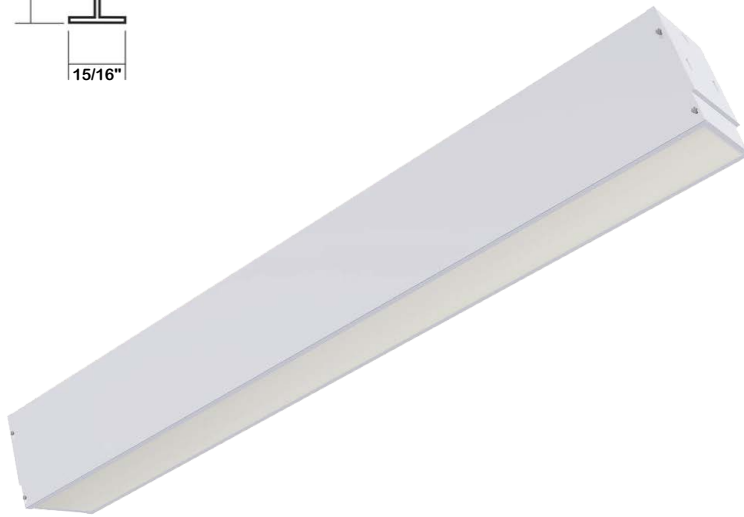
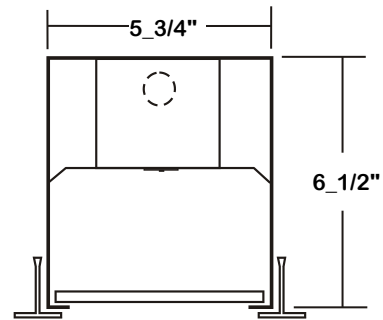
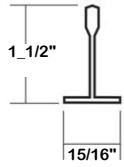
SERIES (2' AND 8' AVAILABLE)  
FRAMELESS FLAT GRID LUMINAIRE

DATE	
JOB	

WWW.LALIGHTING.COM  
626-454-8300

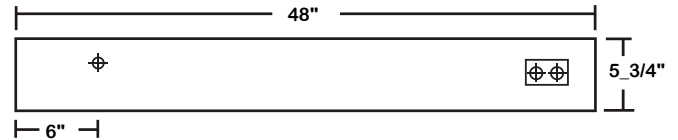
### RECESSED MOUNTED LED LUMINAIRE FOR INVERTED T-BAR CEILINGS

### DIMENSIONS



#### ACCESS PLATE

7/8" K.O.



### APPLICATIONS

- Commercial, Office

### FEATURES

- 0-10V dimming driver standard
- Supports California Title 24 compliance

### OPTIONS

- Full customization available upon request
- Additional lumen packages and color temperatures available
- Wireless control options available
- Variety of lenses available
- Emergency battery pack available

### SPECIFICATIONS

#### CONSTRUCTION

- 22 ga. cold rolled steel welded housing (20 ga. housing available as specified)
- Frameless lens

#### FINISH

- Baked white polyester finish (powder coated finish available) / minimum reflectance 86%

#### OPTICAL

- Flat Frosted White Acrylic Lens

#### ELECTRICAL

- High efficiency drivers coupled with long-life LEDs
- Service life greater than 50,000 hours (L70)
- Universal voltage 120V through 277V (347V / 480V available) • Power Factor (PF) ≥ 0.9
- Total Harmonic Distortion (THD) ≤ 20%

#### LISTING

- UL USA and Canada listed / suitable for damp locations

#### WARRANTY

- 5-Year limited warranty standard. 10-Year limited warranty also available



Los Angeles Lighting Mfg. Co.

Contact Us  
T: 626-454-8300 10141 Olney Street  
F: 626-454-8399 El Monte, CA 91731  
www.lalighting.com Made in the USA



Due to continued product improvements and enhancements, Los Angeles Lighting Manufacturing Company reserves the right to alter specifications, dimensions, data, and/or materials without notice. Please visit our website to view the most current information.

© 2022 LOS ANGELES LIGHTING MANUFACTURING CO. ALL RIGHTS RESERVED.

Revised: 03/26/24



MADE IN THE USA  
BAA Compliant

ORDERING INFORMATION

EXAMPLE: GFF106-4-4L-FFWA-BPL1.5-DRDM-UNV-1/840

SERIES	LED LUMEN PACKAGE	EFFICACY	NOMINAL LENGTH	OPTICAL	ELECTRICAL	DRIVER	VOLTAGE	# OF LED ROW	CRI / CCT
<b>GFF106</b>			<b>4L</b>			<b>DRDM</b>	<b>UNV</b>	<b>1</b>	
<b>GFF106</b> Frameless Flat Grid LED Luminaire	2 Nom. 2000 Lumens 4 Nom. 4000 Lumens 6 Nom. 6000 Lumens 8 Nom. 8000 Lumens  *Additional Lumen Packages Available	(Blank) Standard  <b>HE</b> High Efficacy (Only 2000 / 4000 / 6000 lumens Systems)	<b>4L</b> 4'	<b>PA</b> Clear Prismatic Acrylic  <b>FFWA</b> Flat Frosted White Acrylic  <b>FPA2</b> Frosted Clear Prismatic Acrylic, Nom. 0.125	<b>BPL1.5</b> 1500lm Emergency Battery Pack  <b>WLC(LED RU)</b> EnOcean Wireless Control  *Leave Blank if Not Specified  Additional Electrical Options	<b>DRDM</b> 0-10V Dimming Driver	<b>UNV</b> 120V-277V	<b>1</b> One LED Row	<b>830</b> 80+CRI / 3000K Color Temp.  <b>835</b> 80+CRI / 3500K Color Temp.  <b>840</b> 80+CRI / 4000K Color Temp.  <b>850</b> 80+CRI / 5000K Color Temp.  *Additional Color Temp. Available
Standard options for GFF106 shown above. For additional options, including lumen packages, controls, lenses, switches, finishes, and more, visit <a href="http://www.lalighting.com/resources">www.lalighting.com/resources</a> or contact customer service.									

SYSTEM DATA

THESE ARE THE MOST POPULAR LUMEN PACKAGES. PLEASE CONSULT FACTORY FOR ADDITIONAL SYSTEM DATA.

LED LUMEN PACKAGE	NORMAL AMBIENT TEMPERATURE PRODUCT CODE	DELIVERED LUMENS	SYSTEM WATTS	LUMINAIRE EFFICACY	AMBIENT TEMP.	FLUORESCENT EQUIVALENT	IES FILES
2000 Lumens (Nominal)	GFF106-2-4L-PA-DRDM-UNV-1/840	1443 lm	15.7 W	91.7 lm/W	-20°C / 35°C	1-F32T8	*
4000 Lumens (Nominal)	GFF106-4-4L-PA-DRDM-UNV-1/840	2756 lm	33.1 W	83.2 lm/W	-20°C / 35°C	2-F32T8, 1-F54T5HO	<a href="#">LA-T3314</a>
6000 Lumens (Nominal)	GFF106-6-4L-PA-DRDM-UNV-1/840	3939 lm	52.3 W	75.3 lm/W	-20°C / 35°C	3-F32T8	*
8000 Lumens (Nominal)	GFF106-8-4L-PA-DRDM-UNV-1/840	5144 lm	50.9 W	101.1 lm/W	-20°C / 35°C	4-F32T8, 2-F54T5HO	*

LED LUMEN PACKAGE	NORMAL AMBIENT TEMPERATURE (HIGH EFFICACY) PRODUCT CODE	DELIVERED LUMENS	SYSTEM WATTS	LUMINAIRE EFFICACY	AMBIENT TEMP.	FLUORESCENT EQUIVALENT	IES FILES
2000 Lumens (Nominal)	GFF106-2HE-4L-PA-DRDM-UNV-1/840	1389 lm	12.0 W	115.4 lm/W	-20°C / 35°C	1-F32T8	*
4000 Lumens (Nominal)	GFF106-4HE-4L-PA-DRDM-UNV-1/840	2736 lm	24.8 W	110.3 lm/W	-20°C / 35°C	2-F32T8, 1-F54T5HO	*
6000 Lumens (Nominal)	GFF106-6HE-4L-PA-DRDM-UNV-1/840	3984 lm	37.9 W	105.2 lm/W	-20°C / 35°C	3-F32T8	*

NOTE:

System data is based on 120V input voltage. Actual performance may differ as a result of end-user environment and application.

This fixture has been tested and listed in accordance with UL Standards. L.A. Lighting certifies that it will operate safely when installed properly, and within an ambient temperature range noted in the system data table.

Additional lumen packages and color temperatures available.



Los Angeles Lighting Mfg. Co.

Contact Us  
T: 626-454-8300 10141 Olney Street  
F: 626-454-8399 El Monte, CA 91731  
www.lalighting.com Made in the USA



Due to continued product improvements and enhancements, Los Angeles Lighting Manufacturing Company reserves the right to alter specifications, dimensions, data, and/or materials without notice. Please visit our website to view the most current information.

© 2022 LOS ANGELES LIGHTING MANUFACTURING CO. ALL RIGHTS RESERVED.

Revised: 03/26/24



MADE IN THE USA  
BAA Compliant

**OPTICAL OPTIONS**

**STANDARD LENSES FOR GFF106**

<b>PA</b>	Clear Prismatic Acrylic, No Thickness Specified, Female Prisms 3/16 Square Base
<b>FFWA</b>	Flat Frosted White Acrylic
<b>FPA2</b>	Frosted Prismatic Acrylic, Nom. 0.125 OA Thickness, Female Prisms 3/16 Square Base



**Los Angeles Lighting Mfg. Co.**  
 Contact Us  
 T: 626-454-8300 10141 Olney Street  
 F: 626-454-8399 El Monte, CA 91731  
 www.lalighting.com Made in the USA



Due to continued product improvements and enhancements, Los Angeles Lighting Manufacturing Company reserves the right to alter specifications, dimensions, data, and/or materials without notice. Please visit our website to view the most current information.

© 2022 LOS ANGELES LIGHTING MANUFACTURING CO. ALL RIGHTS RESERVED.

Revised: 03/26/24

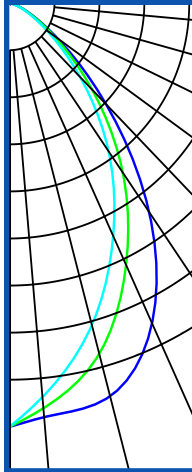
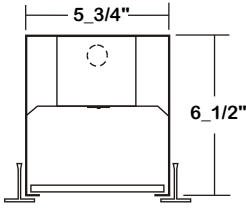


**MADE IN THE USA**  
 BAA Compliant

**PHOTOMETRIC DATA - GFF106 SERIES - 4'**

**GFF106-4-4L-PA-DRDM-UNV-1/840**

TEST NO. = LA-T3314  
 LED TYPE = 48 LED MODULE  
 NO. OF MODULE = 2  
 SYSTEM WATT (W) = 33.1  
 CRI = >80  
 L70(Hrs.) = 50,000  
 PHOTOMETRY TYPE = C



**CANDLEPOWER**

ANGLE	END	45	CROSS
0	1996	1996	1996
5	1958	1916	1863
15	1917	1711	1570
25	1664	1361	1210
35	1201	975	853
45	674	577	493
55	288	264	225
65	102	94.8	84.9
75	29.0	25.6	23.8
85	3.95	3.14	2.72
90	0.15	0.09	0.09
95	0	0	0
105	0	0	0
115	0	0	0
125	0	0	0
135	0	0	0
145	0	0	0
155	0	0	0
165	0	0	0
175	0	0	0
180	0	0	0

**ZONAL LUMEN SUMMARY**

DEGREES	LUMENS	% LAMP	% FIXTURE
0-30	1360	30.82	47.92
0-40	1949	45.49	70.74
0-60	2632	61.43	95.51
0-90	2755	64.32	100.00
90-120	0.03	0.00	0.00
90-150	0.03	0.00	0.00
90-180	0.03	0.00	0.00
0-180	2755	64.32	100.00

Luminaire Output = 2755.3 lumens  
 Luminaire Efficacy = 83.24 lm/W

**SPACING CRITERION**

ALONG	ACROSS
1.13	0.88

