



SURFACE MOUNT

ANG205

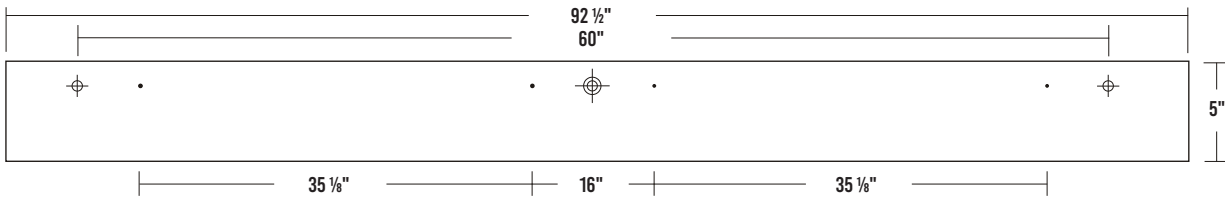
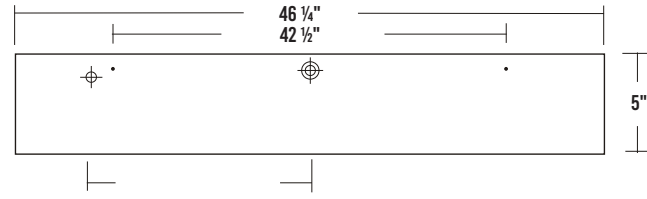
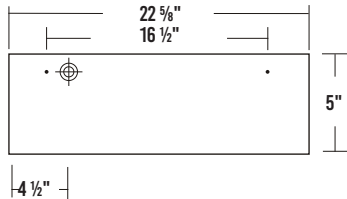
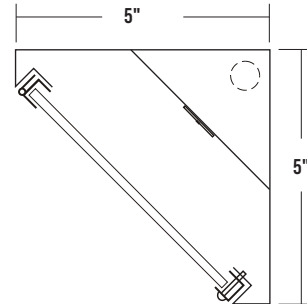
SERIES 2FT, 4FT, 8FT
® MINIATURE ANGLED LUMINAIRE

JOB	
TYPE	
DATE	

LALIGHTING.COM 626-454-8300

SURFACE / CORNER / WALL / CEILING MOUNTED LED LUMINAIRE

DIMENSIONS



SPECIFICATIONS

CONSTRUCTION

- 20 ga. cold rolled steel welded housing

FINISH

- Baked white powder coated finish
- Welded and painted after fabrication
- Minimum reflectance 90%

OPTICAL

Clear prismatic acrylic lens

ELECTRICAL

- High efficiency drivers coupled with long-life LEDs
- Service life tested at 50,000 hours (L70)
- Universal voltage 120V~277V (347V/480V available)
- Power Factor (PF) ≥ 0.9
- Total Harmonic Distortion (THD) ≤ 20%

LISTING

- UL USA and Canada listed
- Suitable for damp locations

WARRANTY

- 5-year limited warranty
- 10-year limited warranty available

APPLICATIONS

- Retail, Corridor, Dormitory, Extended Care Facilities, Commercial

FEATURES

- 0-10V Dimming driver standard
- Supports California Title 24 compliance
- Full length piano Hinge and captive screws

OPTIONS

- Controls
- Lenses
- Tamper proof screws
- Custom housing colors
- Emergency battery pack
- Tunable white (2700K – 6500K)
- Customization available upon request

CUSTOM COLORS

BLK - Matte Black

CS - Camaro Silver

BZ - Statuary Bronze

 Variety of RAL colors available upon request.



Los Angeles Lighting Mfg. Co.
Contact Us
T: 626-454-8300 10141 Olney Street
F: 626-454-8399 El Monte, CA 91731
www.lalighting.com Made in the USA



Due to continued product improvements and enhancements, Los Angeles Lighting Manufacturing Company reserves the right to alter specifications, dimensions, data, and/or materials without notice. Please visit our website to view the most current information.

© 2024 LOS ANGELES LIGHTING MANUFACTURING CO. ALL RIGHTS RESERVED.

Revised 08/12/25



MADE IN THE USA
BABA/BAA Compliant

ORDERING INFORMATION

ADDITIONAL OPTIONS AVAILABLE. VISIT WWW.LALIGHTING.COM/RESOURCES FOR MORE INFORMATION

EXAMPLE: ANG205-4-4L-PA-BPL1.5-DRDM-UNV-1/840

SERIES	NOMINAL LED LUMENS	EFFICACY	NOMINAL LENGTH	COLOR	OPTICAL	MECHANICAL	CONTROLS	ELECTRICAL	DRIVER	VOLTAGE	# OF LED ROW	CRI / CCT
ANG205											1	
ANG205 • Miniature angled luminaire	2ft 1 - 1000lm 2 - 2000lm 3 - 3000lm 4 - 4000lm 4ft 2 - 2000lm 4 - 4000lm 6 - 6000lm 8 - 8000lm 8ft 4 - 4000lm 8 - 8000lm 12 - 12000lm 16 - 16000lm *Contact customer service for additional lumen packages	(Blank) • Standard HE • High Efficacy HE Packages 2ft • 1000lm • 2000lm • 3000lm 4ft • 2000lm • 4000lm • 6000lm 8ft • 8000lm • 12000lm *HE cannot be combined with HT systems	2L • 2ft 4L • 4ft 8L • 8ft	BLK • Black BZ • Bronze CS • Camaro Silver *Contact factory for additional color options *Leave blank if not specified	PA Clear Prismatic Acrylic PA2 Clear Prismatic Acrylic, Nom. 0.125 FPA2 Frosted Prismatic Acrylic DRP2 High Impact Clear Prismatic Acrylic *Contact customer service for additional lens options	TP • Stainless Steel Tamper Proof Screws *Leave blank if not specified	WLC(xx) • Wireless Control *Contact factory for additional sensor options	BPL1.5 • Emergency Battery Pack • 1500 lm *Contact customer service for additional electrical options *Leave blank if not specified	DRDM • 0-10V Dimming Driver *Contact customer service for additional driver options	UNV • 120V - 277V 120V • 120 Volt 277V • 277 Volt 347V • 347 Volt 480V • 480 Volt *Contact customer service for additional voltage options	1 • 1 LED Row	830 • 80+CRI / 3000K 835 • 80+CRI / 3500K 840 • 80+CRI / 4000K 850 • 80+CRI / 5000K 8TW • Tunable White 827 to 865 • Contact factory regarding lumen packages *Contact customer service for available additional options for CRI & CCT

OPTICAL OPTIONS

STANDARD LENSES FOR ANG205

PA	Clear Prismatic Acrylic, No Thickness Specified, Female Prisms 3/16 Square Base, Pattern 12
-----------	---

ADDITIONAL LENSES FOR ANG205

PA2	Clear Prismatic Acrylic, Nom. 0.125 OA Thickness, Female Prisms 3/16 Square Base, Pattern 12
FPA2	Frosted Prismatic Acrylic, Nom. 0.125 OA Thickness, Female Prisms 3/16 Square Base, Pattern 12
DRP2	High Impact Clear Prismatic Acrylic, Nom. 0.125 OA Thickness, Female Prisms 3/16 Square Base, Pattern 12

MECHANICAL OPTIONS

TAMPER PROOF SCREWS

TP
 • Hex Pin Stainless Steel Tamper Proof Screws



Los Angeles Lighting Mfg. Co.
 Contact Us
 T: 626-454-8300
 F: 626-454-8399
www.lalighting.com
 10141 Olney Street
 El Monte, CA 91731
 Made in the USA



Due to continued product improvements and enhancements, Los Angeles Lighting Manufacturing Company reserves the right to alter specifications, dimensions, data, and/or materials without notice. Please visit our website to view the most current information.

© 2024 LOS ANGELES LIGHTING MANUFACTURING CO. ALL RIGHTS RESERVED.

Revised 08/12/25



MADE IN THE USA
 BAA/BABA Compliant

SYSTEM DATA: Additional Lumen Packages Available. Contact Customer Service for More Information

Normal Temp	2'	LED LUMEN PACKAGE	NORMAL AMBIENT TEMPERATURE PRODUCT CODE	DELIVERED LUMENS	SYSTEM WATTS	LUMINAIRE EFFICACY	AMBIENT TEMP.	FLUORESCENT EQUIVALENT	IES FILES
		1000 Lumens (Nominal)	ANG205-1-2L-PA-DRDM-UNV-1/840	872	7.3	119.7 lm/W	-20°C / 35°C (-4°F / 95°F)	1x F17T8	*
		2000 Lumens (Nominal)	ANG205-2-2L-PA-DRDM-UNV-1/840	1432	12.4	115.8 lm/W	-20°C / 35°C (-4°F / 95°F)	1x F24T5HO 2x F17T8	*
		3000 Lumens (Nominal)	ANG205-3-2L-PA-DRDM-UNV-1/840	2249	20.3	110.8 lm/W	-20°C / 35°C (-4°F / 95°F)	3x F17T8	*
		4000 Lumens (Nominal)	ANG205-4-2L-PA-DRDM-UNV-1/840	2777	25.8	107.8 lm/W	-20°C / 35°C (-4°F / 95°F)	2x F24T5HO 4x F17T8	*

Normal Temp High Efficacy	2'	LED LUMEN PACKAGE	NORMAL AMBIENT TEMPERATURE (HIGH EFFICACY) PRODUCT CODE	DELIVERED LUMENS	SYSTEM WATTS	LUMINAIRE EFFICACY	AMBIENT TEMP.	FLUORESCENT EQUIVALENT	IES FILES
		1000 Lumens (Nominal)	ANG205-1HE-2L-PA-DRDM-UNV-1/840	886	7.2	123.3 lm/W	-20°C / 35°C (-4°F / 95°F)	1x F17T8	*
		2000 Lumens (Nominal)	ANG205-2HE-2L-PA-DRDM-UNV-1/840	1460	12.1	120.8 lm/W	-20°C / 35°C (-4°F / 95°F)	1x F24T5HO 2x F17T8	*
		3000 Lumens (Nominal)	ANG205-3HE-2L-PA-DRDM-UNV-1/840	2307	19.6	117.7 lm/W	-20°C / 35°C (-4°F / 95°F)	3x F17T8	*

Normal Temp	4'	LED LUMEN PACKAGE	NORMAL AMBIENT TEMPERATURE PRODUCT CODE	DELIVERED LUMENS	SYSTEM WATTS	LUMINAIRE EFFICACY	AMBIENT TEMP.	FLUORESCENT EQUIVALENT	IES FILES
		2000 Lumens (Nominal)	ANG205-2-4L-PA-DRDM-UNV-1/840	1432	12.1	118.5 lm/W	-20°C / 35°C (-4°F / 95°F)	1x F32T8	*
		4000 Lumens (Nominal)	ANG205-4-4L-PA-DRDM-UNV-1/840	2811	24.7	113.6 lm/W	-20°C / 35°C (-4°F / 95°F)	1x F54T5HO 2x F32T8	*
		6000 Lumens (Nominal)	ANG205-6-4L-PA-DRDM-UNV-1/840	4149	37.9	109.5 lm/W	-20°C / 35°C (-4°F / 95°F)	3x F32T8	*
		8000 Lumens (Nominal)	ANG205-8-4L-PA-DRDM-UNV-1/840	5448	51.5	105.7 lm/W	-20°C / 35°C (-4°F / 95°F)	2x F54T5HO 4x F32T8	*

Normal Temp High Efficacy	4'	LED LUMEN PACKAGE	NORMAL AMBIENT TEMPERATURE (HIGH EFFICACY) PRODUCT CODE	DELIVERED LUMENS	SYSTEM WATTS	LUMINAIRE EFFICACY	AMBIENT TEMP.	FLUORESCENT EQUIVALENT	IES FILES
		2000 Lumens (Nominal)	ANG205-2HE-4L-PA-DRDM-UNV-1/840	1455	11.9	121.9 lm/W	-20°C / 35°C (-4°F / 95°F)	1x F32T8	*
		4000 Lumens (Nominal)	ANG205-4HE-4L-PA-DRDM-UNV-1/840	2864	24.2	118.5 lm/W	-20°C / 35°C (-4°F / 95°F)	1x F54T5HO 2x F32T8	*
		6000 Lumens (Nominal)	ANG205-6HE-4L-PA-DRDM-UNV-1/840	4252	36.7	115.9 lm/W	-20°C / 35°C (-4°F / 95°F)	3x F32T8	*

Normal Temp	8'	LED LUMEN PACKAGE	NORMAL AMBIENT TEMPERATURE PRODUCT CODE	DELIVERED LUMENS	SYSTEM WATTS	LUMINAIRE EFFICACY	AMBIENT TEMP.	FLUORESCENT EQUIVALENT	IES FILES
		4000 Lumens (Nominal)	ANG205-4-8L-PA-DRDM-UNV-1/840	2864	24.2	118.5 lm/W	-20°C / 35°C (-4°F / 95°F)	2x F32T8	*
		8000 Lumens (Nominal)	ANG205-8-8L-PA-DRDM-UNV-1/840	5621	49.5	113.6 lm/W	-20°C / 35°C (-4°F / 95°F)	2x F54T5HO 4x F32T8	*
		12000 Lumens (Nominal)	ANG205-12-8L-PA-DRDM-UNV-1/840	8298	75.8	109.5 lm/W	-20°C / 35°C (-4°F / 95°F)	6x F32T8 2x F96T8HO	*
		16000 Lumens (Nominal)	ANG205-16-8L-PA-DRDM-UNV-1/840	10896	103.1	105.7 lm/W	-20°C / 35°C (-4°F / 95°F)	4x F54T5HO 8x F32T8	*

Normal Temp High Efficacy	8'	LED LUMEN PACKAGE	NORMAL AMBIENT TEMPERATURE (HIGH EFFICACY) PRODUCT CODE	DELIVERED LUMENS	SYSTEM WATTS	LUMINAIRE EFFICACY	AMBIENT TEMP.	FLUORESCENT EQUIVALENT	IES FILES
		8000 Lumens (Nominal)	ANG205-8HE-8L-PA-DRDM-UNV-1/840	5447	45.8	118.9 lm/W	-20°C / 35°C (-4°F / 95°F)	2x F54T5HO 4x F32T8	*
		12000 Lumens (Nominal)	ANG205-12HE-8L-PA-DRDM-UNV-1/840	8228	70.8	116.3 lm/W	-20°C / 35°C (-4°F / 95°F)	6x F32T8 2x F96T8HO	*

NOTE:
 System data as of 08/12/25 (K-Boards when applicable).
 Luminaire efficiency: 2' luminaire- 68.5%; 4' luminaire- 67.2%; 8' luminaire- 67.2%
 Subject to change without notice.
 System data is based on 120V input voltage. Actual performance may differ as a result of end-user environment and application. This fixture has been tested and listed in accordance with UL Standards.
 L.A. Lighting certifies that it will operate safely when installed properly, and within an ambient temperature range noted in the system data table.
 Additional lumen packages and color temperatures available.



Los Angeles Lighting Mfg. Co.
 Contact Us
 T: 626-454-8300
 F: 626-454-8399
 www.lalighting.com
 10141 Olney Street
 El Monte, CA 91731
 Made in the USA



Due to continued product improvements and enhancements, Los Angeles Lighting Manufacturing Company reserves the right to alter specifications, dimensions, data, and/or materials without notice. Please visit our website to view the most current information.

© 2024 LOS ANGELES LIGHTING MANUFACTURING CO. ALL RIGHTS RESERVED.

Revised 08/12/25



MADE IN THE USA
 BAA/BABA Compliant

CONTROL OPTIONS



enocean

WLC(LED RU) - EnOcean® LED Relay Zone Controller

- Supports a single LED fixture or multiple daisy chained LED fixtures
- Module installed inside lighting fixture

ESRPU-W-EO - EnOcean® Rocker Switch – Single – Surface Mount

- Wireless single rocker switch with mounting plate
- No batteries needed

EDRPU-W-EO - EnOcean® Rocker Switch – Double – Surface Mount

- Wireless double rocker switch with mounting plate
- No batteries needed

S3054-N300 - EnOcean® Navigan NWC 300U – Commissioning Tool

- Navigan Wireless Commissioner is used to configure EnOcean controllers & sensors
- It can be used to define link tables, change parameters/settings, & to edit & store projects
- Configuration settings can be saved & cloned to enable quick configuration
- Connectivity is through the NWC 300U USB Stick

EOSWU-W-EO - EnOcean® Occupancy Sensor – Wall Mount

- Wireless wall mounted occupancy sensor
- Solar powered - no batteries needed (coin battery operated in low light conditions)
- PIR motion sensor with both wide angle (50ft) and long range (100ft) options
- Mounting height: 6-8ft

EOSCU-W-EO - EnOcean® Occupancy Sensor – Ceiling Mount

- Wireless ceiling mounted occupancy sensor
- Solar powered - no batteries needed (coin battery operated in low light conditions)
- PIR motion sensor with 360° viewing angle lens (34' diameter)
- Mounting height: 7-10ft

ELLSU-W-EO - EnOcean® Light Level Sensor – Ceiling Mount

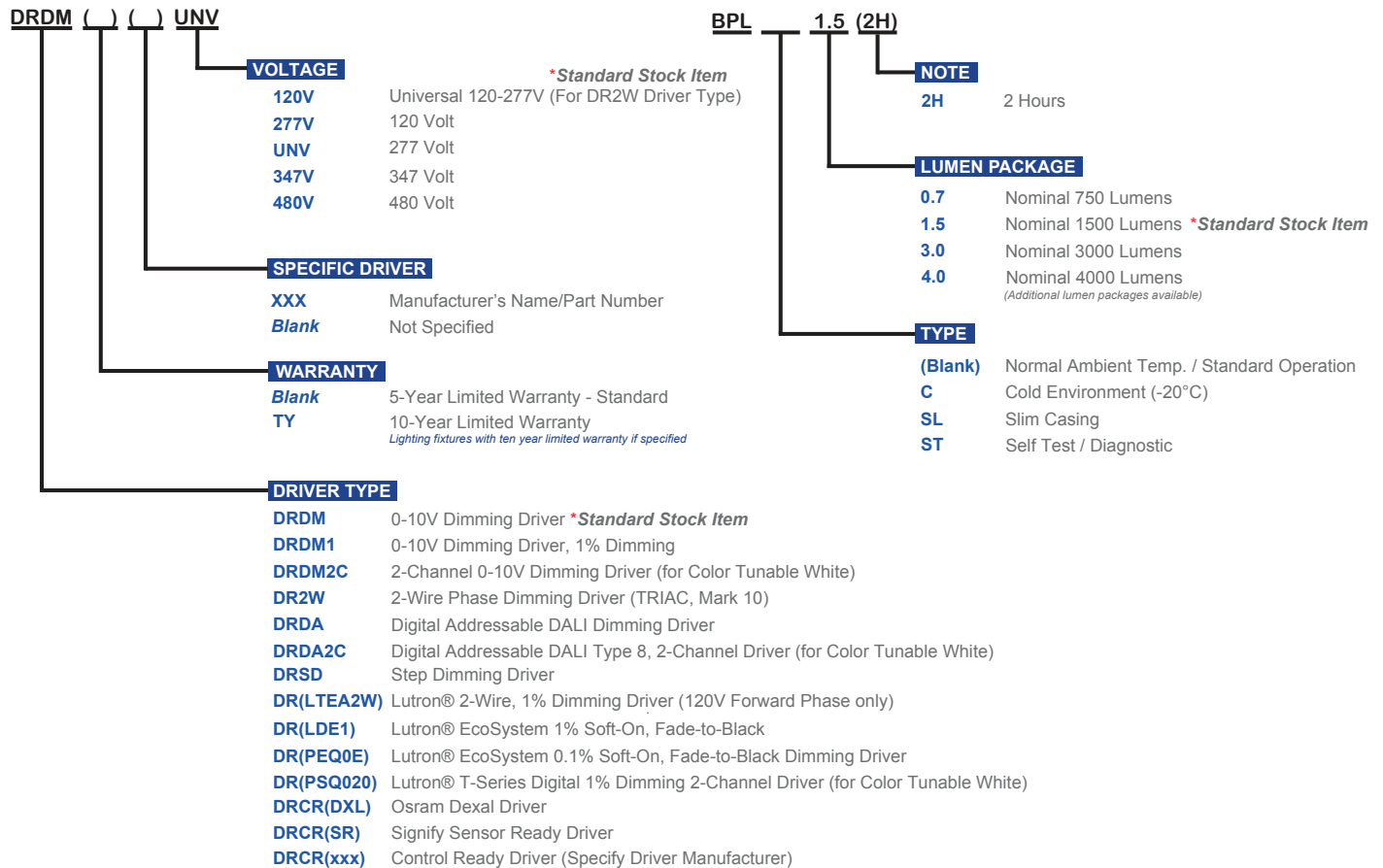
- Light Level sensor that measures and reports the level of available natural light
- Solar powered - no batteries needed (coin battery operated in low light conditions)
- Enables implementation of daylight harvesting control systems
- Mounting position: At the ceiling, close to ambient light source

DRIVER OPTIONS

PLEASE CONSULT FACTORY TO SEE IF YOUR SELECTED DRIVER OPTION WORKS WITH THIS FIXTURE

PLEASE CONSULT FACTORY TO SEE IF YOUR SELECTED BATTERY OPTION WORKS WITH THIS FIXTURE

LED EMERGENCY BATTERY PACKS
(Operates for 90 minutes unless otherwise specified)



Los Angeles Lighting Mfg. Co.

Contact Us
T: 626-454-8300 10141 Olney Street
F: 626-454-8399 El Monte, CA 91731
www.lalighting.com Made in the USA



Due to continued product improvements and enhancements, Los Angeles Lighting Manufacturing Company reserves the right to alter specifications, dimensions, data, and/or materials without notice. Please visit our website to view the most current information.

© 2024 LOS ANGELES LIGHTING MANUFACTURING CO. ALL RIGHTS RESERVED.

Revised 08/12/25



MADE IN THE USA
BAA/BABA Compliant