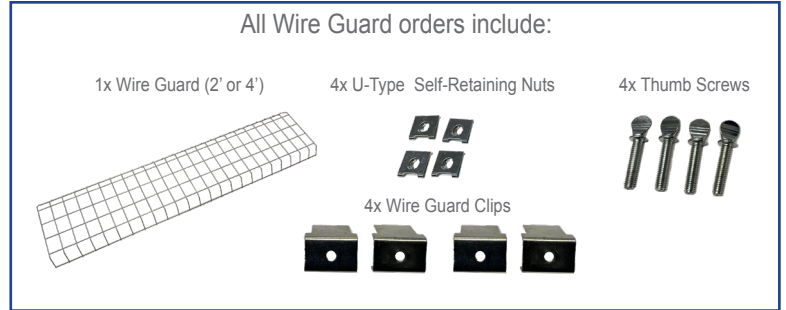


HBN100/200

Wire Guard Installation Instructions

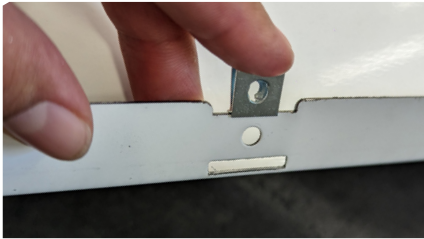
Wire Guard Number	Luminaire	Length
WG11-HBN100-2L	HBN100 (LED)	2'
WG11-HBN100-4L	HBN100 (LED)	4'
WG11-HBN100-4	HBN100 (Fluo/LED Tube)	4'
WG11-HBN200-4	HBN200	4'

Note: 8' Luminaires require two 4' wire guards.



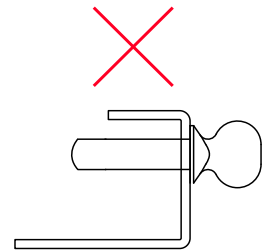
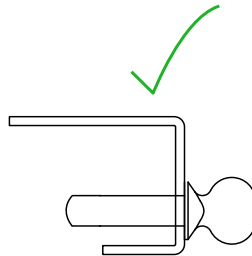
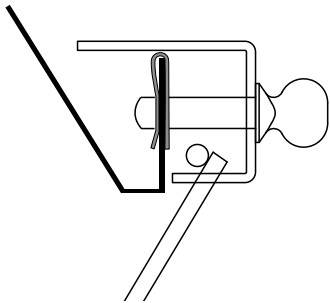
STEP 1

Install self-retaining nuts in grooves along sides of luminaire housing. Flat surface of nut must face outside, and holes in nuts must align with holes in housing.



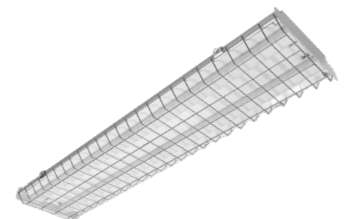
STEP 2

Align wire guard clips to luminaire housing, making sure the long side of the clip is positioned closer to the upper (closed) side of the housing.



STEP 3

Install the wire guard under the wire guard clip and tighten thumb screws until the wire guard is firmly secured to the housing. Make sure wire guard is positioned inside ends of housing.



Wire guard installed on 4' HBN100

Los Angeles Lighting Mfg. Co. assumes no responsibility for claims arising out of improper or careless handling or installation of this product.



Los Angeles Lighting Mfg. Co.
 10141 OLNEY ST. / EL MONTE, CA 91731
 Tel : 626-454-8300 Fax : 626-454-8399 www.lalighting.com

Revised: 05/08/24

