



# RECESSED FLUO FPA310

® RECESSED FLANGED PARABOLIC LUMINAIRE

JOB	
TYPE	
DATE	

WWW.LALIGHTING.COM TEL: 626-454-8300

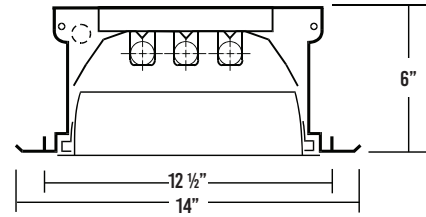
## RECESSED FLANGED PARABOLIC TROFFER

## DIMENSIONS



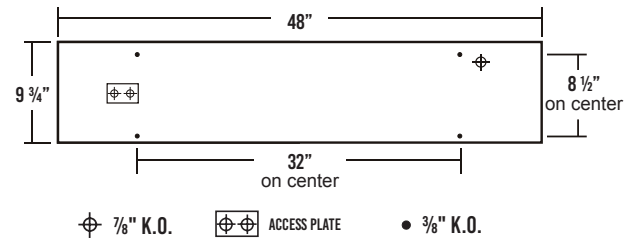
Overall Dimensions Including Flange: 14" x 50"  
Required Ceiling Opening: 12 1/2" x 48 1/2"

### CROSS SECTION



3 lamp rows shown. 1 and 2 rows also available.

### BACKPLATE



### S6 LOUVER CONFIGURATION



## SPECIFICATIONS

### CONSTRUCTION

- 22 gauge cold-rolled steel housing
- One piece welded trim flange
- Semi-specular, low iridescent aluminum louvers
- Louvers secured to housing with T-hinges and latches

### FINISH

- Baked white polyester finish
- Minimum reflectance 86%
- Trim flange painted after fabrication

### OPTICAL

- Nominal 3" deep aluminum parabolic louvers

### LISTING

- UL USA and Canada Listed. Compatible with UL Fire-Rated Ceiling Assemblies.

### WARRANTY

- 5-Year limited warranty standard. 10-Year limited warranty also available

## APPLICATIONS

- Classrooms, Offices, Retail

## FEATURES

- Recessed flanged luminaire for hard ceilings

## OPTIONS CONTACT CUSTOMER SERVICE FOR ADDITIONAL OPTIONS

- Emergency battery packs
- 20 gauge housing
- Sensors and controls
- White louvers
- Customization available upon request



Los Angeles Lighting Mfg. Co.

Contact Us  
T: 626-454-8300  
F: 626-454-8399  
www.lalighting.com  
10141 Olney Street  
El Monte, CA 91731  
Made in the USA



Due to continued product improvements and enhancements, Los Angeles Lighting Manufacturing Company reserves the right to alter specifications, dimensions, data, and/or materials without notice. Please visit our website to view the most current information.

© 2023 LOS ANGELES LIGHTING MANUFACTURING CO. ALL RIGHTS RESERVED.

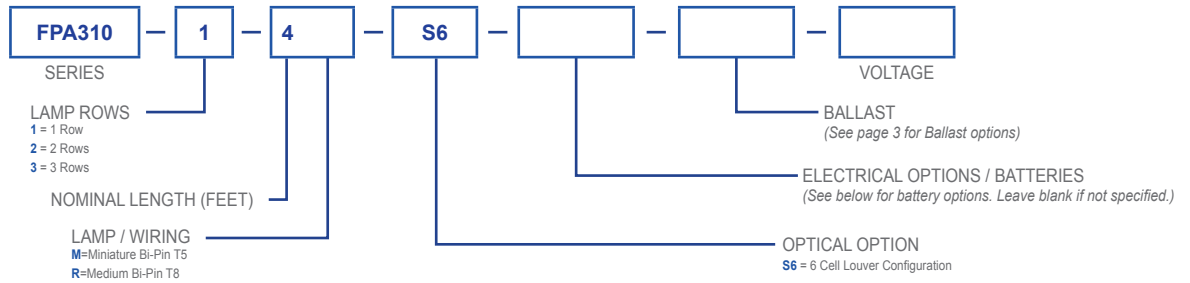
Revised: 06/06/23



**ORDERING INFORMATION**

ADDITIONAL OPTIONS AVAILABLE. VISIT [WWW.LALIGHTING.COM/RESOURCES](http://WWW.LALIGHTING.COM/RESOURCES) FOR MORE INFORMATION

**FLUORESCENT PRODUCT PART # NOMENCLATURE**



**BATTERY PACK OPTIONS**

**FLUORESCENT EMERGENCY BATTERY PACKS (Minimum 90-minute operation)**

**BATTERY PACK REFERENCE CHART**

To determine the suffix used when ordering (either BP1, BP5, or BP5B), first find your lamp type, length, and number of lamps required in emergency mode, then select your desired lumen output.

Lamp Type	Length	# Of Lamps in EM Mode	Emergency Output	
			500lm	1400lm
F28T5	4ft	1		BP5
F54T5HO (49W)	4ft	1		BP5
F54T5HO	4ft	1		BP5
F54T5HO	4ft	2		BP5B
F32T8 (25W)	4ft	1	BP1	BP5
F32T8 (28W)	4ft	1	BP1	BP5
F32T8 (28W)	4ft	2		BP5B
F32T8 (30W)	4ft	1	BP1	BP5
F32T8	4ft	1	BP1	BP5
F32T8	4ft	2		BP5B

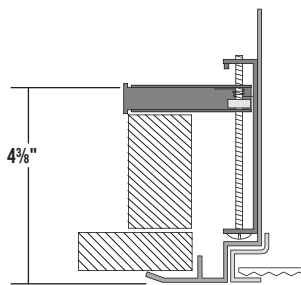
**MOUNTING OPTIONS**

**FPA310 MOUNTING OPTIONS**

**SWING-OUT JACK**

- Spring-loaded adjustable mounting bracket for mounting in drywall or plaster type ceiling
- Four (4) per set; 1 set required per fixture

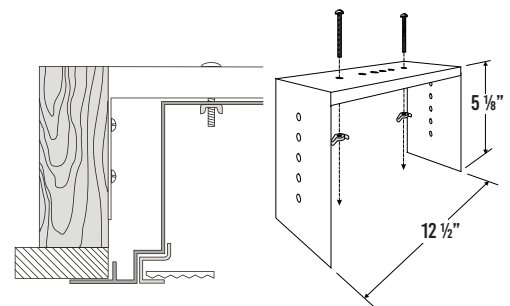
Catalog No. **SOJ**



**HANGER YOKE**

- 1/4"-20 x 2 1/2" machine screws secure hanger yoke to fixture through knockouts in top of housing
- Two hanger yokes required for each 4' fixture.
- Hanger yoke dimensions 5 1/8"H x 12 1/2" W

Catalog No. **HS-12 1/2**



**Los Angeles Lighting Mfg. Co.**  
Contact Us  
T: 626-454-8300  
F: 626-454-8399  
www.lalighting.com

10141 Olney Street  
El Monte, CA 91731  
Made in the USA



Due to continued product improvements and enhancements, Los Angeles Lighting Manufacturing Company reserves the right to alter specifications, dimensions, data, and/or materials without notice. Please visit our website to view the most current information.

© 2023 LOS ANGELES LIGHTING MANUFACTURING CO. ALL RIGHTS RESERVED.

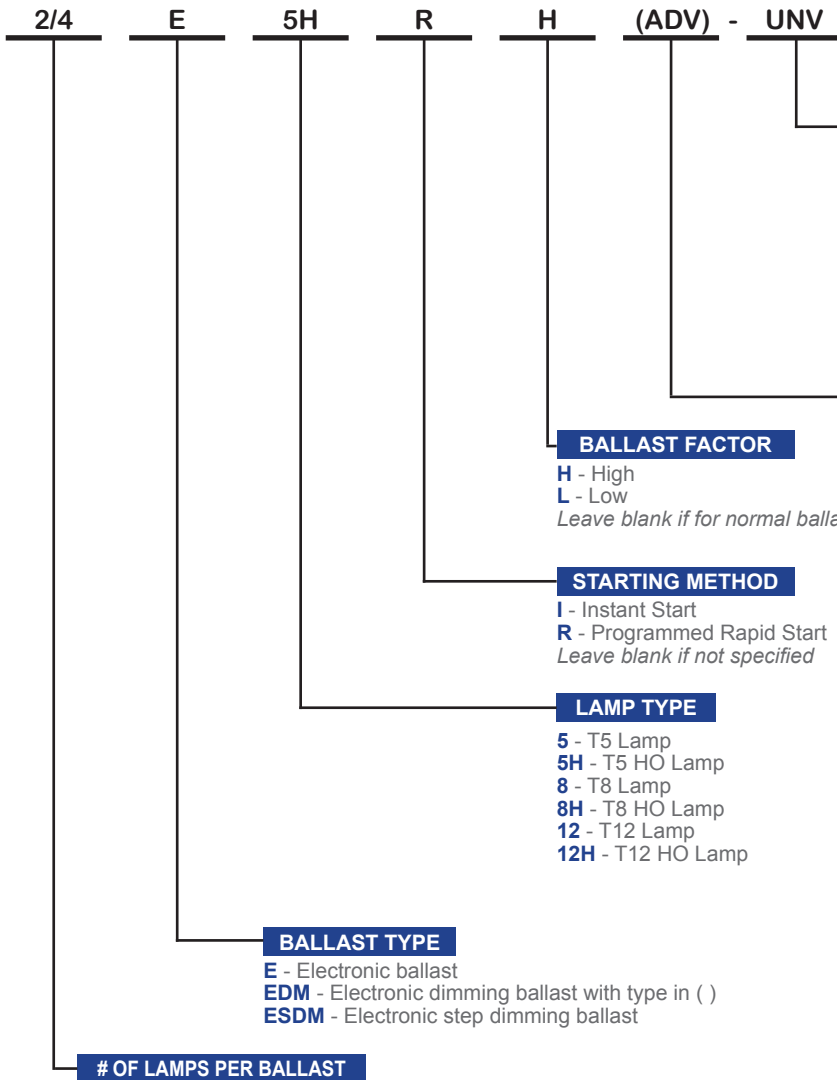
Revised: 06/06/23



**MADE IN THE USA**  
BAA Compliant

**BALLAST OPTIONS**

**FLUORESCENT BALLAST OPTIONS**



**# OF LAMPS PER BALLAST**

- 1**
  - One 1-lamp ballast when ordering a 1-lamp fixture
  - Two 1-lamp ballasts when ordering a 2-lamp fixture
- 2**
  - One 2-lamp ballast when ordering a 2-lamp fixture
  - Two 2-lamp ballasts when ordering a 4-lamp fixture
- 3**
  - One 3-lamp ballast when ordering a 3-lamp fixture
  - Two 3-lamp ballasts when ordering a 6-lamp fixture
- 1/2**
  - One 1-lamp ballast and one 2-lamp ballast for a 3-lamp fixture
- 4**
  - One 4-lamp ballast when ordering a 4-lamp fixture
  - Two 4-lamp ballasts when ordering a 8-lamp fixture
- 2/4**
  - One 2-lamp ballast and one 4-lamp ballast for a 6-lamp fixture

**VOLTAGE**

- UNV** - Universal 120-277 Volt (Standard)
- 120V** - 120 Volt (for line voltage dimming)
- 277V** - 277 Volt (for line voltage dimming)
- 347V** - 347 Volt
- 480V** - 480 Volt

**OTHER SPECIFICATION**

Leave blank if not specified

**BY COMPANY NAME:**

- (ADV)** - Advance/Signify
- (GE)** - GE Current
- (OPT)** - Optotronic/Acuity

**BY BALLAST TYPE:**

- (ICN)** - Advance ICN
- (IOP)** - Advance IOP
- (MAX)** - GE Ultra Max
- (QTP)** - Optotronic QTP
- (QHE)** - Optotronic QHE

**BY REQUIREMENT:**

- (USA)** - Buy America
- (CEE)** - Consortium for Energy Efficiency

**BY DIMMING TYPE:**

- (0-10V)** - Low Voltage
- (2W)** - Line Voltage 2-Wire
- (DALI)** - DALI
- (MK7)** - Signify 0-10V
- (MK10)** - Signify 2-Wire

**Note:**

- For luminaires running three or more type T5, T5HO (2ft), T5HO (3ft), T8HO, or T8 Slimline lamps, more than one ballast is required.

Contact L.A. Lighting Customer Service for more information.



**Los Angeles Lighting Mfg. Co.**  
 Contact Us  
 T: 626-454-8300    10141 Olney Street  
 F: 626-454-8399    El Monte, CA 91731  
 www.lalighting.com    Made in the USA



Due to continued product improvements and enhancements, Los Angeles Lighting Manufacturing Company reserves the right to alter specifications, dimensions, data, and/or materials without notice. Please visit our website to view the most current information.

© 2023 LOS ANGELES LIGHTING MANUFACTURING CO. ALL RIGHTS RESERVED.

Revised: 06/06/23



**MADE IN THE USA**  
BAA Compliant