



# RECESSED FLUO

## FPA320 2X2

® RECESSED FLANGED PARABOLIC LUMINAIRE

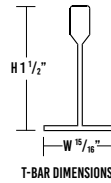
JOB	
TYPE	
DATE	

### RECESSED FLANGED PARABOLIC TROFFER FOR HARD CEILINGS

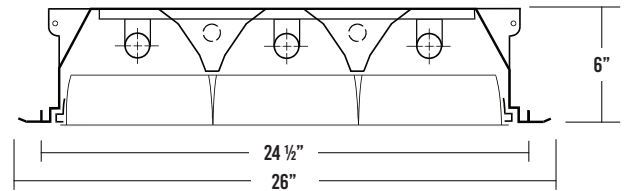
### DIMENSIONS



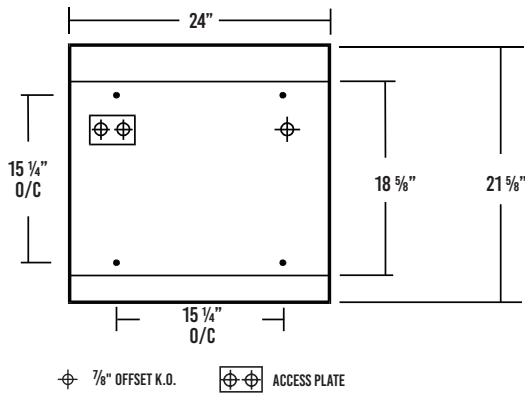
Overall dimensions including flange: 26" x 26"  
Required ceiling opening: 24 1/2" x 24 1/2"



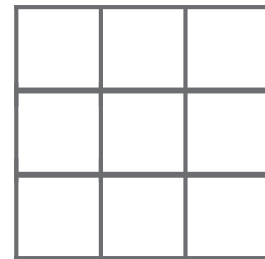
### S9 CROSS SECTION



### BACKPLATE



### S9 LOUVER CONFIGURATION (3 LOUVER ROWS, 9 CELLS)



### SPECIFICATIONS

#### CONSTRUCTION

- 22 gauge cold-rolled steel housing
- One piece welded trim flange
- Semi-specular, low iridescent aluminum louvers
- Louvers secured to housing with T-hinges and latches

#### FINISH

- Baked white polyester finish
- Minimum reflectance 86%
- Trim flange painted after fabrication

#### OPTICAL

- Nominal 3" deep aluminum parabolic louvers

#### LISTING

- UL USA and Canada Listed. Compatible with UL Fire-Rated Ceiling Assemblies.

#### WARRANTY

- 5-Year limited warranty standard. 10-Year limited warranty also available

### APPLICATIONS

- Classrooms, Offices, Retail

### FEATURES

- Recessed flanged luminaire for hard ceilings

### OPTIONS CONTACT CUSTOMER SERVICE FOR ADDITIONAL OPTIONS

- Emergency battery packs
- 20 gauge housing
- Sensors and controls
- White louvers
- Customization available upon request



**Los Angeles Lighting Mfg. Co.**  
Contact Us  
T: 626-454-8300  
F: 626-454-8399  
www.lalighting.com

10141 Olney Street  
El Monte, CA 91731  
Made in the USA



Due to continued product improvements and enhancements, Los Angeles Lighting Manufacturing Company reserves the right to alter specifications, dimensions, data, and/or materials without notice. Please visit our website to view the most current information.

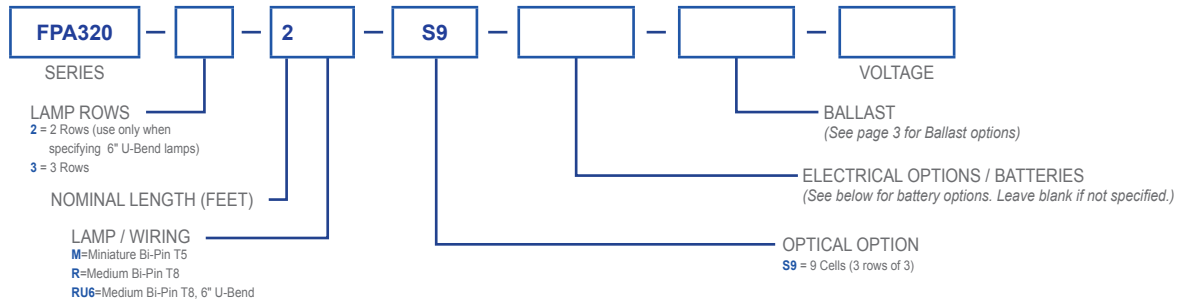
© 2024 LOS ANGELES LIGHTING MANUFACTURING CO. ALL RIGHTS RESERVED.

Revised: 02/07/24



**ORDERING INFORMATION**

**ADDITIONAL OPTIONS AVAILABLE. VISIT [WWW.LALIGHTING.COM/RESOURCES](http://WWW.LALIGHTING.COM/RESOURCES) FOR MORE INFORMATION**  
**FLUORESCENT PRODUCT PART # NOMENCLATURE**



**BATTERY PACK OPTIONS**

**FLUORESCENT EMERGENCY BATTERY PACKS (Minimum 90-minute operation)**  
**BATTERY PACK REFERENCE CHART**

To determine the suffix used when ordering (either BP1, BP5, or BP5B), first find your lamp type, length, and number of lamps required in emergency mode, then select your desired lumen output.

Lamp Type	Length	# Of Lamps in EM Mode	Emergency Output	
			500lm	1400lm
F14T5	2ft	1	BP1	BP5
F14T5	2ft	2		BP5B
F24T5HO	2ft	1	BP1	BP5
F24T5HO	2ft	2		BP5B
F17T8	2ft	1	BP1	BP5
F17T8	2ft	2		BP5B

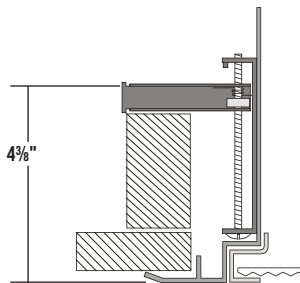
**MOUNTING OPTIONS**

**FPA320 MOUNTING OPTIONS**

**SWING-OUT JACK**

- Spring-loaded adjustable mounting bracket for mounting in drywall or plaster type ceiling
- Four (4) per set; 1 set required per fixture

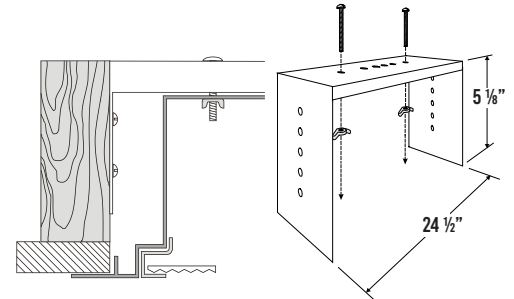
**Catalog No. SOJ**



**HANGER YOKE**

- 1/4"-20 x 2 1/2" machine screws secure hanger yoke to fixture through knockouts in top of housing
- Two hanger yokes required for each 4' fixture.
- Hanger yoke dimensions 5 1/8"H x 24 1/2" W

**Catalog No. HS-24 1/2**



**Los Angeles Lighting Mfg. Co.**  
 Contact Us  
 T: 626-454-8300  
 F: 626-454-8399  
[www.lalighting.com](http://www.lalighting.com)  
 10141 Olney Street  
 El Monte, CA 91731  
 Made in the USA



Due to continued product improvements and enhancements, Los Angeles Lighting Manufacturing Company reserves the right to alter specifications, dimensions, data, and/or materials without notice. Please visit our website to view the most current information.

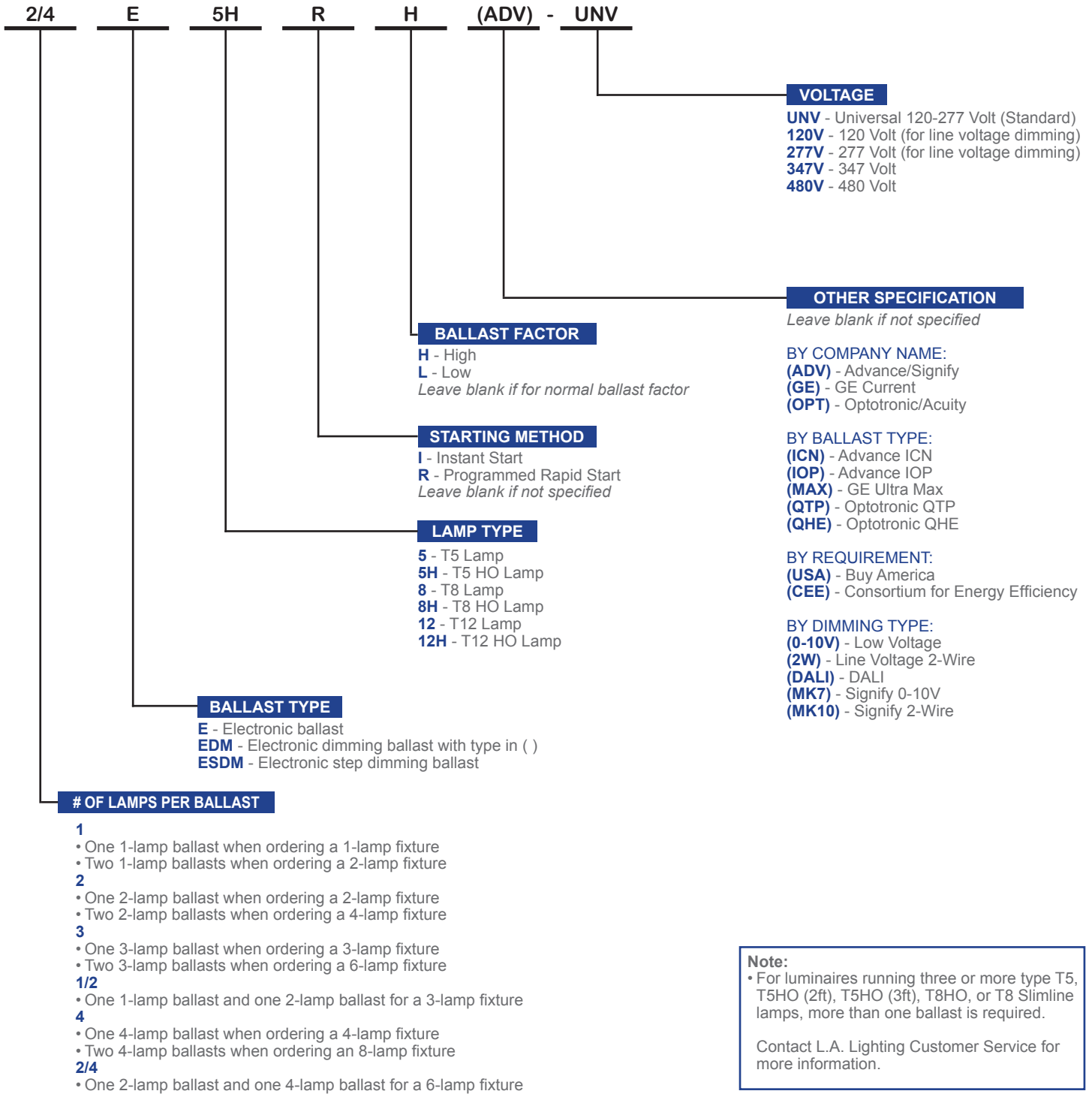
© 2024 LOS ANGELES LIGHTING MANUFACTURING CO. ALL RIGHTS RESERVED.

Revised: 02/07/24



**BALLAST OPTIONS**

**FLUORESCENT BALLAST OPTIONS**



**Los Angeles Lighting Mfg. Co.**  
 Contact Us  
 T: 626-454-8300      10141 Olney Street  
 F: 626-454-8399      El Monte, CA 91731  
 www.lalighting.com      Made in the USA



Due to continued product improvements and enhancements, Los Angeles Lighting Manufacturing Company reserves the right to alter specifications, dimensions, data, and/or materials without notice. Please visit our website to view the most current information.

© 2024 LOS ANGELES LIGHTING MANUFACTURING CO. ALL RIGHTS RESERVED.

Revised: 02/07/24



**MADE IN THE USA**  
 BAA Compliant