



WRAPAROUND WCP200

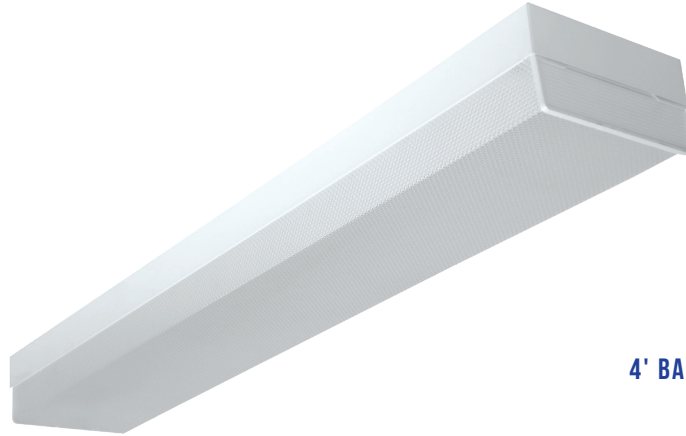
® WRAPAROUND LUMINAIRE



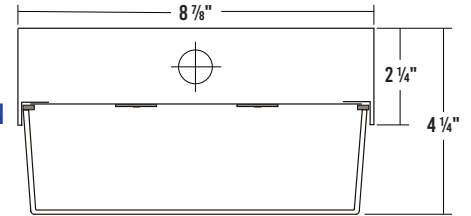
JOB	
TYPE	
DATE	

CEILING/SUSPENSION MOUNTED

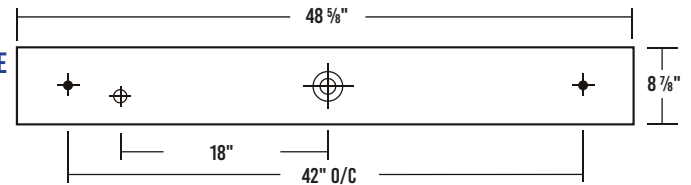
DIMENSIONS



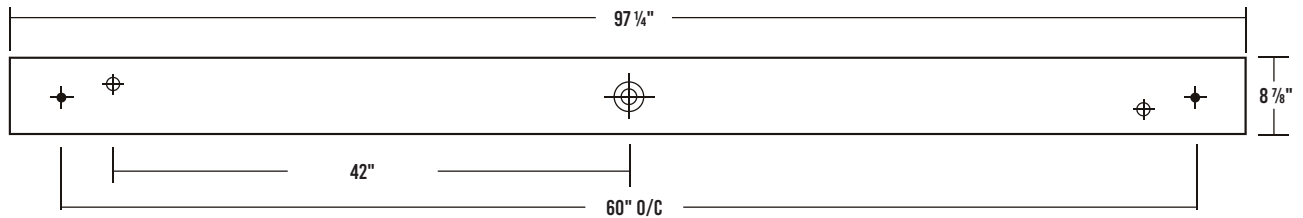
CROSS SECTION



4' BACKPLATE



8' BACKPLATE



♦ 11/16" STEM MTG. K.O. ⊕ 7/8" OFFSET K.O. ⊕ 2" K.O.

SPECIFICATIONS

CONSTRUCTION

- 22 gauge cold-rolled steel welded housing

FINISH

- Painted after fabrication
- Baked white powder-coated finish
- Minimum reflectance 90%

OPTICAL

- High-impact clear prismatic acrylic lens (min. thickness 0.125")
- Lens secured by spring-loaded scissor clips

ELECTRICAL

- High-efficiency drivers coupled with long-life LEDs
- Service life tested at 148,000 hours (L70), 42,000 hours (L90)
- Universal voltage 120V through 277V (347V / 480V available)
- Emergency battery pack available

LISTING

- UL USA and Canada listed / suitable for damp locations

WARRANTY

- 5-Year limited warranty standard. 10-Year limited warranty also available

APPLICATIONS

- Commercial, Classrooms, Offices, Corridors

FEATURES

- Surface / pendant mounted LED luminaire
- 0-10V dimming driver standard (other dimming types available)
- Controls and sensors available
- Wireless control options
- Supports California Title 24 compliance
- Suitable for damp locations
- Additional lumen packages and color temperatures available

OPTIONS

- Wet location
- Controls
- Neoprene gasket
- Tamper-proof screws
- Cord & Plug
- Emergency battery pack
- Customization available upon request



Los Angeles Lighting Mfg. Co.
 Contact Us
 T: 626-454-8300 10141 Olney Street
 F: 626-454-8399 El Monte, CA 91731
 www.lalighting.com Made in the USA



Due to continued product improvements and enhancements, Los Angeles Lighting Manufacturing Company reserves the right to alter specifications, dimensions, data, and/or materials without notice. Please visit our website to view the most current information.

© 2023 LOS ANGELES LIGHTING MANUFACTURING CO. ALL RIGHTS RESERVED.



Revised: 09/28/23

MADE IN THE USA
BAA Compliant

ORDERING INFORMATION

ADDITIONAL OPTIONS AVAILABLE. VISIT WWW.LALIGHTING.COM/RESOURCES FOR MORE INFORMATION

EXAMPLE: WCP200-4-4L-BPL1.5-DRDM-UNV-1/840

SERIES	NOMINAL LED LUMENS	NOMINAL LENGTH	OPTICAL	MECHANICAL	ELECTRICAL	DRIVER	VOLTAGE	# OF LED ROWS	CRI / CCT
WCP200						DRDM	UNV	2	
WCP200 • High Impact Square Wraparound Luminaire	3 - 3000lm 4 - 4000lm 6 - 6000lm 8 - 8000lm 6 - 4000lm 8 - 8000lm 12 - 12000lm 16 - 16000lm	4L • 4' 8L • 8'	DRP3 • High Impact Clear Prismatic Acrylic • Min. 0125 Thickness	TP • Tamper Proof Screws (Hex Socket with Post) WL • Wet Location • Electro-Galvanized Steel Housing GSK • Gasket *Leave blank if not specified	BPL1.5 • 1500 lm emergency battery pack MSH • Microwave Motion Sensor-On/Off MSHSD • Microwave Motion Sensor-High/Low WLC(LED RU) • EnOcean Zone Controller *Leave blank if not specified	DRDM • 0-10V Dimming Driver	UNV • 120V-277V 120V • 120 Volt 277V • 277 Volt	2 • Two LED Rows	827 • 80+ CRI / 2700K 835 • 80+ CRI / 3500K 840 • 80+ CRI / 4000K 850 • 80+ CRI / 5000K 865 • 80+ CRI / 6500K 8TW • 80+ CRI Tunable White 2700K-6500K 90 CRI also available.
Standard options for WCP200 shown above. For additional options, including lumen packages, controls, lenses, switches, finishes, and more, visit www.lalighting.com/resources or contact customer service.									Contact customer service for additional CRI/CCT packages.

SENSORS AND CONTROLS

High Frequency (Microwave) Motion Sensors

Detects movement through low materials, including polycarbonate, acrylic and glass diffusers.

MSH - Microwave Motion Sensor – On/Off

- Turns luminaire on/off in response to motion

MSHSD - Microwave Motion Sensor – High/Low

- Increases/decreases illumination in response to motion

EnOcean® Zone Controller

WLC(LED RU) - LED Relay Zone Controller

- Pre-installed inside luminaire
- Can support a single luminaire or multiple daisy-chained luminaires



Los Angeles Lighting Mfg. Co.
 Contact Us
 T: 626-454-8300 10141 Olney Street
 F: 626-454-8399 El Monte, CA 91731
www.lalighting.com Made in the USA



Due to continued product improvements and enhancements, Los Angeles Lighting Manufacturing Company reserves the right to alter specifications, dimensions, data, and/or materials without notice. Please visit our website to view the most current information.

© 2023 LOS ANGELES LIGHTING MANUFACTURING CO. ALL RIGHTS RESERVED.

Revised: 09/28/23

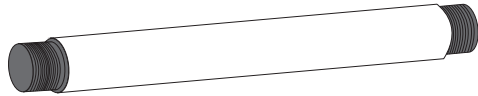


MOUNTING HARDWARE

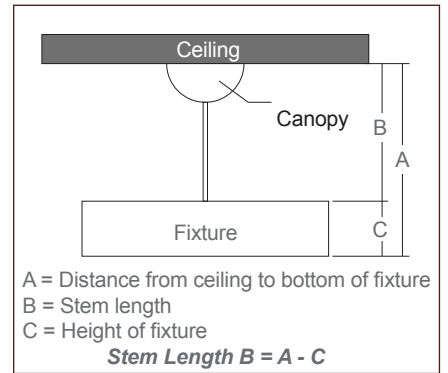
STEM (Specify Length)

- 3/8" IPS, nominal OD 5/8"
- Threaded 1" each end
- 2 lock nuts provided per stem
- Standard lengths: 6", 12", 18", 24", 30", 36", 48"
- Baked white enamel finish

Other lengths & finishes are available as specified



Stem Length Calculation



CANOPY / CABLE SUSPENSION SYSTEM

- Self-locking, one-step adjustable suspension device with canopies
- Provides full 360° rotation



433B

- Canopy with cable
- No power cord
- Cable length 48" and 96"
- Max. Weight 196 lbs.

433B-48 W

COLOR

- W - White
- B - Black

CABLE LENGTH

- 48 - 48 inches
- 96 - 96 inches
- (other lengths as specified)



444F

- Feed-in canopy with straight cord
- Includes power cord
- Cable length 48" and 96"
- Max. Weight 196 lbs

444F-48SW-2C

OF CIRCUITS

- 2C - Two circuits
- LV - 0-10V dimming
- Blank - One circuit

COLOR

- W - White
- B - Black

CORD TYPE

- S - Straight cord

CABLE LENGTH

- 48 - 48 inches
- 96 - 96 inches
- (other lengths as specified)



Los Angeles Lighting Mfg. Co.
 Contact Us
 T: 626-454-8300 10141 Olney Street
 F: 626-454-8399 El Monte, CA 91731
 www.lalighting.com Made in the USA



Due to continued product improvements and enhancements, Los Angeles Lighting Manufacturing Company reserves the right to alter specifications, dimensions, data, and/or materials without notice. Please visit our website to view the most current information.

© 2023 LOS ANGELES LIGHTING MANUFACTURING CO. ALL RIGHTS RESERVED.

Revised: 09/28/23



SYSTEM DATA

ADDITIONAL LUMEN PACKAGES AVAILABLE. CONTACT CUSTOMER SERVICE FOR MORE INFORMATION

4' - LED LUMEN PACKAGE	NORMAL AMBIENT TEMPERATURE PRODUCT CODE	DELIVERED LUMENS	SYSTEM WATTS	LUMINAIRE EFFICACY	AMBIENT TEMP.	FLUORESCENT EQUIVALENT	IES FILES
3000 Lumens (Nominal)	WCP200-3-4L-DRP3-DRDM-UNV-1/840	3022	22.2	136.3 lm/W	-20°C / 35°C (-4°F / 95°F)	1-F32T8	*
4000 Lumens (Nominal)	WCP200-4-4L-DRP3-DRDM-UNV-1/840	4058	31.0	130.8 lm/W	-20°C / 35°C (-4°F / 95°F)	2-F32T8 1-F54T5HO	*
6000 Lumens (Nominal)	WCP200-6-4L-DRP3-DRDM-UNV-1/840	5628	45.9	122.6 lm/W	-20°C / 35°C (-4°F / 95°F)	3-F32T8	*
8000 Lumens (Nominal)	WCP200-84L-DRP3-DRDM-UNV-1/840	7107	67.6	105.1 lm/W	-20°C / 35°C (-4°F / 95°F)	4-F32T8 2-F54T5HO	*

8' - LED LUMEN PACKAGE	NORMAL AMBIENT TEMPERATURE PRODUCT CODE	DELIVERED LUMENS	SYSTEM WATTS	LUMINAIRE EFFICACY	AMBIENT TEMP.	FLUORESCENT EQUIVALENT	IES FILES
6000 Lumens (Nominal)	WCP200-6-8L-DRP3-DRDM-UNV-1/840	6028	42.7	141.3 lm/W	-20°C / 35°C (-4°F / 95°F)	3-F32T8	*
8000 Lumens (Nominal)	WCP200-8-8L-DRP3-DRDM-UNV-1/840	8185	59.9	136.9 lm/W	-20°C / 35°C (-4°F / 95°F)	4-F32T8 2-F54T5HO	*
12000 Lumens (Nominal)	WCP200-12-8L-DRP3-DRDM-UNV-1/840	11050	88.8	124.4 lm/W	-20°C / 35°C (-4°F / 95°F)	6-F32T8	*
16000 Lumens (Nominal)	WCP200-16-8L-DRP3-DRDM-UNV-1/840	14869	99.6	149.3 lm/W	-20°C / 35°C (-4°F / 95°F)	8-F32T8 4-F54T5HO	*

NOTE:
System data as of 8/18/23.
Subject to change without notice.

System data is based on 120V input voltage. Actual performance may differ as a result of end-user environment and application. This fixture has been tested and listed in accordance with UL Standards. L.A. Lighting certifies that it will operate safely when installed properly, and within an ambient temperature range noted in the system data table.

Additional lumen packages and color temperatures available.



Los Angeles Lighting Mfg. Co.
Contact Us
T: 626-454-8300
F: 626-454-8399
www.lalighting.com

10141 Olney Street
El Monte, CA 91731
Made in the USA



Due to continued product improvements and enhancements, Los Angeles Lighting Manufacturing Company reserves the right to alter specifications, dimensions, data, and/or materials without notice. Please visit our website to view the most current information.

© 2023 LOS ANGELES LIGHTING MANUFACTURING CO. ALL RIGHTS RESERVED.

Revised: 09/28/23

