



# RETROFIT KIT

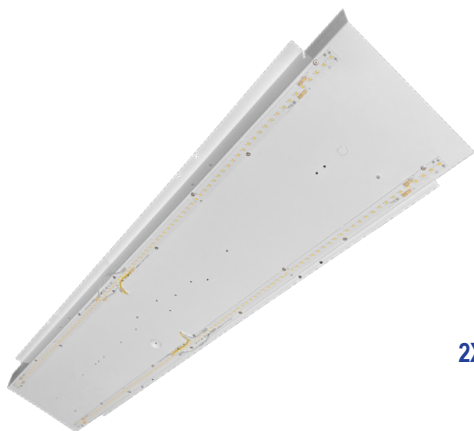
## RGHL320

LED RETROFIT SOLUTION FOR 2' WIDE TROFFER LUMINAIRES

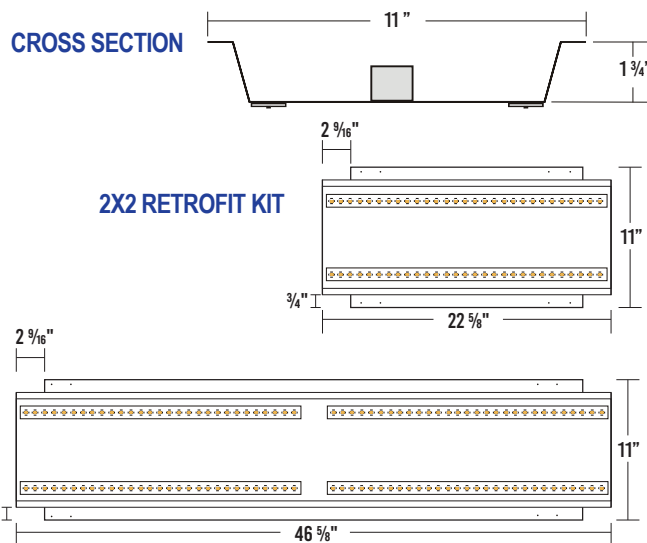


JOB	
TYPE	
DATE	

### TROFFER RETROFIT KIT



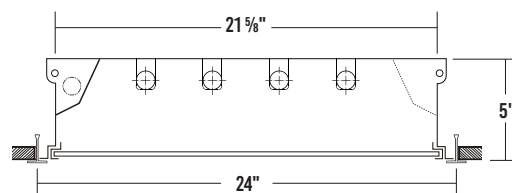
2X4 RETROFIT KIT



### TYPICAL HOST FIXTURE



GHL320



Check retrofit kit dimensions against host fixture to ensure proper fit. Custom retrofit kits available.

### SPECIFICATIONS

#### Construction

- 22 gauge cold-rolled steel LED cover tray
- LED cover tray to be secured to the host fixture with provided screws

#### Finish

- Baked white polyester finish
- Minimum reflectance 86%

#### Electrical

- High-efficiency drivers coupled with long-life LEDs
- Service life tested at 50,000 hours (L70)
- Universal voltage 120V through 277V (347V / 480V available)
- Power Factor (PF) ≥ 0.9
- Total Harmonic Distortion (THD) ≤ 20%

#### Listing

- UL USA and Canada listed

#### Warranty

- 5-Year limited warranty standard. 10-Year limited warranty also available

### APPLICATIONS

- Classrooms, Workrooms, Commercial, Office

### FEATURES

- Includes easy-to-read installation instructions
- Safety cables for easy installation
- 0-10V Dimming driver standard
- Supports California Title 24 compliance

### OPTIONS

- Sensors and controls
- Emergency battery pack
- Tunable white (2700K-6500K)
- Wire channel connector for host luminaires with side ballast channel
- Additional lumen packages available
- Customization available upon request
- Painted after fabrication available



Los Angeles Lighting Mfg. Co.  
 Contact Us  
 T: 626-454-8300 10141 Olney Street  
 F: 626-454-8399 El Monte, CA 91731  
 www.lalighting.com Made in the USA



Due to continued product improvements and enhancements, Los Angeles Lighting Manufacturing Company reserves the right to alter specifications, dimensions, data, and/or materials without notice. Please visit our website to view the most current information.

© 2023 LOS ANGELES LIGHTING MANUFACTURING CO. ALL RIGHTS RESERVED.

Revised:01/29/2024



MADE IN THE USA  
BAA Compliant

**ORDERING INFORMATION:** Additional Options Available. Visit [www.lalighting.com/resources](http://www.lalighting.com/resources) for more information

EXAMPLE: RGHL320-4-4L-BPL1.5-DRDM-UNV-2/840							
SERIES	NOMINAL LED LUMENS	NOMINAL LENGTH	ELECTRICAL/ CONTROLS	DRIVER	VOLTAGE	# OF LED ROWS	CRI / CCT
RGHL320				DRDM	UNV	2	
<b>RGHL320</b> • LED Retrofit Solution for 2' Wide Troffer Luminaires  <b>High Efficacy</b> 2HE - 2000lm 3HE - 3000lm 4HE - 4000lm 6HE - 6000lm  4 - 4000lm 6 - 6000lm 8 - 8000lm 12 - 12000lm 16 - 16000lm  <b>High Efficacy</b> 4HE - 4000lm 6HE - 6000lm 8HE - 8000lm 12HE - 12000lm  Contact customer service for additional lumen packages	2 - 2000lm 3 - 3000lm 4 - 4000lm 6 - 6000lm 8 - 8000lm	2L • 2'	<b>BPL1.5</b> • 1500 lm emergency battery pack  <b>MSH</b> • Microwave Motion Sensor - On/off  <b>MSHSD</b> • Microwave Motion Sensor - High/Low  <b>WLC(LED RU)</b> • EnOcean® LED Relay Zone Controller  *Leave blank if not specified	<b>DRDM</b> • 0-10V Dimming Driver	<b>UNV</b> • 120V - 277V  <b>120V</b> • 120 Volt  <b>277V</b> • 277 Volt  <b>347V</b> • 347 Volt  <b>480V</b> • 480 Volt	2 • Two LED Rows	<b>827</b> • 80+CRI / 2700K  <b>830</b> • 80+CRI / 3000K  <b>835</b> • 80+CRI / 3500K  <b>840</b> • 80+CRI / 4000K  <b>850</b> • 80+CRI / 5000K  <b>865</b> • 80+CRI / 6500K  <b>8TW</b> • 80+CRI Tunable White 2700K-6500K  90CRI Also available
	Standard options for RGHL320 shown above. For additional options, including lumen packages, controls, lenses, switches, finishes, and more, visit <a href="http://www.lalighting.com/resources">www.lalighting.com/resources</a> or contact customer service.						

## SENSORS AND CONTROLS

### HIGH FREQUENCY (MICROWAVE) MOTION SENSORS

Detects movement through low density materials, including polycarbonate, acrylic and glass diffusers.

#### MSH - Microwave Motion Sensor – On/Off

- Turns luminaire on/off in response to motion

#### MSHSD - Microwave Motion Sensor – High/Low

- Increases/decreases illumination in response to motion

## WIRELESS CONTROLS

### WLC(LED RU) - EnOcean® LED Relay Zone Controller

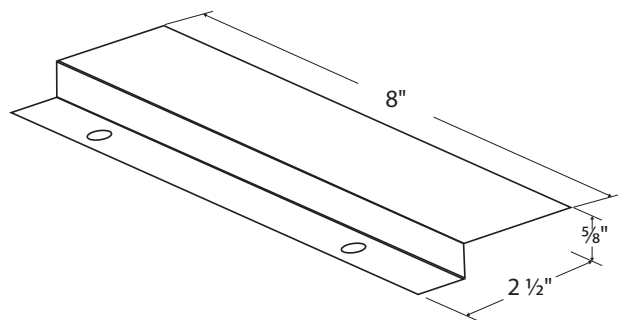
- Pre-installed inside luminaire
- Can support a single luminaire or multiple daisy-chained luminaires

For additional sensor and wireless controls options, visit [www.lalighting.com/resources](http://www.lalighting.com/resources)

## ACCESSORIES

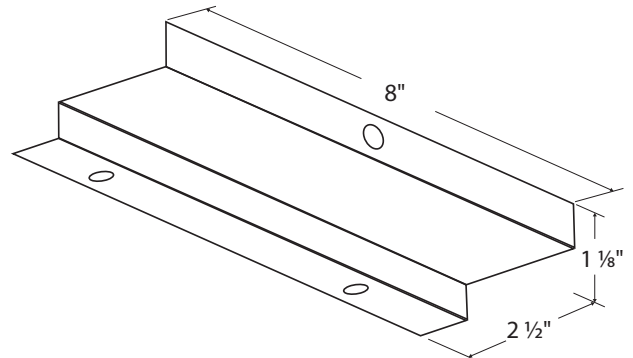
### SWCC

- Side wire channel connector for RGHL310/320
- Used to cover internal wiring when host fixture has side ballast channel
- Mounting holes to secure SWCC to housing base



### SWCCE

- Side wire channel connector for RGHL310/320
- Used to cover internal wiring when host fixture has side ballast channel
- Mounting holes to secure SWCCE to housing base or end cap



**Los Angeles Lighting Mfg. Co.**  
 Contact Us  
 T: 626-454-8300 10141 Olney Street  
 F: 626-454-8399 El Monte, CA 91731  
[www.lalighting.com](http://www.lalighting.com) Made in the USA



Due to continued product improvements and enhancements, Los Angeles Lighting Manufacturing Company reserves the right to alter specifications, dimensions, data, and/or materials without notice. Please visit our website to view the most current information.

© 2023 LOS ANGELES LIGHTING MANUFACTURING CO. ALL RIGHTS RESERVED.

Revised:01/29/2024



**SYSTEM DATA:** Additional Lumen Packages Available. Contact Customer Service for More Information

2'x2' LED LUMEN PACKAGE	NORMAL AMBIENT TEMPERATURE PRODUCT CODE	DELIVERED LUMENS	SYSTEM WATTS	LUMINAIRE EFFICACY	AMBIENT TEMP.	FLUORESCENT EQUIVALENT	IES FILES
2000 Lumens (Nominal)	RGHL320-2-2L-DRDM-UNV-2/840	1423	13.4	106.1 lm/W	-20°C / 35°C (-4°F / 95°F)	1-F24T5HO, 2-F17T8	*
3000 Lumens (Nominal)	RGHL320-3-2L-DRDM-UNV-2/840	2254	22.1	102.0 lm/W	-20°C / 35°C (-4°F / 95°F)	3-F17T8	*
4000 Lumens (Nominal)	RGHL320-4-2L-DRDM-UNV-2/840	2794	26.7	104.6 lm/W	-20°C / 35°C (-4°F / 95°F)	2-F24T5HO, 4-F17T8	*
6000 Lumens (Nominal)	RGHL320-6-2L-DRDM-UNV-2/840	4351	43.7	99.6 lm/W	-20°C / 35°C (-4°F / 95°F)	3-F24T5HO, 6-F17T8	*
8000 Lumens (Nominal)	RGHL320-8-2L-DRDM-UNV-2/840	5663	50.9	111.4 lm/W	-20°C / 35°C (-4°F / 95°F)	2-F54T5HO, 4-F24T5HO	*

2'x2' LED LUMEN PACKAGE	NORMAL AMBIENT TEMPERATURE (HIGH EFFICACY) PRODUCT CODE	DELIVERED LUMENS	SYSTEM WATTS	LUMINAIRE EFFICACY	AMBIENT TEMP.	FLUORESCENT EQUIVALENT	IES FILES
2000 Lumens (Nominal)	RGHL320-2HE-2L-DRDM-UNV-2/840	1539	13.5	113.6 lm/W	-20°C / 35°C (-4°F / 95°F)	1-F24T5HO, 2-F17T8	*
3000 Lumens (Nominal)	RGHL320-3HE-2L-DRDM-UNV-2/840	2146	18.3	117.2 lm/W	-20°C / 35°C (-4°F / 95°F)	3-F17T8	*
4000 Lumens (Nominal)	RGHL320-4HE-2L-DRDM-UNV-2/840	2735	23.5	116.6 lm/W	-20°C / 35°C (-4°F / 95°F)	2-F24T5HO, 4-F17T8	*
6000 Lumens (Nominal)	RGHL320-6HE-2L-DRDM-UNV-2/840	4398	38.4	114.5 lm/W	-20°C / 35°C (-4°F / 95°F)	3-F24T5HO, 6-F17T8	*

2'x4' LED LUMEN PACKAGE	NORMAL AMBIENT TEMPERATURE PRODUCT CODE	DELIVERED LUMENS	SYSTEM WATTS	LUMINAIRE EFFICACY	AMBIENT TEMP.	FLUORESCENT EQUIVALENT	IES FILES
4000 Lumens (Nominal)	RGHL320-4-4L-DRDM-UNV-2/840	2983	25.8	115.8 lm/W	-20°C / 35°C (-4°F / 95°F)	1-F54T5HO, 2-F32T8	*
6000 Lumens (Nominal)	RGHL320-6-4L-DRDM-UNV-2/840	4438	39.0	113.9 lm/W	-20°C / 35°C (-4°F / 95°F)	3-F32T8	*
8000 Lumens (Nominal)	RGHL320-8-4L-DRDM-UNV-2/840	5858	52.7	111.2 lm/W	-20°C / 35°C (-4°F / 95°F)	2-F54T5HO, 4-F32T8	*
12000 Lumens (Nominal)	RGHL320-12-4L-DRDM-UNV-2/840	8858	81.9	108.1 lm/W	-20°C / 35°C (-4°F / 95°F)	3-F54T5HO, 6-F32T8	*
16000 Lumens (Nominal)	RGHL320-16-4L-DRDM-UNV-2/840	11619	99.2	117.1 lm/W	-20°C / 35°C (-4°F / 95°F)	4-F54T5HO	*

2'x4' LED LUMEN PACKAGE	NORMAL AMBIENT TEMPERATURE (HIGH EFFICACY) PRODUCT CODE	DELIVERED LUMENS	SYSTEM WATTS	LUMINAIRE EFFICACY	AMBIENT TEMP.	FLUORESCENT EQUIVALENT	IES FILES
4000 Lumens (Nominal)	RGHL320-4HE-4L-DRDM-UNV-2/840	2902	22.7	127.6 lm/W	-20°C / 35°C (-4°F / 95°F)	1-F54T5HO, 2-F32T8	*
6000 Lumens (Nominal)	RGHL320-6HE-4L-DRDM-UNV-2/840	4499	35.4	126.9 lm/W	-20°C / 35°C (-4°F / 95°F)	3-F32T8	*
8000 Lumens (Nominal)	RGHL320-8HE-4L-DRDM-UNV-2/840	5734	45.3	126.6 lm/W	-20°C / 35°C (-4°F / 95°F)	2-F54T5HO, 4-F32T8	*
12000 Lumens (Nominal)	RGHL320-12HE-4L-DRDM-UNV-2/840	8663	71.1	121.8 lm/W	-20°C / 35°C (-4°F / 95°F)	3-F54T5HO, 6-F32T8	*

**NOTE:**  
System data as of 10/19/23.  
Subject to change without notice.

System data is based on 120V input voltage in host fixture with clear prismatic acrylic (PA) lens. Actual performance may differ as a result of end-user environment and application. This fixture has been tested and listed in accordance with UL Standards. L.A. Lighting certifies that it will operate safely when installed properly, and within an ambient temperature range noted in the system data table. Additional lumen packages and color temperatures available.



**Los Angeles Lighting Mfg. Co.**  
Contact Us  
T: 626-454-8300 10141 Olney Street  
F: 626-454-8399 El Monte, CA 91731  
www.lalighting.com Made in the USA



Due to continued product improvements and enhancements, Los Angeles Lighting Manufacturing Company reserves the right to alter specifications, dimensions, data, and/or materials without notice. Please visit our website to view the most current information.

© 2023 LOS ANGELES LIGHTING MANUFACTURING CO. ALL RIGHTS RESERVED.

Revised:01/29/2024

