



WRAPAROUND DES220

® SOFT CONTOUR DECORATIVE LUMINAIRE

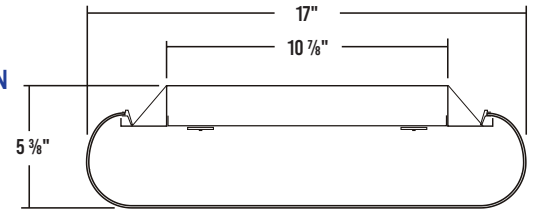


| | |
|------|--|
| JOB | |
| TYPE | |
| DATE | |

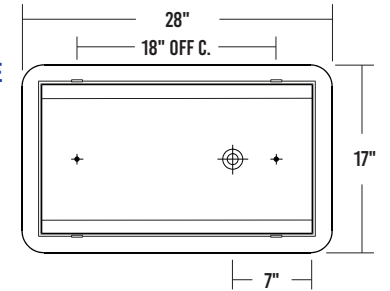
SURFACE / STEM / PENDANT MOUNTED



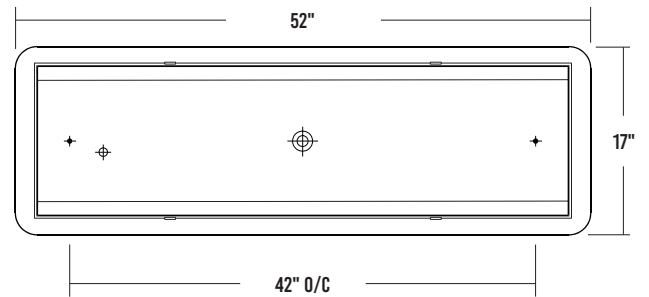
CROSS SECTION



2' BACKPLATE



4' BACKPLATE



- ✦ 11/16" STEM MTG. K.O.
- ⊕ 7/8" OFFSET K.O.
- ⊕ 2" K.O.

SPECIFICATIONS

Construction

- 22 gauge cold-rolled steel housing (20 gauge also available)

Finish

- Baked white polyester finish (powder coated finish available)
- Minimum reflectance 86%

Optical

- Fully illuminated one-piece dropped white acrylic opal diffuser
- Diffuser clips to luminaire housing and can be removed from either side

Electrical

- High-efficiency drivers coupled with long-life LEDs
- Service life greater than 50,000 hours (L70)
- Universal voltage 120V through 277V (347 / 480V available)
- Emergency battery pack available

Listing

- UL USA and Canada listed / suitable for damp locations

Warranty

- 5-Year limited warranty standard. 10-Year limited warranty also available

APPLICATIONS

- Commercial, Retail, Office, Residential

FEATURES

- Surface/stem/pendant mounted LED luminaire
- 0-10V dimming driver standard (other dimming types available)
- Controls and sensors available
- Supports California Title 24 compliance
- Suitable for damp locations
- Additional lumen packages and color temperatures available
- Full customization available upon request

OPTIONS

- Tunable white (2700K – 6500K)
- Emergency battery pack
- 20 gauge housing
- Customization available upon request



Los Angeles Lighting Mfg. Co.
 Contact Us
 T: 626-454-8300 10141 Olney Street
 F: 626-454-8399 El Monte, CA 91731
 www.lalighting.com Made in the USA



Due to continued product improvements and enhancements, Los Angeles Lighting Manufacturing Company reserves the right to alter specifications, dimensions, data, and/or materials without notice. Please visit our website to view the most current information.

© 2023 LOS ANGELES LIGHTING MANUFACTURING CO. ALL RIGHTS RESERVED.



Revised: 11/16/23

MADE IN THE USA
BAA Compliant

ORDERING INFORMATION: Additional Options Available. Visit www.lalighting.com/resources for more information

EXAMPLE: DES220-2-4L-CLO-BPL1.5-DRDM-UNV-2/840

| SERIES | NOMINAL LED LUMENS | NOMINAL LENGTH | OPTICAL | ELECTRICAL | DRIVER | VOLTAGE | # OF LED ROWS | CRI / CCT |
|---|--|----------------|---|--|---------------------------------------|---|----------------------------|--|
| DES220 | | | CLO | | DRDM | UNV | 2 | |
| DES220 • Soft Contour Decorative Luminaire | 2 - 2000lm 3 - 3000lm 4 - 4000lm | 2L • 2' | CLO • Dropped white acrylic opal diffuser | BPL1.5 • 1500 lm emergency battery pack MSH • Microwave Motion Sensor - On/Off MSHSD • Microwave Motion Sensor - High/Low WLC(LED RU) • EnOcean® LED Relay Zone Controller *Leave blank if not specified | DRDM • 0-10V Dimming Driver | UNV • 120V-277V 120V • 120 Volt 277V • 277 Volt | 2 • Two LED Rows | 827 • 80+CRI / 2700K 830 • 80+CRI / 3500K 835 • 80+CRI / 3500K 840 • 80+CRI / 4000K 850 • 80+CRI / 5000K 865 • 80+CRI / 6500K 8TW • 80+CRI Tunable White 2700K-6500K 90CRI Also available Contact customer service for additional CRI/CCT packages, including 90 CRI |
| | 4 - 4000lm 6 - 6000lm 8 - 8000lm | 4L • 4' | | | | | | |
| <p>Standard options for DES220 shown above. For additional options, including lumen packages, controls, lenses, switches, finishes, and more, visit www.lalighting.com/resources or contact customer service.</p> | | | | | | | | |

SENSORS AND CONTROLS

HIGH FREQUENCY (MICROWAVE) MOTION SENSORS

Detects movement through low density materials, including polycarbonate, acrylic and glass diffusers.

MSH - Microwave Motion Sensor – On/Off

- Turns luminaire on/off in response to motion

MSHSD - Microwave Motion Sensor – High/Low

- Increases/decreases illumination in response to motion

WIRELESS CONTROLS

WLC(LED RU) - EnOcean® LED Relay Zone Controller

- Pre-installed inside luminaire
- Can support a single luminaire or multiple daisy-chained luminaires

For additional sensor and wireless controls options, visit www.lalighting.com/resources



Los Angeles Lighting Mfg. Co.
Contact Us
T: 626-454-8300 10141 Olney Street
F: 626-454-8399 El Monte, CA 91731
www.lalighting.com Made in the USA



Due to continued product improvements and enhancements, Los Angeles Lighting Manufacturing Company reserves the right to alter specifications, dimensions, data, and/or materials without notice. Please visit our website to view the most current information.

© 2023 LOS ANGELES LIGHTING MANUFACTURING CO. ALL RIGHTS RESERVED.


Revised: 11/16/23



MOUNTING OPTIONS

CANOPY / CABLE SUSPENSION SYSTEM

- Self-locking, one-step adjustable suspension device with canopies
- Provides full 360° rotation




433B

- Canopy with cable
- No power cord
- Cable length 48" and 96"
- Max. Weight 196 lbs.

433B-48 W

COLOR
W - White
B - Black

CABLE LENGTH
48 - 48 inches
96 - 96 inches
 (other lengths as specified)



444F

- Feed-in canopy with straight cord
- Includes power cord
- Cable length 48" and 96"
- Max. Weight 196 lbs

444F-48SW-2C

OF CIRCUITS
2C - Two circuits
LV - 0-10V dimming
Blank - One circuit

COLOR
W - White
B - Black

CORD TYPE
S - Straight cord

CABLE LENGTH
48 - 48 inches
96 - 96 inches
 (other lengths as specified)

SYSTEM DATA: Additional Lumen Packages Available. Contact Customer Service for More Information

2' Normal Ambient Temperature

| 2' - LED LUMEN PACKAGE | NORMAL AMBIENT TEMPERATURE PRODUCT CODE | DELIVERED LUMENS | SYSTEM WATTS | LUMINAIRE EFFICACY | AMBIENT TEMP. | FLUORESCENT EQUIVALENT | IES FILES |
|------------------------|---|------------------|--------------|--------------------|----------------------------|------------------------|-----------|
| 2000 Lumens (Nominal) | DES220-2-2L-DRDM-UNV-2/840 | 1929 | 15.8 | 122.4 lm/W | -20°C / 35°C (-4°F / 95°F) | 1-F24T5HO, 2-F17T8 | * |
| 3000 Lumens (Nominal) | DES220-3-2L-DRDM-UNV-2/840 | 2829 | 24.4 | 116.2 lm/W | -20°C / 35°C (-4°F / 95°F) | 3-F17T8 | * |
| 4000 Lumens (Nominal) | DES220-4-2L-DRDM-UNV-2/840 | 3684 | 33.3 | 110.7 lm/W | -20°C / 35°C (-4°F / 95°F) | 2-F24T5HO, 4-F17T8 | * |

4' Normal Ambient Temperature

| 4' - LED LUMEN PACKAGE | NORMAL AMBIENT TEMPERATURE PRODUCT CODE | DELIVERED LUMENS | SYSTEM WATTS | LUMINAIRE EFFICACY | AMBIENT TEMP. | FLUORESCENT EQUIVALENT | IES FILES |
|------------------------|---|------------------|--------------|--------------------|----------------------------|------------------------|-----------|
| 4000 Lumens (Nominal) | DES220-4-4L-DRDM-UNV-2/840 | 3948 | 31.4 | 125.7 lm/W | -20°C / 35°C (-4°F / 95°F) | 1-F54T5HO, 2-F32T8 | * |
| 6000 Lumens (Nominal) | DES220-6-4L-DRDM-UNV-2/840 | 5789 | 48.6 | 119.1 lm/W | -20°C / 35°C (-4°F / 95°F) | 3-F32T8 | * |
| 8000 Lumens (Nominal) | DES220-8-4L-DRDM-UNV-2/840 | 7541 | 66.7 | 113.0 lm/W | -20°C / 35°C (-4°F / 95°F) | 2-F54T5HO, 4-F32T8 | * |

NOTE:
 System data as of 10/19/23.
 Subject to change without notice.

System data is based on 120V input voltage. Actual performance may differ as a result of end-user environment and application. This fixture has been tested and listed in accordance with UL Standards. L.A. Lighting certifies that it will operate safely when installed properly, and within an ambient temperature range noted in the system data table.

Additional lumen packages and color temperatures available.



Los Angeles Lighting Mfg. Co.
 Contact Us
 T: 626-454-8300 10141 Olney Street
 F: 626-454-8399 El Monte, CA 91731
 www.lalighting.com Made in the USA



Due to continued product improvements and enhancements, Los Angeles Lighting Manufacturing Company reserves the right to alter specifications, dimensions, data, and/or materials without notice. Please visit our website to view the most current information.

© 2023 LOS ANGELES LIGHTING MANUFACTURING CO. ALL RIGHTS RESERVED.

Revised: 11/16/23

