



# RECESSED FPA620 (2X4)

LED RECESSED TRIM FLANGED LUMINAIRE



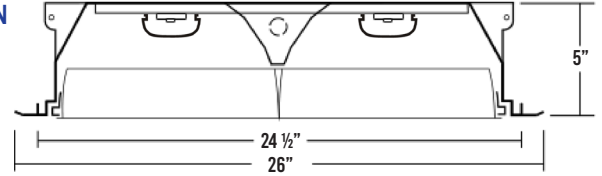
JOB	
TYPE	
DATE	

## Recessed Trim Flanged Luminaire

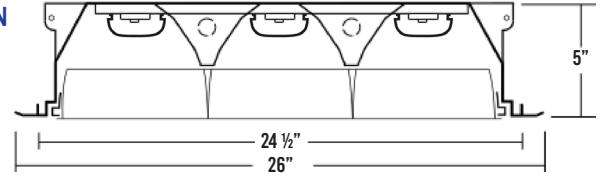


Overall dimensions including flange: 26" x 50"  
Required ceiling opening: 24 1/2" x 48 1/2"

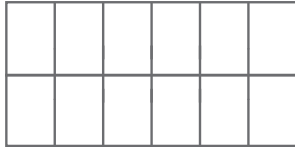
### S12 CROSS SECTION



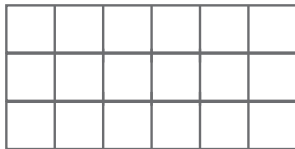
### S18 CROSS SECTION



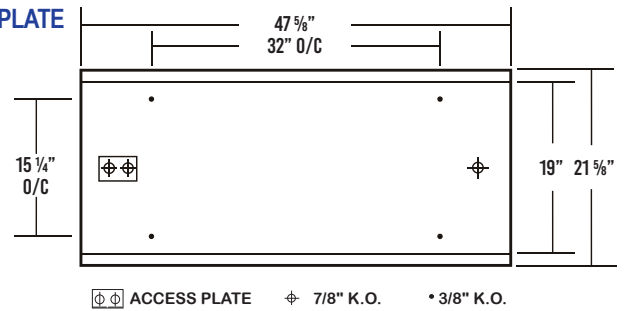
### S12 LOUVER CONFIGURATION (2 ROWS, 12 CELLS)



### S18 LOUVER CONFIGURATION (3 ROWS, 18 CELLS)



### BACKPLATE



## SPECIFICATIONS

### Construction

- 22 gauge cold-rolled steel housing
- 18 gauge one-piece welded trim flange
- Louvers secured to housing by T-hinges and latches
- One-way polyurethane gasket between housing and louver

### Finish

- Baked white polyester finish
- Minimum reflectance 86%
- Trim flange: baked white powder coated finish
- Parabolic louvers: Semi-Specular low iridescent aluminum finish

### Optical

- Frosted white acrylic lens covering the LED Row
- Nominal 3" deep aluminum parabolic louvers

### Electrical

- High-efficiency drivers coupled with long-life LEDs
- Service life tested at 50,000 hours (L70)
- Universal voltage 120V through 277V (347V / 480V available)
- Power Factor (PF) ≥ 0.9
- Total Harmonic Distortion (THD) ≤ 20%

### Listing

- UL USA and Canada listed / suitable for damp locations

### Warranty

- 5-Year limited warranty standard. 10-Year limited warranty also available

## APPLICATIONS

- Commercial, Office

## FEATURES

- 0-10V Dimming Driver Standard
- Supports California Title 24 Compliance

## OPTIONS

- Customization available upon request
- Wireless Control Options
- White louvers (other colors also available)
- Emergency Battery Pack
- Tunable white
- 20 gauge cold rolled steel housing
- Custom colors
- Hanger yokes



**Los Angeles Lighting Mfg. Co.**  
Contact Us  
T: 626-454-8300 10141 Olney Street  
F: 626-454-8399 El Monte, CA 91731  
www.lalighting.com Made in the USA



Due to continued product improvements and enhancements, Los Angeles Lighting Manufacturing Company reserves the right to alter specifications, dimensions, data, and/or materials without notice. Please visit our website to view the most current information.

© 2024 LOS ANGELES LIGHTING MANUFACTURING CO. ALL RIGHTS RESERVED

Revised: 05/09/24



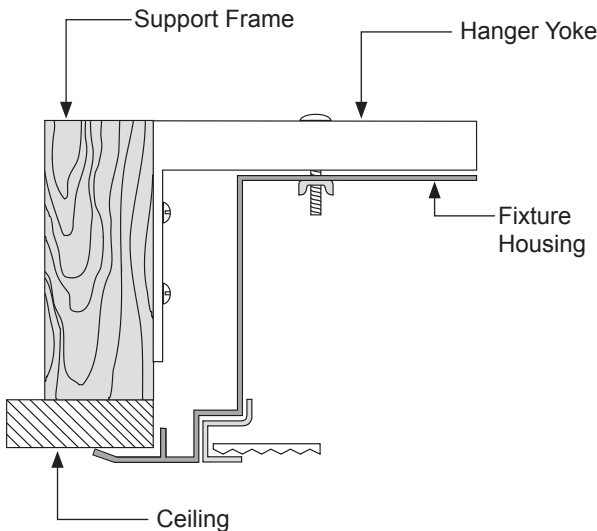
**ORDERING INFORMATION:** Additional Options Available. Visit [www.lalighting.com/resources](http://www.lalighting.com/resources) for more information

EXAMPLE: FPA620-4-4L-S12-DRDM-UNV-3/840									
SERIES	NOMINAL LED LUMENS	NOMINAL LENGTH	MATERIAL / FINISH	LOUVER CONFIGURATION	ELECTRICAL	DRIVER	VOLTAGE	# OF LED ROWS	CRI / CCT
<b>FPA620</b>		<b>4L</b>							
<b>FPA620</b> • Recessed Parabolic Troffer for Hard Ceilings  <b>4</b> - 4000lm <b>6</b> - 6000lm <b>8</b> - 8000lm <b>12</b> - 12000lm <b>16</b> - 16000lm  <b>High Efficacy</b> <b>4HE</b> - 4000lm <b>6HE</b> - 6000lm <b>8HE</b> - 8000lm <b>12HE</b> - 12000lm  <i>Contact customer service for additional lumen packages</i>		<b>4L</b> • 2' x 4'	<b>20G</b> • 20 Gauge Cold-Rolled Steel Housing  <i>Leave blank for standard 22 gauge cold-rolled steel housing</i>	<b>S12</b> • Semi-Specular Low Iridescent Aluminum; 2 Rows of 6 Cells  <b>S18</b> • Semi-Specular Low Iridescent Aluminum; 3 Rows of 6 Cells  <i>White and other louver colors also available. Contact Customer Service.</i>	<b>BPL1.5</b> • 1500 lm Emergency Battery Pack  <b>WLC(LED RU)</b> • EnOcean Wireless Control  *Leave blank if not specified	<b>DRDM</b> • 0-10V Dimming Driver	<b>UNV</b> • 120V-277V  <b>120V</b> • 120 Volt  <b>277V</b> • 277 Volt  <b>347V</b> • 347 Volt  <b>480V</b> • 480 Volt	<b>2</b> • Two LED Rows (S12 Option Only)  <b>3</b> • Three LED Rows (S18 Option Only)	<b>827</b> • 80+CRI / 2700K  <b>830</b> • 80+CRI / 3000K  <b>835</b> • 80+CRI / 3500K  <b>840</b> • 80+CRI / 4000K  <b>850</b> • 80+CRI / 5000K  <b>865</b> • 80+CRI / 6500K  <b>8TW</b> • 80+CRI Tunable White 2700K-6500K  90CRI Also available  <i>Contact customer service for additional CRI/CCT packages, including 90 CRI</i>
Standard options for FPA620 shown above. For additional options, including lumen packages, controls, lenses, switches, finishes, and more, visit <a href="http://www.lalighting.com/resources">www.lalighting.com/resources</a> or contact customer service.									

**MOUNTING HARDWARE**

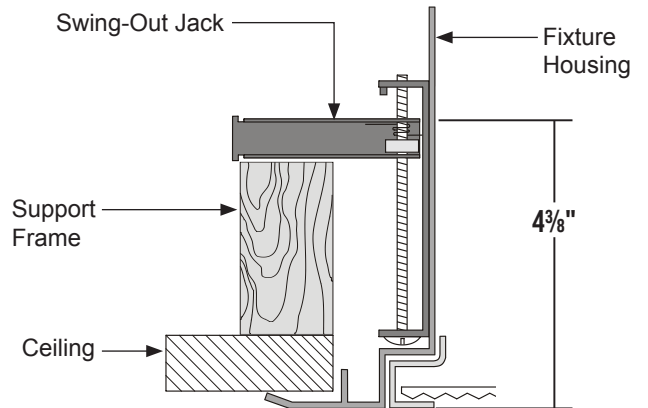
**HANGER YOKES: HS-24 1/2**

- Used to secure recessed flanged fixtures to support frame in hard ceilings
- Provided screws secure hanger yoke to fixture through knockouts in top of housing
- Two hanger yokes required for each 4' fixture.



**SWING-OUT JACKS: SOJ**

- Spring-loaded adjustable mounting brackets used to secure recessed flanged fixtures to support frame in hard ceilings
- Four swing-out jacks per set; 1 set required per fixture



**Los Angeles Lighting Mfg. Co.**  
 Contact Us  
 T: 626-454-8300 10141 Olney Street  
 F: 626-454-8399 El Monte, CA 91731  
[www.lalighting.com](http://www.lalighting.com) Made in the USA



Due to continued product improvements and enhancements, Los Angeles Lighting Manufacturing Company reserves the right to alter specifications, dimensions, data, and/or materials without notice. Please visit our website to view the most current information.

© 2024 LOS ANGELES LIGHTING MANUFACTURING CO. ALL RIGHTS RESERVED

Revised: 05/09/24



SYSTEM DATA: Additional Lumen Packages Available. Contact Customer Service for More Information

**12 Cell Normal Ambient Temperature**

4' - LED LUMEN PACKAGE	NORMAL AMBIENT TEMPERATURE PRODUCT CODE	DELIVERED LUMENS	SYSTEM WATTS	LUMINAIRE EFFICACY	AMBIENT TEMP.	FLUORESCENT EQUIVALENT	IES FILES
4000 Lumens (Nominal)	FPA620-4-4L-S12-DRDM-UNV-2/840	3253	24.9	130.7 lm/W	-20°C / 35°C (-4°F / 95°F)	1x F54T5HO 2x F32T8	*
6000 Lumens (Nominal)	FPA620-6-4L-S12-DRDM-UNV-2/840	4829	37.8	127.9 lm/W	-20°C / 35°C (-4°F / 95°F)	3x F32T8	*
8000 Lumens (Nominal)	FPA620-8-4L-S12-DRDM-UNV-2/840	6384	50.9	125.3 lm/W	-20°C / 35°C (-4°F / 95°F)	2x F54T5HO 4x F32T8	*
12000 Lumens (Nominal)	FPA620-12-4L-S12-DRDM-UNV-2/840	9425	78.0	120.8 lm/W	-20°C / 35°C (-4°F / 95°F)	3x F54T5HO 6x F32T8	*

**12 Cell Normal Ambient Temp High Efficacy**

4' - LED LUMEN PACKAGE	NORMAL AMBIENT TEMPERATURE (HIGH EFFICACY) PRODUCT CODE	DELIVERED LUMENS	SYSTEM WATTS	LUMINAIRE EFFICACY	AMBIENT TEMP.	FLUORESCENT EQUIVALENT	IES FILES
4000 Lumens (Nominal)	FPA620-4HE-4L-S12-DRDM-UNV-2/840	3305	24.6	134.4 lm/W	-20°C / 35°C (-4°F / 95°F)	1x F54T5HO 2x F32T8	*
6000 Lumens (Nominal)	FPA620-6HE-4L-S12-DRDM-UNV-2/840	4591	34.6	132.7 lm/W	-20°C / 35°C (-4°F / 95°F)	3x F32T8	*
8000 Lumens (Nominal)	FPA620-8HE-4L-S12-DRDM-UNV-2/840	6186	47.2	131.2 lm/W	-20°C / 35°C (-4°F / 95°F)	2x F54T5HO 4x F32T8	*
12000 Lumens (Nominal)	FPA620-12HE-4L-S12-DRDM-UNV-2/840	9345	72.8	128.3 lm/W	-20°C / 35°C (-4°F / 95°F)	3x F54T5HO 6x F32T8	*

**NOTE:**  
System data as of 6/9/25 (K-Boards when applicable).  
Luminaire efficiency: 12 cell 76.3%,  
Subject to change without notice.

System data is based on 120V input voltage. Actual performance may differ as a result of end-user environment and application. This fixture has been tested and listed in accordance with UL Standards. L.A. Lighting certifies that it will operate safely when installed properly, and within an ambient temperature range noted in the system data table.

Additional lumen packages and color temperatures available.

**18 Cell Normal Ambient Temperature**

4' - LED LUMEN PACKAGE	NORMAL AMBIENT TEMPERATURE PRODUCT CODE	DELIVERED LUMENS	SYSTEM WATTS	LUMINAIRE EFFICACY	AMBIENT TEMP.	FLUORESCENT EQUIVALENT	IES FILES
4000 Lumens (Nominal)	FPA620-4-4L-S18-DRDM-UNV-3/840	3184	24.7	129.2 lm/W	-20°C / 35°C (-4°F / 95°F)	1x F54T5HO 2x F32T8	*
6000 Lumens (Nominal)	FPA620-6-4L-S18-DRDM-UNV-3/840	4733	37.3	126.8 lm/W	-20°C / 35°C (-4°F / 95°F)	3x F32T8	*
8000 Lumens (Nominal)	FPA620-8-4L-S18-DRDM-UNV-3/840	5961	47.6	125.2 lm/W	-20°C / 35°C (-4°F / 95°F)	2x F54T5HO 4x F32T8	*
12000 Lumens (Nominal)	FPA620-12-4L-S18-DRDM-UNV-3/840	8990	73.7	122.0 lm/W	-20°C / 35°C (-4°F / 95°F)	3x F54T5HO 6x F32T8	*

**18 Cell Normal Ambient Temp High Efficacy**

4' - LED LUMEN PACKAGE	NORMAL AMBIENT TEMPERATURE (HIGH EFFICACY) PRODUCT CODE	DELIVERED LUMENS	SYSTEM WATTS	LUMINAIRE EFFICACY	AMBIENT TEMP.	FLUORESCENT EQUIVALENT	IES FILES
4000 Lumens (Nominal)	FPA620-4HE-4L-S18-DRDM-UNV-3/840	3243	24.5	132.5 lm/W	-20°C / 35°C (-4°F / 95°F)	1x F54T5HO 2x F32T8	*
6000 Lumens (Nominal)	FPA620-6HE-4L-S18-DRDM-UNV-3/840	4496	34.3	130.9 lm/W	-20°C / 35°C (-4°F / 95°F)	3x F32T8	*
8000 Lumens (Nominal)	FPA620-8HE-4L-S18-DRDM-UNV-3/840	6058	46.8	129.4 lm/W	-20°C / 35°C (-4°F / 95°F)	2x F54T5HO 4x F32T8	*
12000 Lumens (Nominal)	FPA620-12HE-4L-S18-DRDM-UNV-3/840	9157	72.2	126.9 lm/W	-20°C / 35°C (-4°F / 95°F)	3x F54T5HO 6x F32T8	*

**NOTE:**  
System data as of 6/9/25 (K-Boards when applicable).  
Luminaire efficiency: 18 cell 74%,  
Subject to change without notice.

System data is based on 120V input voltage. Actual performance may differ as a result of end-user environment and application. This fixture has been tested and listed in accordance with UL Standards. L.A. Lighting certifies that it will operate safely when installed properly, and within an ambient temperature range noted in the system data table.

Additional lumen packages and color temperatures available.



**Los Angeles Lighting Mfg. Co.**  
Contact Us  
T: 626-454-8300 10141 Olney Street  
F: 626-454-8399 El Monte, CA 91731  
www.lalighting.com Made in the USA



Due to continued product improvements and enhancements, Los Angeles Lighting Manufacturing Company reserves the right to alter specifications, dimensions, data, and/or materials without notice. Please visit our website to view the most current information.

© 2024 LOS ANGELES LIGHTING MANUFACTURING CO. ALL RIGHTS RESERVED

Revised: 05/09/24

