



SURFACE MOUNT ANG100

ANGLED LUMINAIRE

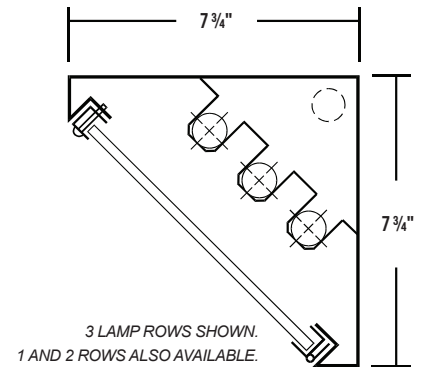


JOB	
TYPE	
DATE	

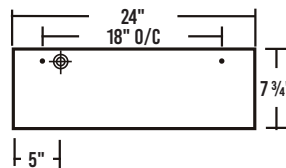
Corner / Wall / Ceiling Mounted LED Luminaire



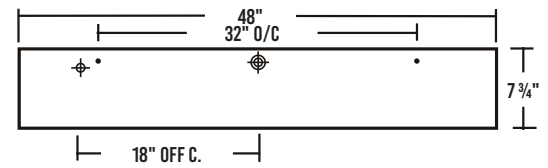
CROSS SECTION



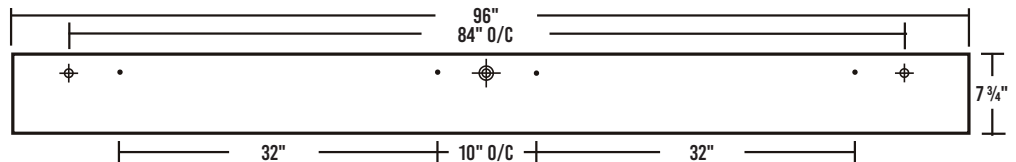
2' BACKPLATE



4' BACKPLATE



8' BACKPLATE



- 3/8" K.O.
- 7/8" OFFSET K.O.
- 2" K.O.

SPECIFICATIONS

Construction

- 20 gauge cold-rolled steel welded housing
- 20 gauge cold-rolled steel door frame with full-length piano hinge and captive screws

Finish

- Painted after fabrication
- Baked white powder-coated finish
- Minimum reflectance 90%

Optical

- Clear prismatic acrylic lens

Listing

- UL USA and Canada listed / suitable for damp locations

Warranty

- 5-Year limited warranty standard. 10-Year limited warranty also available

APPLICATIONS

- Commercial, Corridors

FEATURES

- Operates LED Tubes with internal drivers
- Range of lengths and lamp rows

OPTIONS

- Tamper-proof screws
- Safety switch
- Gasketing
- Customization available upon request



Los Angeles Lighting Mfg. Co.
 Contact Us
 T: 626-454-8300 10141 Olney Street
 F: 626-454-8399 El Monte, CA 91731
 www.lalighting.com Made in the USA



Due to continued product improvements and enhancements, Los Angeles Lighting Manufacturing Company reserves the right to alter specifications, dimensions, data, and/or materials without notice. Please visit our website to view the most current information.

© 2024 LOS ANGELES LIGHTING MANUFACTURING CO. ALL RIGHTS RESERVED

Revised: 04/02/24



ORDERING INFORMATION: Additional Options Available. Visit www.lalighting.com/resources for more information

EXAMPLE: ANG100-2-4LI-PA-TS2-LED8I-UNV								
SERIES	LAMP ROWS	NOMINAL LENGTH	LAMP WIRING	OPTICAL	MECHANICAL	ELECTRICAL	LUMINAIRE TYPE	VOLTAGE
ANG100								UNV
ANG100 • Angled Luminaire	1 • 1 Row 2 • 2 Rows 3 • 3 Rows	2L • 2' 4L • 4' 8L • 8'	I • Both Ends Powered, Shunted Sockets R • Single End Powered, Non-shunted Sockets <i>Available for 8' Luminaires Only:</i> IT • Both Ends Powered, Shunted Sockets • Two Lamps in Row, Tandem Wiring RT • Single End Powered, Non-Shunted Sockets • Two Lamps in Row, Tandem Wiring S • Slimline Lamp, Both Ends Powered • Not Available for T5 Lamps	PA • Clear Prismatic Acrylic FWA • Flat White Acrylic	TP • Tamper Proof Screws GSK • Gasketing *Leave blank if not specified	TS2 • Safety Switch *Leave blank if not specified	LED8I • T8 LED Tube (Both Ends Powered) LED8R • T8 LED Tube (Single End Powered) LED5I • T5 LED Tube (Both Ends Powered) LED5R • T5 LED Tube (Single End Powered)	UNV

LAMP WIRING

I - Internally Driven LED Tube

- Both ends powered
- Shunted sockets



R - Internally Driven LED Tube

- Single end powered
- Non-shunted sockets

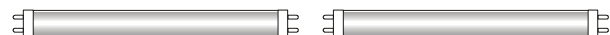


L - Line
N - Neutral

Available for 8' Luminaires Only

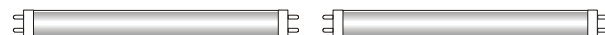
IT - Internally Driven LED Tube - Tandem

- Both ends powered
- Shunted sockets
- Two lamps in row



RT - Internally Driven LED Tube - Tandem

- Single end powered
- Non-shunted sockets
- Two lamps in row



S - Internally Driven LED Tube (Slimline)

- Both ends powered
- Shunted sockets
- Not available for T5 lamps



OPTIONS

ELECTRICAL

TS2 - Safety Switch

- Allows an individual luminaire to be switched on/off during re-lamping or maintenance.



Los Angeles Lighting Mfg. Co.
 Contact Us
 T: 626-454-8300 10141 Olney Street
 F: 626-454-8399 El Monte, CA 91731
www.lalighting.com Made in the USA



Due to continued product improvements and enhancements, Los Angeles Lighting Manufacturing Company reserves the right to alter specifications, dimensions, data, and/or materials without notice. Please visit our website to view the most current information.

© 2024 LOS ANGELES LIGHTING MANUFACTURING CO. ALL RIGHTS RESERVED

Revised: 04/02/24

