

# RGPA520 LED Retrofit Kit Installation Instructions

Drawing Number: IN1044\_RGPA520

**Read all instructions and warnings before attempting installation. Failure to heed warnings may increase risk of electrical shock, fire, personal injury, or death.**

**WARNING** Installation requires knowledge of the design and operation of the product's electrical systems and the hazards involved, and should only be performed by a qualified electrician.

**WARNING** Always disconnect power before attempting installation or service. Electrical shock resulting in serious injury or death can occur if power is not disconnected.

**WARNING** Make all electrical and grounded connections in accordance with the National Electrical Code (NEC) and any applicable local code requirements. All wiring connections should be capped with UL approved wire connectors.

**WARNING** Verify that the supply voltage is correct by comparing it with the information on the product label.

**WARNING** To prevent wiring damage or abrasion, do not expose wiring to edges of sheet metal or other sharp objects.

**WARNING** Only those holes indicated in the installation instructions should be made or altered during installation. Do not make or alter any existing holes in wiring enclosures or electrical components.

**WARNING** When drilling holes for mounting a luminaire or installing an LED Retrofit Kit, select drill areas that are clear of wiring and electrical components.

**WARNING** Wear gloves and safety glasses at all times when removing luminaire or replacement parts from carton, installing, servicing and performing maintenance.

**WARNING** Allow luminaire to cool before handling. Do not touch enclosure or light source while hot.

**WARNING** For cUL units, the LED Retrofit Kit is acceptable as a component of a luminaire where the suitability of the combination shall be determined by CSA or authorities having jurisdiction.

**WARNING** This product may contain chemicals known to the State of California to cause cancer, birth defects and/or other reproductive harm. Thoroughly wash hands after installing, handling, cleaning, or otherwise touching this product.



**Los Angeles Lighting Mfg. Co.**

Contact Us  
T: 626-454-8300 10141 Olney Street  
F: 626-454-8399 El Monte, CA 91731  
www.lalighting.com Made in the USA

Due to continued product improvements and enhancements, Los Angeles Lighting Manufacturing Company reserves the right to alter specifications, dimensions, data, and/or materials without notice. Please visit our website to view the most current information.

© 2025 LOS ANGELES LIGHTING MANUFACTURING CO. ALL RIGHTS RESERVED



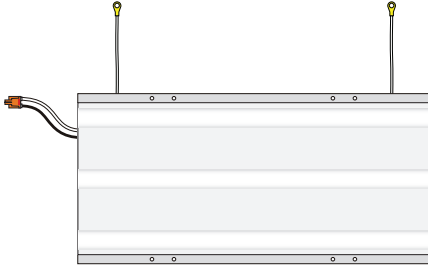
# RGPA520 LED Retrofit Kit Installation Instructions

Drawing Number: IN1044\_RGPA520

## PARTS CHECKLIST

### Pre-Wired LED Assembly, x1

Assembly with LED Boards, Driver and Driver Disconnect.



### Hardware/Documentation Package x1 Contents:



- Self-Drilling Screws x6
- 6" Purple Wire for 0-10V Dimming x1
- 6" Pink Wire for 0-10V Dimming x1
- Luminaire Modification Label x1
- Replacement Parts Label x1
- Installation Instructions x1

## INSTALLATION INSTRUCTIONS

**IMPORTANT** Always disconnect power before attempting installation.

**IMPORTANT** Check your retrofit kit against the parts list.

**IMPORTANT** To avoid the risk of damage, do not touch the LED boards during installation.

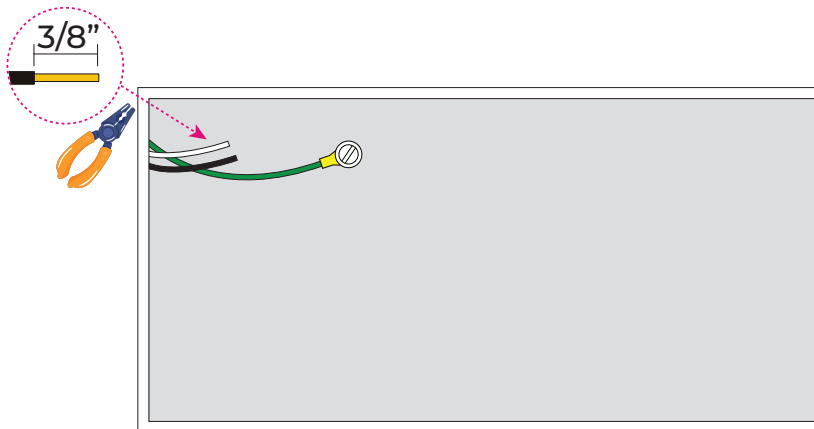
**IMPORTANT** The modification label and replacement parts label provided with the retrofit kit are required by UL. They must be applied to the luminaire housing before installation is complete.

### STEP 1

- Locate host fixture and disconnect power.

### STEP 2

- Remove door frame and/or lens assembly and place on a clean surface for later re-installation.
- If retrofitting from fluorescent, remove all wireway covers, fluorescent tubes, sockets, and ballast from fixture. If retrofitting from LED, remove LED cover plate and LED driver.
- Leave existing ground wire (green) attached.
- Identify power supply wires, clip and strip the ends 3/8" to prepare for use with the driver disconnect.



Host Fixture Housing



Los Angeles Lighting Mfg. Co.

Contact Us

T: 626-454-8300

F: 626-454-8399

www.lalighting.com

10141 Olney Street

El Monte, CA 91731

Made in the USA

Due to continued product improvements and enhancements, Los Angeles Lighting Manufacturing Company reserves the right to alter specifications, dimensions, data, and/or materials without notice. Please visit our website to view the most current information.

© 2025 LOS ANGELES LIGHTING MANUFACTURING CO. ALL RIGHTS RESERVED

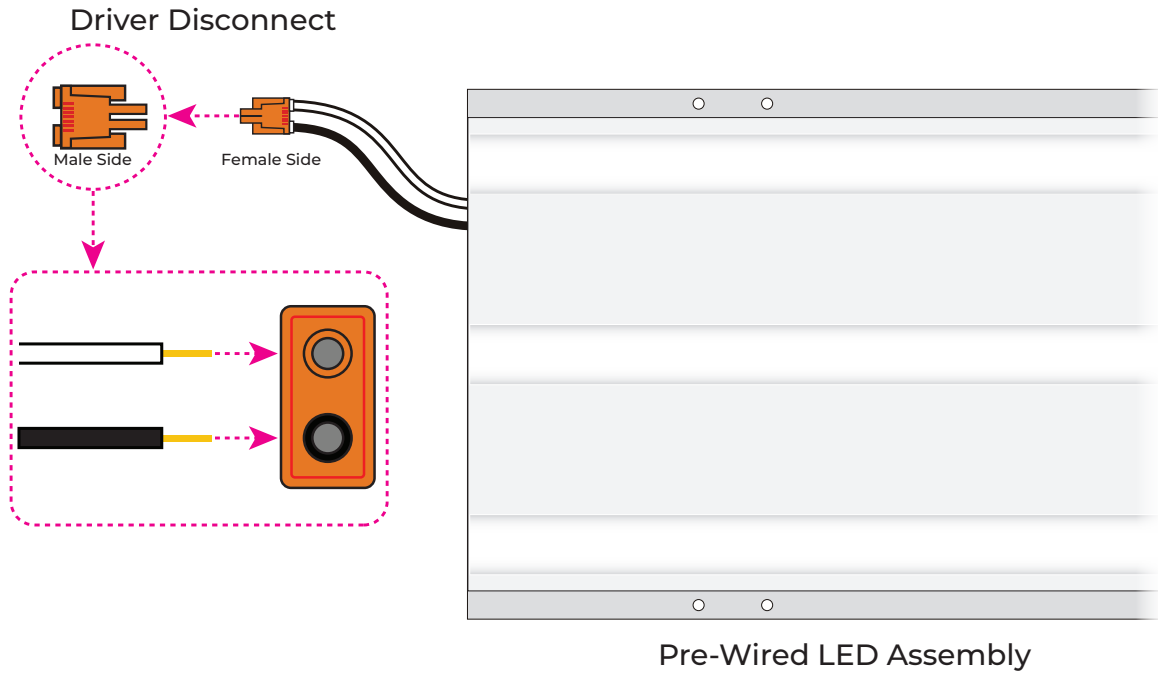


# RGPA520 LED Retrofit Kit Installation Instructions

## STEP 3

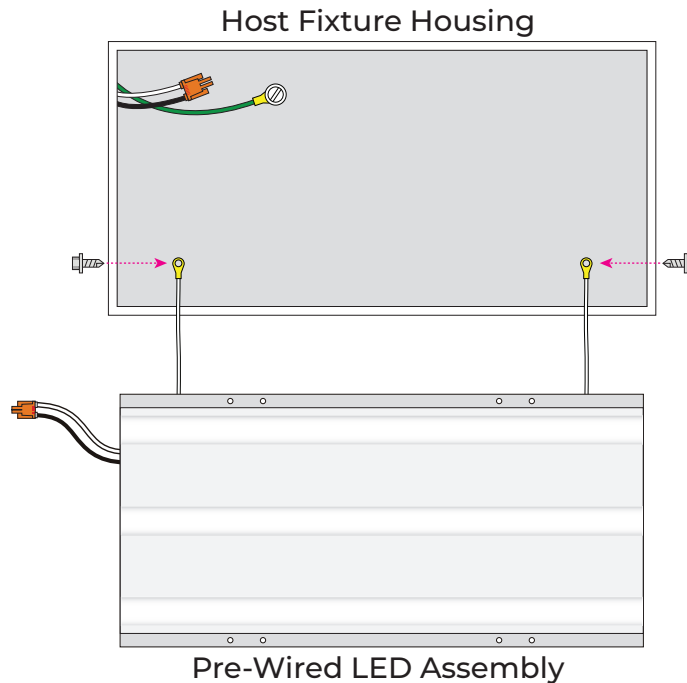
Drawing Number: IN1044\_RGPA520

- Separate male side of driver disconnect from the pre-wired LED Assembly, and connect it to the power supply wires.



## STEP 4

- Secure safety cables (white with ring-terminal) of the LED assembly to the host fixture, using two provided Self-Drilling screws. Be sure drilling area is clear of wires and electrical components.



**Los Angeles Lighting Mfg. Co.**  
Contact Us  
T: 626-454-8300 10141 Olney Street  
F: 626-454-8399 El Monte, CA 91731  
www.lalighting.com Made in the USA

Due to continued product improvements and enhancements, Los Angeles Lighting Manufacturing Company reserves the right to alter specifications, dimensions, data, and/or materials without notice. Please visit our website to view the most current information.

© 2025 LOS ANGELES LIGHTING MANUFACTURING CO. ALL RIGHTS RESERVED

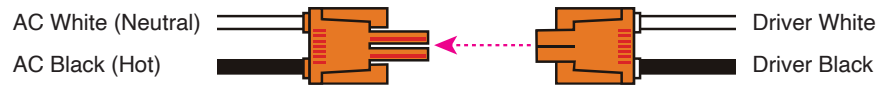


# RGPA520 LED Retrofit Kit Installation Instructions

Drawing Number: IN1044\_RGPA520

## STEP 5

- Connect driver disconnect: AC black to driver black, AC white to driver white.



## STEP 6

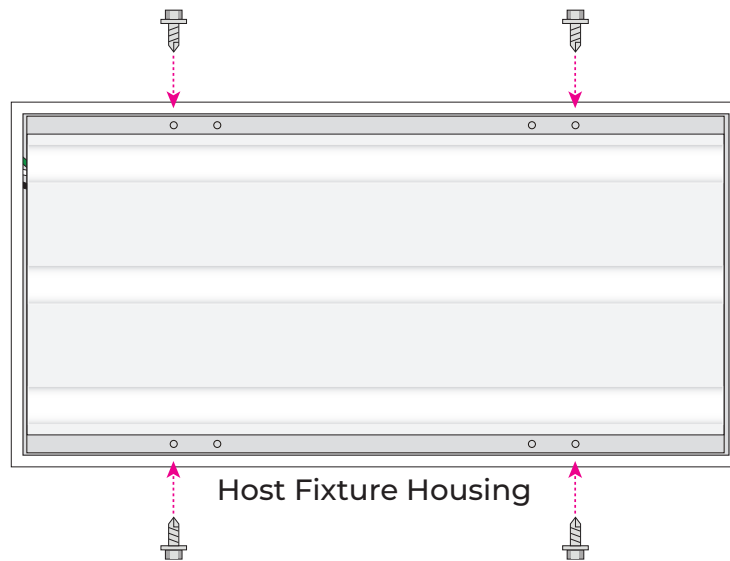
- Apply provided labels to the luminaire housing. Labels must be applied in compliance with UL standards.

**MANUFACTURER**  
LOS ANGELES LIGHTING MFG. CO.  
FOR REPLACEMENT, PROVIDE COMPLETE  
RETROFIT KIT PART NUMBER AND SPECIFY  
BOARD ASSEMBLY OR DRIVER IF NECESSARY

**THIS LUMINAIRE HAS BEEN MODIFIED  
TO OPERATE LED MODULES.  
DO NOT ATTEMPT TO INSTALL OR OPERATE  
FLUORESCENT OR LED TUBE LAMPS  
IN THIS LUMINAIRE.**

## STEP 7

- Install the LED assembly within the host fixture housing using the four provided self-drilling screws. Be sure drilling area is clear of wires and electrical components.



## STEP 8

- Reinstall door frame and/or lens assembly.
- Reconnect power.



**Los Angeles Lighting Mfg. Co.**  
Contact Us  
T: 626-454-8300 10141 Olney Street  
F: 626-454-8399 El Monte, CA 91731  
www.lalighting.com Made in the USA

Due to continued product improvements and enhancements, Los Angeles Lighting Manufacturing Company reserves the right to alter specifications, dimensions, data, and/or materials without notice. Please visit our website to view the most current information.

© 2025 LOS ANGELES LIGHTING MANUFACTURING CO. ALL RIGHTS RESERVED

