



# SECURITY BDL100

13" Square Luminaire

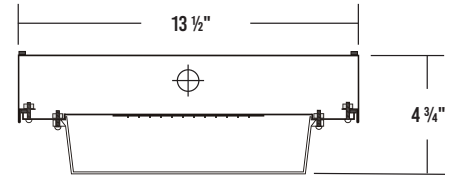


JOB	
TYPE	
DATE	

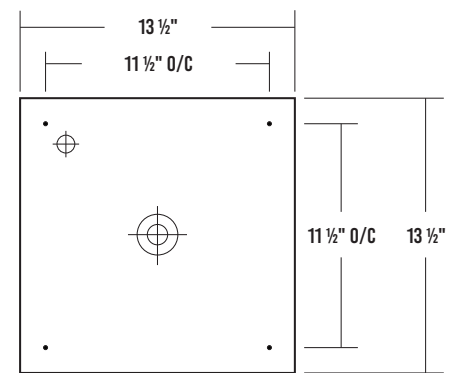
## SURFACE / PENDANT MOUNTED



## CROSS SECTION



## BACKPLATE



- 3/16" KO
- 7/8" Offset KO
- 2" KO

## SPECIFICATIONS

### Construction

- 20 gauge cold-rolled steel welded housing
- Aluminum heat sink
- Stainless steel screws
- Two side knockouts for 1/2" conduit (knockouts on opposite sides of fixture)

### Finish

- Painted after fabrication
- Baked white powder-coated finish
- Minimum reflectance 90%

### Optical

- Injection-molded polycarbonate lens

### Electrical

- High-efficiency drivers coupled with long-life LEDs
- Service life tested at 148,000 hours (L70)
- Universal voltage 120V through 277V (347V / 480V available)
- Power Factor (PF)  $\geq 0.9$
- Total Harmonic Distortion (THD)  $\leq 20\%$

### Listing

- UL USA and Canada listed / suitable for damp locations

### Warranty

- 5-Year limited warranty standard. 10-Year limited warranty also available

## APPLICATIONS

- Stairwells, Restrooms, Schools, Commercial

## FEATURES

- 0-10V dimming driver standard (other dimming types available)
- Supports California Title 24 compliance
- Suitable for damp locations

## OPTIONS

- Range of lumen packages and color temperatures
- Sensors and controls
- Emergency battery pack
- Custom housing colors
- Tamper-proof screws
- Pendant mounting adapter
- 15" square mounting plate
- Customization available upon request



**Los Angeles Lighting Mfg. Co.**  
 Contact Us  
 T: 626-454-8300 10141 Olney Street  
 F: 626-454-8399 El Monte, CA 91731  
 www.lalighting.com Made in the USA



Due to continued product improvements and enhancements, Los Angeles Lighting Manufacturing Company reserves the right to alter specifications, dimensions, data, and/or materials without notice. Please visit our website to view the most current information.

© 2025 LOS ANGELES LIGHTING MANUFACTURING CO. ALL RIGHTS RESERVED

Revised: 06/13/25



ORDERING INFORMATION: Additional Options Available. Visit [www.lalighting.com/resources](http://www.lalighting.com/resources) for more information

EXAMPLE: BDL100-4-1L-MSH-BPL1.5-DRDM-UNV-1/840										
SERIES	NOMINAL LED LUMENS	NOMINAL LENGTH	COLOR	MECHANICAL	CONTROLS	ELECTRICAL	DRIVER	VOLTAGE	# OF LED ROWS	CRI / CCT
BDL100		1L							1	
BDL100 • 13" Square Luminaire	2 - 2000 lm 3 - 3000 lm 4 - 4000 lm 6 - 6000 lm 8 - 8000 lm	1L • 1'	(Blank) • Standard White  BLK • Matte Black  BZ • Bronze  CS • Camaro Silver	TP • Tamper Proof Screws (Hex Socket with Post)  RN • Rivet Nut (required for SMA pendant mounting adapter - see mounting accessories section)  *Leave blank if not specified	MSH • Microwave Motion Sensor - On/Off  MSHSD • Microwave Motion Sensor - High/Low  PCS/SH • Photocell Sensor - On/Off with Light Shield  WLC(LED RU) • EnOcean® LED Relay Zone Controller  *Leave blank if not specified	BPL1.5 • 1500 lm emergency battery pack  *Leave blank if not specified	DRDM • 0-10V Dimming Driver  DRSD • Step Dimming Driver  DR2W • 120V 2-Wire Phase Dimming Driver (Must Specify 120V in Voltage Column)	UNV • 120V-277V  120V • 120 Volt  277V • 277 Volt  347V • 347 Volt  480V • 480 Volt	1 • One LED Row	830 • 80+CRI / 3000K  835 • 80+CRI / 3500K  840 • 80+CRI / 4000K  850 • 80+CRI / 5000K  Contact customer service for additional CRI/CCT packages.

Most common options for BDL100 shown above. For additional options, including lumen packages, controls, lenses, colors/finishes, cord & plug, switches, and more visit [www.lalighting.com/resources](http://www.lalighting.com/resources) or contact customer service.

## SENSORS AND CONTROLS

### High Frequency (Microwave) Motion Sensors

Detects movement through low density materials, including polycarbonate, acrylic and glass diffusers.

#### MSH - Microwave Motion Sensor – On/Off

- Turns luminaire on/off in response to motion

#### MSHSD - Microwave Motion Sensor – High/Low

- Increases/decreases illumination in response to motion

### Photocells

Senses ambient light levels. Typically used to hold luminaire OFF during daytime hours.

#### PCS / SH - Photocell Sensor – On/Off with Light Shield

- Turns luminaire on/off in response to ambient light levels
- Includes adjustable Light Shield

### Wireless Controls

#### WLC(LED RU) - EnOcean® LED Relay Zone Controller

- Pre-installed inside luminaire
- Can support a single luminaire or multiple daisy-chained luminaires

### Notes

1. MSH and MSHSD sensors are installed behind the fixture lens. The PCS/SH button-style sensor is mounted on the housing. For PIR sensors or other options, contact Customer Service.
2. For microwave motion sensing with photocell, specify both sensors. For example: MSH/ PCS/SH.



Los Angeles Lighting Mfg. Co.  
 Contact Us  
 T: 626-454-8300 10141 Olney Street  
 F: 626-454-8399 El Monte, CA 91731  
[www.lalighting.com](http://www.lalighting.com) Made in the USA



Due to continued product improvements and enhancements, Los Angeles Lighting Manufacturing Company reserves the right to alter specifications, dimensions, data, and/or materials without notice. Please visit our website to view the most current information.

© 2025 LOS ANGELES LIGHTING MANUFACTURING CO. ALL RIGHTS RESERVED

Revised: 06/13/25



## MECHANICAL OPTIONS

### TP - Tamper-Proof Screws

- 8x hex pin stainless steel tamper-proof screws



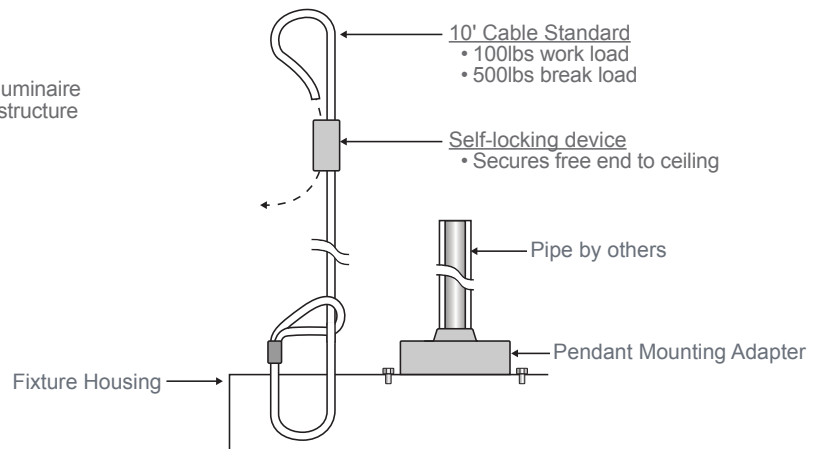
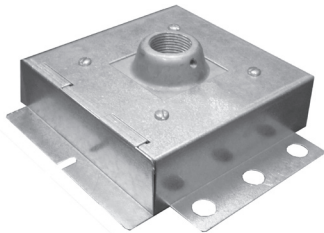
## MOUNTING ACCESSORIES

Mounting accessories are ordered separately from luminaire

### SMA - Pendant Mounting Adapter with Safety Cable

Item Number: 650280

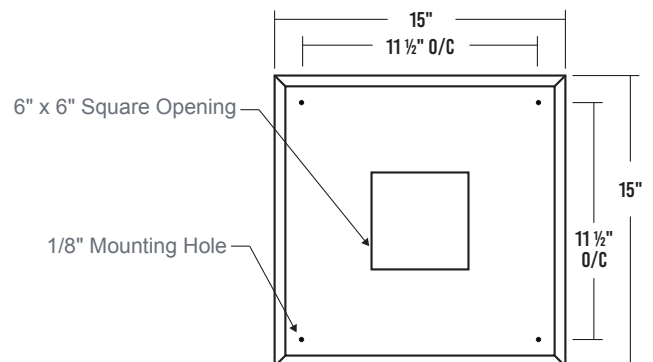
- Designed for single point pendant mount applications
- 20 gauge galvanized steel mounting adapter for 3/4" pipe
- Adapter box serves as enclosure for electrical connection to luminaire
- Includes pre-installed safety cable to be attached to building structure
- Must specify RN (Rivet Nut) option in luminaire part number.  
Example: **BDL100-4-1L-RN-DRDM-UNV-1/840**



### MP1515 - Mounting Plate

Item Number: 650340

- Optional 15" x 15" mounting plate to cover holes or damage to ceiling
- 18 gauge electrogalvanized steel
- Includes all necessary hardware to attach luminaire to mounting plate



**Los Angeles Lighting Mfg. Co.**  
 Contact Us  
 T: 626-454-8300 10141 Olney Street  
 F: 626-454-8399 El Monte, CA 91731  
 www.lalighting.com Made in the USA



Due to continued product improvements and enhancements, Los Angeles Lighting Manufacturing Company reserves the right to alter specifications, dimensions, data, and/or materials without notice. Please visit our website to view the most current information.

© 2025 LOS ANGELES LIGHTING MANUFACTURING CO. ALL RIGHTS RESERVED

Revised: 06/13/25



SYSTEM DATA: Additional Lumen Packages Available. Contact Customer Service for More Information

Normal  
Temp

1'	LED LUMEN PACKAGE	NORMAL AMBIENT TEMPERATURE PRODUCT CODE	DELIVERED LUMENS	SYSTEM WATTS	LUMINAIRE EFFICACY	AMBIENT TEMP.	FLUORESCENT EQUIVALENT	IES FILES
	2000 Lumens (Nominal)	BDL100-2-1L-DRDM-UNV- 1/840	2377	17.4	136.6 lm/W	-20°C / 35°C (-4°F / 95°F)	2x13W CFL	*
	3000 Lumens (Nominal)	BDL100-3-1L-DRDM-UNV-1/840	3452	24.8	139.1 lm/W	-20°C / 35°C (-4°F / 95°F)	2x26W CFL	*
	4000 Lumens (Nominal)	BDL100-4-1L-DRDM-UNV-1/840	4612	32.6	141.7 lm/W	-20°C / 35°C (-4°F / 95°F)	2x32W CFL	*
	6000 Lumens (Nominal)	BDL100-6-1L-DRDM-UNV-1/840	6054	48.1	125.8 lm/W	-20°C / 35°C (-4°F / 95°F)	4x26W CFL 2x57W CFL	*
	8000 Lumens (Nominal)	BDL100-8-1L-DRDM-UNV-1/840	7858	64.9	121.1 lm/W	-20°C / 35°C (-4°F / 95°F)	4x32W CFL, 2x70W CFL, 1x175W HID	*

**NOTE:**

System data as of 3/29/23.  
Subject to change without notice.

System data is based on 120V input voltage. Actual performance may differ as a result of end-user environment and application. This fixture has been tested and listed in accordance with UL Standards. L.A. Lighting certifies that it will operate safely when installed properly, and within an ambient temperature range noted in the system data table.

Additional lumen packages and color temperatures available.



**Los Angeles Lighting Mfg. Co.**  
 Contact Us  
 T: 626-454-8300 10141 Olney Street  
 F: 626-454-8399 El Monte, CA 91731  
 www.lalighting.com Made in the USA



Due to continued product improvements and enhancements, Los Angeles Lighting Manufacturing Company reserves the right to alter specifications, dimensions, data, and/or materials without notice. Please visit our website to view the most current information.

© 2025 LOS ANGELES LIGHTING MANUFACTURING CO. ALL RIGHTS RESERVED

Revised: 06/13/25

