

RBCW500 Series LED Retrofit Kit

Drawing Number: IN1040_RBCW500

Installation Instructions

Page 1 of 6

Read all instructions and warnings before attempting installation.

WARNING Risk of fire or electric shock. Luminaire wiring and electrical parts may be damaged when drilling for the installation of LED retrofit kit. Check for wiring and components.

WARNING Risk of fire or electric shock. LED Retrofit Kit installation requires knowledge of construction and operation of the luminaire's electrical systems and the hazards involved. If not qualified, do not attempt installation. Contact a qualified electrician.

WARNING Risk of fire or electric shock. Install this kit only in the luminaires that have the construction features and dimensions shown in the photographs and/or drawings and where the input rating of the retrofit kit does not exceed the input rating of the luminaire.

WARNING To prevent wiring damage or abrasion, do not expose wiring to edges of sheet metal or other sharp objects.

WARNING Electrical shock can occur during retrofit component installation if power is not turned off.

WARNING Do not make or alter any open holes in and enclosure of wiring or electrical components during kit installation.

WARNING Only those open holes indicated in the photographs and/or drawings may be made or altered as a result of kit installation. Do not leave any other open holes in an enclosure of wiring or electrical components.

WARNING Risk of personal injury. Wear gloves and safety glasses at all times when removing from carton, installing, servicing and maintaining this equipment.

For cUL units, THE RETROFIT KIT IS ACCEPTABLE AS A COMPONENT OF A LUMINAIRE WHERE THE SUITABILITY OF THE COMBINATION SHALL BE DETERMINED BY CSA OR AUTHORITIES HAVING JURISDICTION.

Los Angeles Lighting Mfg. Co. assumes no responsibility for claims arising out of improper or careless handling or installation of this product.



Los Angeles Lighting Mfg. Co.

10141 OLNEY ST. / EL MONTE, CA 91731

Tel : 626-454-8300 Fax : 626-454-8399 www.lalighting.com

RBCW500 Series LED Retrofit Kit

Drawing Number: IN1040_RBCW500

Installation Instructions

Page 2 of 6

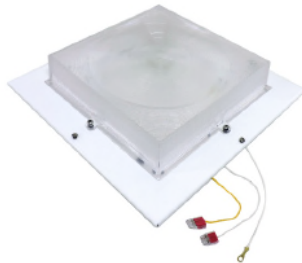
Read all instructions and warnings before attempting installation.

PARTS LIST

- **Pre-Wired LED Assembly, 1x**

Assembly with LED boards, Safety cable and Driver Disconnect.

*May include integrated microwave motion sensor



- **Driver, 1x**

Additional parts when ordering with battery backup:

Emergency backup battery pack, 1x
Philips head self-drilling screw, 2x
Pal Nuts, 2x
Tooth Washer, 2x
Battery pack label, 1x

- **Hardware Package, 1x**

Package contains the below items:



Self-Drilling Tek Screw, 1x



Pal Nuts, 2x



No. 8 External Tooth, Zinc Washer, 1x



TP Hex Bit, 1x (Optional)

- **Wires Supplied for 3000lm Driver Only**

6" Wire-Purple for 0-10v Dimming, 1x

6" Wire-Grey for 0-10v Dimming, 1x

6" Wire-Green for Ground, 1x

- **Labels, 2x**

Luminaire Modification Label, 1x
Replacement Parts Marking Label, 1x
BALLAST LEAD DISCONNECT Label, 1x

IMPORTANT Check your retrofit kit against the parts list.

IMPORTANT Do not touch the LEDs during installation to prevent the risk of damaging LEDs.

IMPORTANT Always disconnect power before attempting installation.

IMPORTANT A label with model number and date of manufacture is included in the package and must be installed in the luminaire once installation is complete. This label must be applied in compliance with the UL standard.

IMPORTANT Installation requires application of the Luminaire Modification Label in your kit, as per UL. This label includes the statement: "This fixture has been modified and can no longer operate the originally intended lamp". This label should be applied to the fixture housing once installation is complete.



Los Angeles Lighting Mfg. Co.

10141 OLNEY ST. / EL MONTE, CA 91731

Tel : 626-454-8300 Fax : 626-454-8399 www.lalighting.com

RBCW500 Series LED Retrofit Kit

Drawing Number: IN1040_RBCW500

Installation Instructions

Page 3 of 6

Read all instructions and warnings before attempting installation.

Step 1

Locate the fluorescent lighting fixture (host fixture) that's to be retrofitted, **DISCONNECT POWER.**

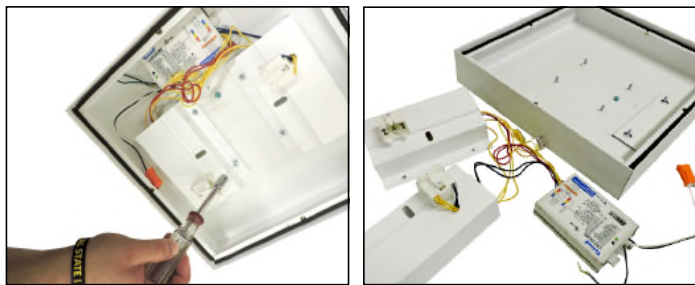
Step 2

Remove lens assembly from the host fixture. Keep four machine screws in a safe place, these screws will be used to secure LED assembly back to the host fixture. **DO NOT DISCARD SCREWS.**

Remove existing cover, socket plates, and ballast from the host fixture.

Leave existing Ground (Green) screw attached, **DO NOT REMOVE.**

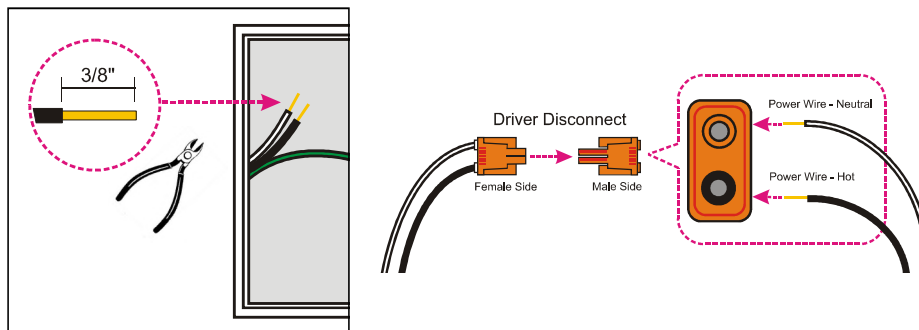
Recycle or properly dispose of all components removed from host fixture.



Step 3

Identify power supply wires, clip and strip the ends 3/8".

Separate male side of driver disconnect from the Pre-Wired LED assembly, and install it to the power supply wires. (AC Black to Driver Black / AC White to Driver White).



Step 4

Secure safety cable by provided TEK screw.



Los Angeles Lighting Mfg. Co.

10141 OLNEY ST. / EL MONTE, CA 91731

Tel : 626-454-8300 Fax : 626-454-8399 www.lalighting.com

RBCW500 Series LED Retrofit Kit

Drawing Number: IN1040_RBCW500

Installation Instructions

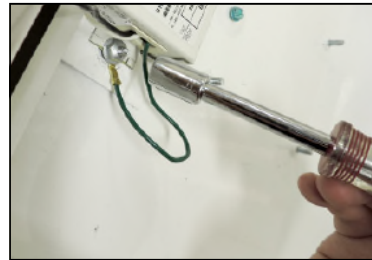
Page 4 of 6

Read all instructions and warnings before attempting installation.

Step 5

Install LED driver into the Host fixture using provided two pal nuts.

If the LED driver is self grounding, place provided star washer under the Ring-Terminal of Ground (Green) wire then secure the LED driver with the provided nut.

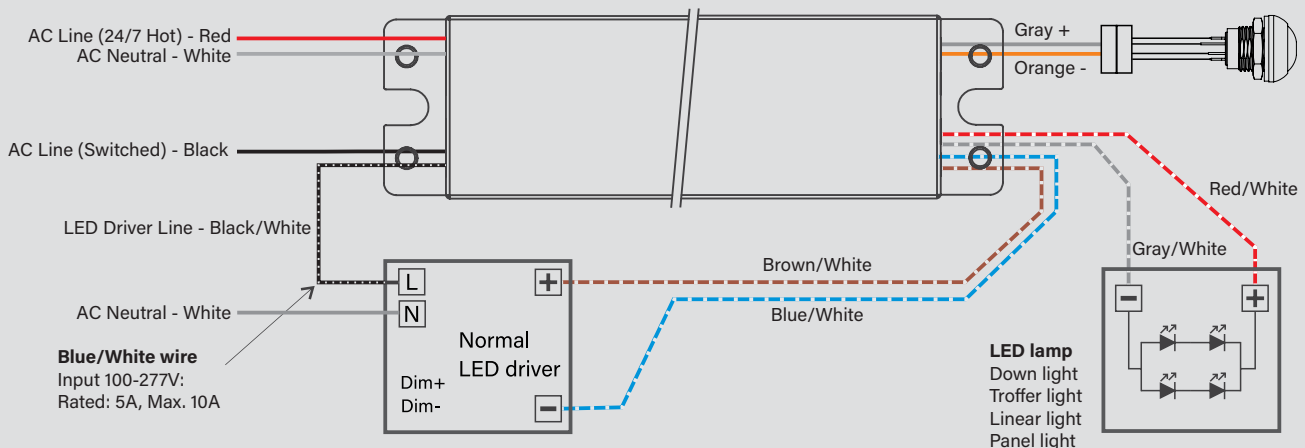


If your retrofit kit includes an emergency battery pack, proceed to step 6. If not, skip to step 7.

Step 6

Install emergency battery pack using provided Pal Nuts and tooth washers with existing studs, or Philips head self-drilling screws. Connect the emergency battery pack following the diagram below. **Proceed to step 9.**

Wiring for Keystone KT-EMRG-LED-10C-1000-EN3



Los Angeles Lighting Mfg. Co.

10141 OLNEY ST. / EL MONTE, CA 91731

Tel : 626-454-8300 Fax : 626-454-8399 www.lalighting.com

RBCW500 Series LED Retrofit Kit

Drawing Number: IN1040_RBCW500

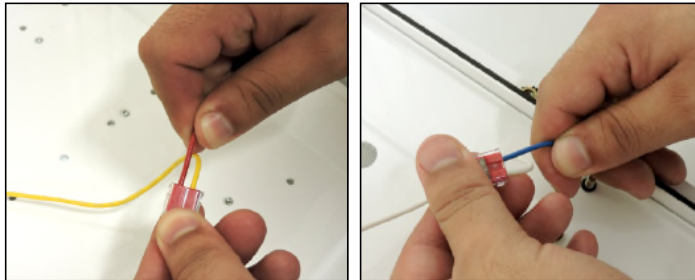
Installation Instructions

Page 5 of 6

Read all instructions and warnings before attempting installation.

Step 7

Connect LED driver Blue (-) and Red (+) wires to the LED assembly by pushing the wire to the push-in connector.
(Driver Blue to LED White / Driver Red to LED Yellow)



If your retrofit kit includes a microwave sensor, proceed to step 8. If not, skip to step 9.



Los Angeles Lighting Mfg. Co.

10141 OLNEY ST. / EL MONTE, CA 91731

Tel : 626-454-8300 Fax : 626-454-8399 www.lalighting.com

RBCW500 Series LED Retrofit Kit

Drawing Number: IN1040_RBCW500

Installation Instructions

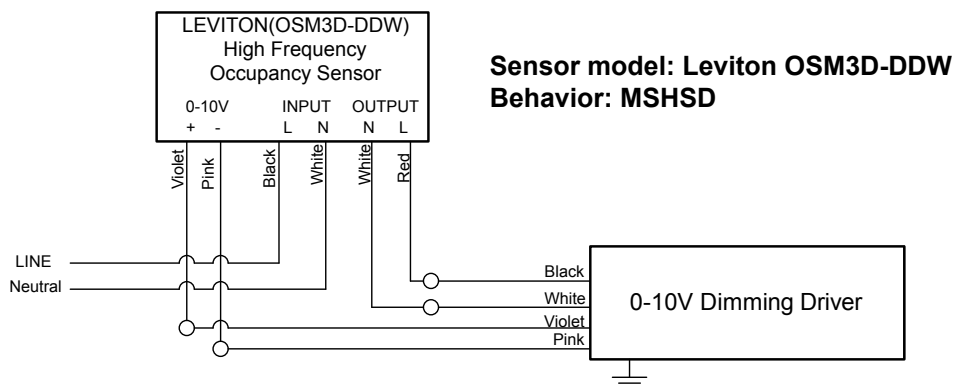
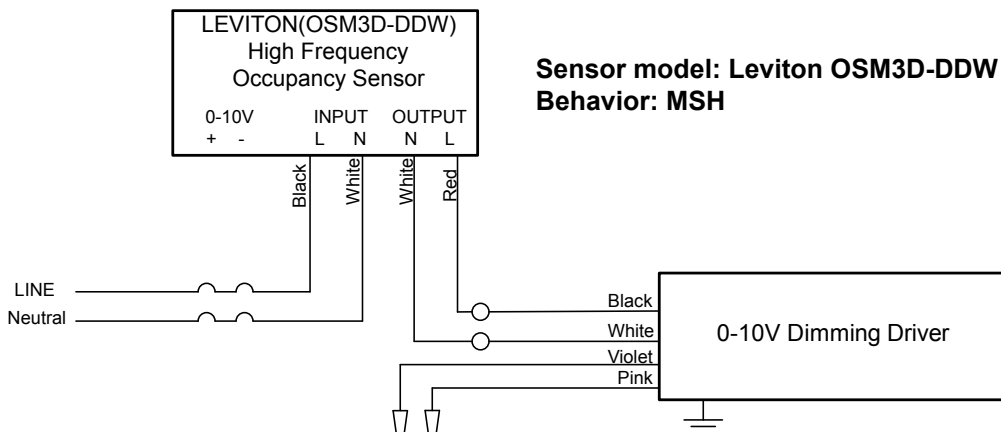
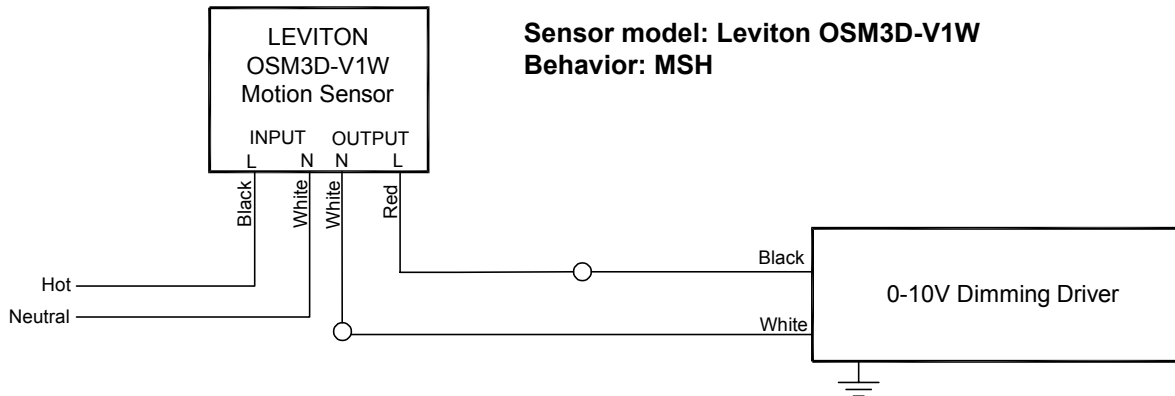
Page 5 of 6

Read all instructions and warnings before attempting installation.

Step 8

Connect the microwave sensor to the Driver following the diagram below. Female side of driver disconnect may need to be repositioned.

Important: Sensor model is indicated on side of sensor. Sensor behavior (MSH or MSHSD) must match suffix in part number.
Ex.: RBCW500-3-1L-MSH-DRDM-UNV-1/840



Los Angeles Lighting Mfg. Co.

10141 OLNEY ST. / EL MONTE, CA 91731

Tel : 626-454-8300 Fax : 626-454-8399 www.lalighting.com

RBCW500 Series LED Retrofit Kit

Drawing Number: IN1040_RBCW500

Installation Instructions

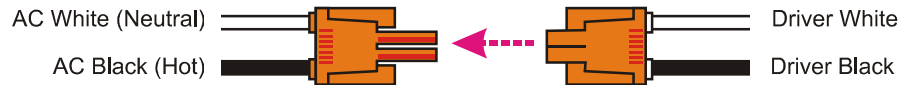
Page 6 of 6

Read all instructions and warnings before attempting installation.

Step 9

Connect Driver Disconnect.

(AC Black to Driver Black / AC White to Driver White)



Step 10

Assemble the provided LED assembly onto the host fixture using existing four machine screws.



Step 11

Turn on power.



Los Angeles Lighting Mfg. Co.

10141 OLNEY ST. / EL MONTE, CA 91731

Tel : 626-454-8300 Fax : 626-454-8399 www.lalighting.com