



BAYLIGHTER® HBN200

® 15 3/4" WIDE INDUSTRIAL HIGH BAY LUMINAIRE



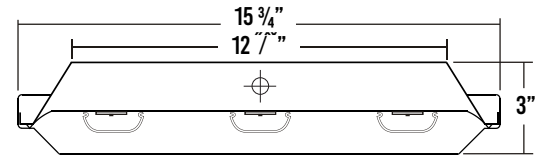
JOB	
TYPE	
DATE	

WWW.LALIGHTING.COM

TEL: 626-454-8300

DIMENSIONS

CROSS SECTION



⊕ 2" K.O. ⊕ 7/8" K.O. ⊕ 1/16" STEM MOUNTING K.O. ▬ V-HOOK HOLE

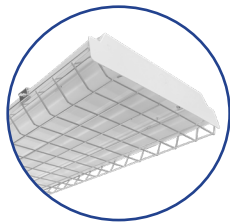
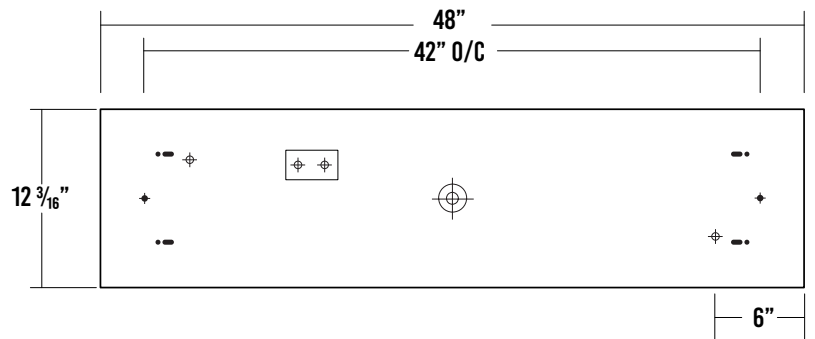


Frosted acrylic lenses



Without lenses

4' BACK PLATE



Optional wire guard

SPECIFICATIONS

CONSTRUCTION

- 22 gauge die-formed cold-rolled steel housing
- 18 gauge cold-rolled steel end caps

FINISH

- Baked white polyester finish / minimum reflectance 86%
- End plates - powder coated finish / painted after fabrication

OPTICAL

- Standard options: frosted acrylic lenses or no lenses

ELECTRICAL

- High efficiency drivers coupled with long-life LEDs
- Service life tested at 50,000 hours (L70)
- Universal voltage 120V through 277V (347V / 480V available)
- Power Factor (PF) ≥ 0.9
- Total Harmonic Distortion (THD) ≤ 20%

LISTING

- UL USA and Canada listed / suitable for damp locations

WARRANTY

5-Year limited warranty standard. 10-Year limited warranty also available

APPLICATIONS

- Warehouse, Industrial, Commercial

FEATURES

- High (HT) ambient temperature
- 0-10V Dimming driver standard
- Safety cables attach LED tray to housing for easy installation and maintenance
- Supports California Title 24 compliance

OPTIONS CONTACT CUSTOMER SERVICE FOR ADDITIONAL OPTIONS

- Lens
- Controls
- Custom housing colors
- Emergency battery pack
- 10 kV surge protector
- 11 gauge wire guard
- 20 gauge cold-rolled steel
- Cord & plug
- Customization available upon request

CUSTOM COLORS

BLK - Matte Black

CS - Camaro Silver

BZ - Statuary Bronze



Variety of RAL colors available upon request.



Los Angeles Lighting Mfg. Co.

Contact Us

T: 626-454-8300
F: 626-454-8399
www.lalighting.com

10141 Olney Street
El Monte, CA 91731
Made in the USA



Due to continued product improvements and enhancements, Los Angeles Lighting Manufacturing Company reserves the right to alter specifications, dimensions, data, and/or materials without notice. Please visit our website to view the most current information.

© 2025 LOS ANGELES LIGHTING MANUFACTURING CO. ALL RIGHTS RESERVED.

Revised: 10/1/2025



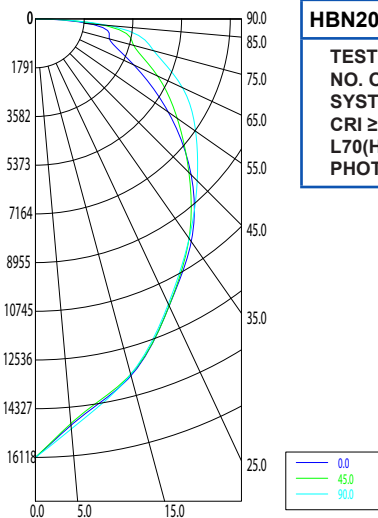
ORDERING INFORMATION

ADDITIONAL OPTIONS AVAILABLE. VISIT WWW.LALIGHTING.COM/RESOURCES FOR MORE INFORMATION

EXAMPLE: HBN200-42-4L-BPL3.0-DRDM-UNV-3/850HT

SERIES	NOMINAL LED LUMENS	NOMINAL LENGTH	OPTICAL	CONTROLS	ELECTRICAL	DRIVER	VOLTAGE	# OF LED ROWS	CRI / CCT	AMBIENT TEMP.
HBN200		4						3		HT
HBN200 • 15 3/4" Wide Industrial High Bay	30 - 30000lm 36 - 36000lm 42 - 42000lm 48 - 48000lm 50 - 50000lm ¹	4 • 4L	(Blank) • No Lens Assembly FRA • Frosted Acrylic Lenses	MSPCD(xx) ² • Motion Sensor & Photocell Dimming • Lens Option MSPC(xx) • Motion Sensor & Photocell • Lens Option MSSD(xx) • Motion Sensor Step Dimming (Bi-Level) • Lens Option MS(xx) • Motion Sensor • Lens Option WLC(xx) • Wireless Control *Leave blank if not specified	BPL1.5 • 1500lm Emergency Battery Pack BPL3.0 • 3000lm Emergency Battery Pack SP10 • 10kV Surge Protector C(xx) • Cord 18 ga. 3-wire • Plug Options • NEMA Plug Type • Length of Cord • Location on the fixture *Leave blank if not specified	DRDM • 0-10V Dimming Driver	UNV • 120V-277V 120V • 120 Volt 277V • 277 Volt 347V • 347 Volt 480V • 480 Volt	3 • 3 LED Rows	835 • 80+CRI / 3500K 840 • 80+CRI / 4000K 850 • 80+CRI / 5000K Contact customer service for additional CRI / CCT packages, including 90CRI	HT • High Ambient Temp.
Standard options for HBN200 shown above. For additional options, including lumen packages, controls, lenses, switches, finishes, and more, visit www.lalighting.com/resources or contact customer service.										
¹ 50000lm option available only for lensless model ² By default, sensors are integrally mounted in middle of luminaire, between LED rows. For end mounting, use suffix "E" after sensor callout. For example, an end-mounted motion sensor with step dimming would be referred to as MSSDE(xx). See www.lalighting.com/resources for more information.										

PHOTOMETRIC DATA



HBN200-42-4L-FRA-DRDM-UNV-3/850HT	
TEST NO. =	LA-T3886a
NO. OF LED ROWS =	3
SYSTEM WATT (W) =	256.7
CRI ≥	80
L70(Hrs.) ≥	50,000
PHOTOMETRY TYPE =	C

ZONAL LUMEN SUMMARY			
DEGREES	LUMENS	% LAMP	% FIXTURE
0-30	10653	25.22	26.56
0-40	16862	39.93	42.04
0-60	28954	68.56	72.19
0-90	39924	94.53	99.53
90-120	186	0.44	0.46
90-150	186	0.44	0.47
90-180	186	0.44	0.47
0-180	40110	94.97	100.0

SPACING CRITERION	
ALONG	ACROSS
1.01	1.00

Luminaire Output = 40110 lumens
 Luminaire Efficacy = 156.2 lm/W
 Luminaire Efficiency = 94.97%



Los Angeles Lighting Mfg. Co.
 Contact Us
 T: 626-454-8300
 F: 626-454-8399
www.lalighting.com
 10141 Olney Street
 El Monte, CA 91731
 Made in the USA



Due to continued product improvements and enhancements, Los Angeles Lighting Manufacturing Company reserves the right to alter specifications, dimensions, data, and/or materials without notice. Please visit our website to view the most current information.

© 2025 LOS ANGELES LIGHTING MANUFACTURING CO. ALL RIGHTS RESERVED.

Revised: 10/1/2025



SYSTEM DATA

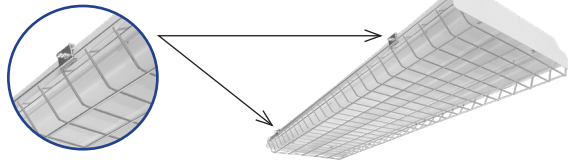
ADDITIONAL LUMEN PACKAGES AVAILABLE. CONTACT CUSTOMER SERVICE FOR MORE INFORMATION

4' - LED LUMEN PACKAGE	HIGH AMBIENT TEMPERATURE PRODUCT CODE	DELIVERED LUMENS	SYSTEM WATTS	LUMINAIRE EFFICACY	AMBIENT TEMP.	LEGACY EQUIVALENT	IES FILES
30000 Lumens (Nominal)	HBN200-30-4L-DRDM-UNV-3/850HT	30376 lm	184.5	164.6 lm/W	-30°C / 50°C (-22°F / 122°F)	8-F54T5HO	*
30000 Lumens (Nominal)	HBN200-30-4L-FRA-DRDM-UNV-3/850HT	28866 lm	184.5	156.4 lm/W	-30°C / 50°C (-22°F / 122°F)	8-F54T5HO	*
36000 Lumens (Nominal)	HBN200-36-4L-DRDM-UNV-3/850HT	36073 lm	225.9	159.6 lm/W	-30°C / 50°C (-22°F / 122°F)	750W HID	*
36000 Lumens (Nominal)	HBN200-36-4L-FRA-DRDM-UNV-3/850HT	34279 lm	225.9	151.7 lm/W	-30°C / 47°C (-22°F / 116°F)	750W HID	*
42000 Lumens (Nominal)	HBN200-42-4L-DRDM-UNV-3/850HT	42208 lm	256.7	164.4 lm/W	-30°C / 48°C (-22°F / 118°F)	750W HID	LA-T3887a
42000 Lumens (Nominal)	HBN200-42-4L-FRA-DRDM-UNV-3/850HT	40110 lm	256.7	156.2 lm/W	-30°C / 42°C (-22°F / 107°F)	750W HID	LA-T3886a
48000 Lumens (Nominal)	HBN200-48-4L-DRDM-UNV-3/850HT	48136 lm	299.2	160.5 lm/W	-30°C / 43°C (-22°F / 109°F)	1000W HID	*
48000 Lumens (Nominal)	HBN200-48-4L-FRA-DRDM-UNV-3/850HT	45742 lm	299.2	152.8 lm/W	-30°C / 35°C (-22°F / 95°F)	1000W HID	*
50000 Lumens (Nominal)	HBN200-50-4L-DRDM-UNV-3/850HT	50199 lm	314.8	159.4 lm/W	-30°C / 47°C (-22°F / 116°F)	1000W HID	*

NOTE:
 System data is based on 120V input voltage. Actual performance may differ as a result of end-user environment and application.
 This fixture has been tested and listed in accordance with UL Standards. L.A. Lighting certifies that it will operate safely when installed properly, and within an ambient temperature range noted in the system data table.
 Additional lumen packages and color temperatures available.

ACCESSORIES

Wire Guard Clips

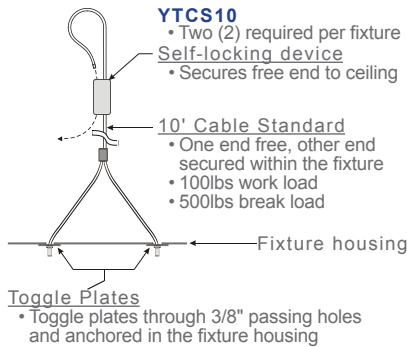


Wire Guard

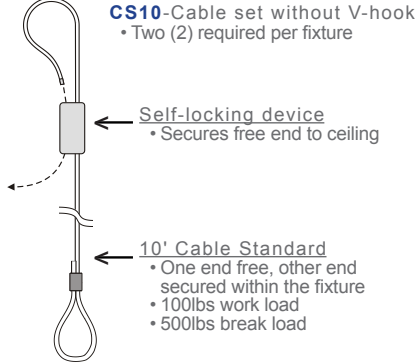
- 11 gauge wire guard, powder coated finish
- Includes all necessary wire guard attachment clips

CATALOG NUMBER	ACCESSORY DESCRIPTION
WG11-HBN200	4' WIRE GUARD

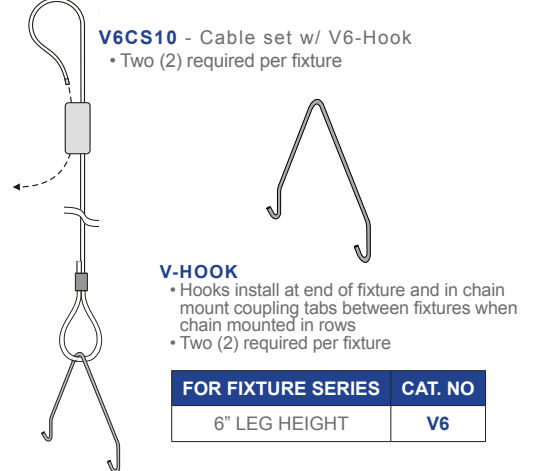
Y-TOGGLE-END / CABLE SUSPENSION SYSTEM



CABLE SUSPENSION SYSTEM



V-HOOK / CABLE SUSPENSION SYSTEM



Los Angeles Lighting Mfg. Co.
 Contact Us
 T: 626-454-8300
 F: 626-454-8399
 www.lalighting.com

10141 Olney Street
 El Monte, CA 91731
 Made in the USA



Due to continued product improvements and enhancements, Los Angeles Lighting Manufacturing Company reserves the right to alter specifications, dimensions, data, and/or materials without notice. Please visit our website to view the most current information.

© 2025 LOS ANGELES LIGHTING MANUFACTURING CO. ALL RIGHTS RESERVED.

Revised: 10/1/2025

