



BAYLIGHTER® LED

PBL220 SERIES

PENDANT-MOUNTED HIGH BAY LUMINAIRE

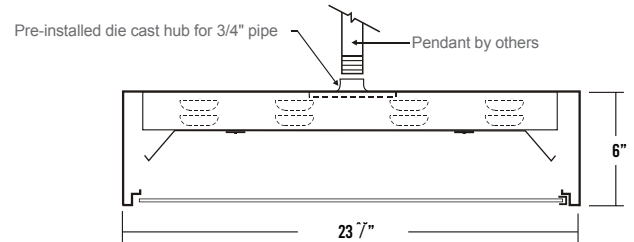
JOB	
TYPE	
DATE	

WWW.LALIGHTING.COM

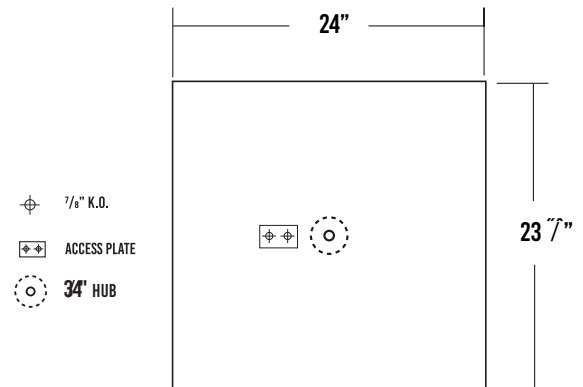
TEL: 626-454-8300

DIMENSIONS

CROSS SECTION



2' X 2' BACK PLATE



SPECIFICATIONS

CONSTRUCTION

- 20 gauge cold-rolled steel housing with louvered vents for heat removal
- 20 gauge cold-rolled steel door frame (extruded aluminum finish is available) secured by T-hinges and positive spring loaded latches
- One way polyurethane gasket standard
- Die cast center hub for 3/4" pipe

FINISH

- Baked white powder-coated finish
- Painted after fabrication
- Minimum reflectance 90

OPTICAL

- Clear prismatic acrylic lens standard

ELECTRICAL

- High-efficiency drivers coupled with long-life LED
- Service life tested at 50,000 hours (L70)
- Universal voltage 120V through 277V (347V / 480V available)
- Power Factor (PF) ≥ 0.9
- Total Harmonic Distortion (THD) ≤ 20%

LISTING

- UL USA and Canada listed / suitable for damp locations

WARRANTY

- 5-Year limited warranty standard, 10-Year limited warranty available

APPLICATIONS

- Commercial, Retail, Auditorium, High Bay

FEATURES

- High (HT) ambient temperature version for extreme temperature ranges
- 0-10V Dimming driver standard
- Supports California Title 24 compliance
- Safety cables attached to door frame and LED gear tray
- Formed air slot that allows air circulation for heat removal

OPTIONS CONTACT CUSTOMER SERVICE FOR ADDITIONAL OPTIONS

- Controls
- Custom housing colors
- Emergency battery pack
- 10 kV surge protector
- Tunable white (2700K - 6500K)
- Customization available upon request

CUSTOM COLORS

BLK - Matte Black

CS - Camaro Silver

BZ - Statuary Bronze



Variety of RAL colors available upon request.



Los Angeles Lighting Mfg. Co.
 Contact Us
 T: 626-454-8300
 F: 626-454-8399
 www.lalighting.com

10141 Olney Street
 El Monte, CA 91731
 Made in the USA



Due to continued product improvements and enhancements, Los Angeles Lighting Manufacturing Company reserves the right to alter specifications, dimensions, data, and/or materials without notice. Please visit our website to view the most current information.

© 2025 LOS ANGELES LIGHTING MANUFACTURING CO. ALL RIGHTS RESERVED.

Revised: 10/1/2025



ORDERING INFORMATION

ADDITIONAL OPTIONS AVAILABLE. VISIT WWW.LALIGHTING.COM/RESOURCES FOR MORE INFORMATION

EXAMPLE: PBL220-16-2L-FSW-PA-BPL3.0-DRDM-UNV-2/850HT

SERIES	NOMINAL LED LUMENS	NOMINAL LENGTH	DOOR FRAME	OPTICAL	CONTROLS	ELECTRICAL	DRIVER	VOLTAGE	# OF LED ROWS	CRI / CCT	AMBIENT TEMP.
PBL220		2L									HT
PBL220 • Pendant-Mounted High Bay Luminaire	8 - 8000lm 12 - 12000lm 16 - 16000lm 20 - 20000lm 24 - 24000lm	2L • 2'	FSW • Flat Steel White Enamel	PA • Clear Prismatic Acrylic PA2 • Clear Prismatic Acrylic Nom. 0.125 FPA2 • Frosted Prismatic Acrylic Nom. 0.125 FFWA • Flat Frosted White Acrylic Nom. 0.125	MSH • Motion Sensor High Frequency (Microwave) MSHSD • Motion Sensor High Frequency Step Dimming (Microwave) WLC(xx) • Wireless Control *Leave blank if not specific	BPL1.5 • 1500lm Emergency Battery Pack BPL3.0 • 3000lm Emergency Battery Pack SP10 • 10 kV Surge Protector *Leave blank if not specified	DRDM • 0-10V Dimming Driver	UNV • 120V - 277V 120V • 120 Volt 277V • 277 Volt 347V • 347 Volt 480V • 480 Volt	2 • 2 LED Rows (For 8000lm, 12000lm, and 16000lm options) 4 • 4 LED Rows (For 20000lm, and 24000lm options)	835 • 80+CRI / 3500K 840 • 80+CRI / 4000K 850 • 80+CRI / 5000K Contact customer service for additional CRI/CCT packages	HT • High Ambient Temp.

Standard options for PBL220 shown above. For additional options, including lumen packages, controls, lenses, switches, finishes, and more, visit www.lalighting.com/resources or contact customer service.

SYSTEM DATA

ADDITIONAL LUMEN PACKAGES AVAILABLE. CONTACT CUSTOMER SERVICE FOR MORE INFORMATION

2'x2' LED LUMEN PACKAGE	HIGH AMBIENT TEMPERATURE PRODUCT CODE	DELIVERED LUMENS	SYSTEM WATTS	LUMINAIRE EFFICACY	AMBIENT TEMP.	FLUORESCENT EQUIVALENT	IES FILES
8000 Lumens (Nominal)	PBL220-8-2L-FSW-PA-DRDM-UNV-2/850HT	6161	48.3	127.5 lm/W	-30°C / 50°C (-22°F / 122°F)	4-F24T5HO, 2-F54T5HO	*
12000 Lumens (Nominal)	PBL220-12-2L-FSW-PA-DRDM-UNV-2/850HT	9085	75.3	120.6 lm/W	-30°C / 50°C (-22°F / 122°F)	6-F24T5HO, 3-F54T5HO	LA-T3563-1.ies
16000 Lumens (Nominal)	PBL220-16-2L-FSW-PA-DRDM-UNV-2/850HT	12265	99.5	123.1 lm/W	-30°C / 50°C (-22°F / 122°F)	8-F24T5HO, 4-F54T5HO	*
20000 Lumens (Nominal)	PBL220-20-2L-FSW-PA-DRDM-UNV-4/850HT	15195	122.9	123.5 lm/W	-30°C / 50°C (-22°F / 122°F)	5-F54T5HO	LA-T3805a-2.ies
24000 Lumens (Nominal)	PBL220-24-2L-FSW-PA-DRDM-UNV-4/850HT	18126	149.6	121.1 lm/W	-30°C / 45°C (-22°F / 113°F)	6-F54T5HO	LA-T3766a-2.ies

NOTE:
 System data is based on 120V input voltage. Actual performance may differ as a result of end-user environment and application.
 This fixture has been tested and listed in accordance with UL Standards. L.A. Lighting certifies that it will operate safely when installed properly, and within an ambient temperature range noted in the system data table.
 Additional lumen packages and color temperatures available.

DOOR FRAME OPTIONS

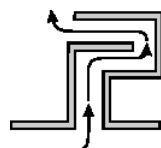
DOOR FRAME CROSS SECTION



- FS W FINISHES**
- W White Enamel
 - B Black Enamel
 - N Natural Aluminum
- STYLES**
- FS Flat Steel
 - FA Flat Extruded Aluminum
 - RA 5/8" Regressed Extruded Aluminum

AIR SLOT

- Formed air slot
- Allows air circulation for heat removal



Los Angeles Lighting Mfg. Co.
 Contact Us
 T: 626-454-8300
 F: 626-454-8399
www.lalighting.com
 10141 Olney Street
 El Monte, CA 91731
 Made in the USA



Due to continued product improvements and enhancements, Los Angeles Lighting Manufacturing Company reserves the right to alter specifications, dimensions, data, and/or materials without notice. Please visit our website to view the most current information.

© 2025 LOS ANGELES LIGHTING MANUFACTURING CO. ALL RIGHTS RESERVED.

Revised: 10/1/2025



MADE IN THE USA
 BABA/BAA Compliant

OPTICAL OPTIONS

ADDITIONAL LENSES AVAILABLE. VISIT WWW.LALIGHTING.COM/RESOURCES FOR MORE INFORMATION

STANDARD EXTRUDED PRISMATIC PATTERNS

PA	Clear Prismatic Acrylic, No Thickness Specified, Female Prisms 3/16 Square Base, Pattern 1
PA2	Clear Prismatic Acrylic, Nom. 0.125 OA Thickness, Female Prisms 3/16 Square Base, Pattern 12
FPA2	Frosted Prismatic Acrylic, Nom. 0.125 OA Thickness, Female Prisms 3/16 Square Base, Pattern 12
FFWA	Flat Frosted White Acrylic, No Thickness Specified



Los Angeles Lighting Mfg. Co.
 Contact Us
 T: 626-454-8300 10141 Olney Street
 F: 626-454-8399 El Monte, CA 91731
www.lalighting.com Made in the USA



Due to continued product improvements and enhancements, Los Angeles Lighting Manufacturing Company reserves the right to alter specifications, dimensions, data, and/or materials without notice. Please visit our website to view the most current information.

© 2025 LOS ANGELES LIGHTING MANUFACTURING CO. ALL RIGHTS RESERVED.

Revised: 10/1/2025

