



# RESOURCES

## LENSES/OPTICS/WIRE GUARDS

® Contact customer service for more information on lenses and optical options.

Not all lenses and optical options are suitable for all luminaires. Contact customer service for more information. Lenses marked with \* are standard stocked lenses. Other lenses may require longer lead times.

### PRISMATIC ACRYLIC LENSES

<b>FPA2*</b>	Frosted Prismatic Acrylic, Nom. 0.125" OA Thickness, Female Prisms $\frac{3}{16}$ " Square Base, Pattern 12
<b>PA*</b>	Clear Prismatic Acrylic, No Thickness Specified, Female Prisms $\frac{3}{16}$ " Square Base, Pattern 12
<b>PA2*</b>	Clear Prismatic Acrylic, Nom. 0.125" OA Thickness, Female Prisms $\frac{3}{16}$ " Square Base, Pattern 12
<b>PA3*</b>	Clear Prismatic Acrylic, Min. 0.125" OA Thickness, Female Prisms $\frac{3}{16}$ " Square Base, Pattern 12
<b>PA8*</b>	Clear Prismatic Acrylic, Nom. 0.187" OA Thickness, Female Prisms $\frac{3}{16}$ " Square Base, Pattern 12
<b>P15</b>	Clear Prismatic Acrylic, Nom. 0.200" OA Thickness, Female Prisms $\frac{3}{16}$ " Square Base, Pattern 15
<b>P195</b>	Clear Prismatic Acrylic, Nom. 0.150" OA Thickness, Male Conical Prisms $\frac{3}{16}$ " Square Base, Pattern 19

### SMOOTH ACRYLIC LENSES

<b>FFWA*</b>	Flat Frosted White Acrylic, No Thickness Specified	<b>CA</b>	Clear Acrylic, No Thickness Specified
<b>FFWA2</b>	Flat Frosted White Acrylic, Nom. 0.125" Thickness	<b>CA2</b>	Clear Acrylic, Nom. 0.125" OA Thickness
<b>FFA</b>	Flat Frosted Acrylic, No Thickness Specified	<b>CA8</b>	Clear Acrylic, Nom. 0.187" OA Thickness
<b>FFA2</b>	Flat Frosted Acrylic, Nom. 0.125" Thickness		

### HIGH-IMPACT LENSES

<b>DRP2*</b>	High-Impact Clear Prismatic Acrylic, Nom. 0.125" OA Thickness, Female Prisms $\frac{3}{16}$ " Square Base, Pattern 12
<b>DRP3</b>	High-Impact Clear Prismatic Acrylic, Min. 0.125" OA Thickness, Female Prisms $\frac{3}{16}$ " Square Base, Pattern 12
<b>DRP8*</b>	High-Impact Clear Prismatic Acrylic, Nom. 0.187" OA Thickness, Female Prisms $\frac{3}{16}$ " Square Base, Pattern 12
<b>CPC2</b>	High-Impact Clear Polycarbonate, Nom. 0.125" OA Thickness
<b>CPC8</b>	High-Impact Clear Polycarbonate, Nom. 0.187" OA Thickness
<b>PPC2</b>	High-Impact Clear Prismatic Polycarbonate, Nom. 0.125" OA Thickness, Female Prisms $\frac{3}{16}$ " Square Base, Pattern 12
<b>PPC8</b>	High-Impact Clear Prismatic Polycarbonate, Nom. 0.187" OA Thickness, Female Prisms $\frac{3}{16}$ " Square Base, Pattern 12
<b>VL25</b>	High-Impact Clear Polycarbonate, Nom. 0.125" Thickness with 0.125" Clear Prismatic Acrylic Overlay
<b>VL37</b>	High-Impact Clear Polycarbonate, Nom. 0.250" Thickness with 0.125" Clear Prismatic Acrylic Overlay

### DROP PANS

<b>DP</b>	Dropped Opal Acrylic Dish, Stippled Finish, 1 $\frac{1}{2}$ " Standard Drop
-----------	---

### LOUVERS

<b>P1S</b>	Paracube Silver Finish, $\frac{5}{8}$ " x $\frac{5}{8}$ " x $\frac{7}{16}$ " Parabolic Cells	<b>PLA</b>	Eggcrate White Acrylic Louver, $\frac{1}{2}$ " x $\frac{1}{2}$ " x $\frac{1}{2}$ "
<b>P2S</b>	Paracube Silver Finish, 1 $\frac{1}{2}$ " x 1 $\frac{1}{2}$ " x 1" Parabolic Cells	<b>ALW</b>	Eggcrate Aluminum Louver, $\frac{1}{2}$ " x $\frac{1}{2}$ " x $\frac{1}{2}$ " Baked White Enamel Finish
<b>P4S</b>	Paracube Silver Finish, $\frac{3}{4}$ " x $\frac{3}{4}$ " x $\frac{1}{2}$ " Parabolic Cells	<b>ALB</b>	Eggcrate Aluminum Louver, $\frac{1}{2}$ " x $\frac{1}{2}$ " x $\frac{1}{2}$ " Baked Black Enamel Finish
		<b>ALM</b>	Eggcrate Aluminum Louver, $\frac{1}{2}$ " x $\frac{1}{2}$ " x $\frac{1}{2}$ " Mill Finish



Los Angeles Lighting Mfg. Co.

Contact Us  
T: 626-454-8300 10141 Olney Street  
F: 626-454-8399 El Monte, CA 91731  
www.lalighting.com Made in the USA



Due to continued product improvements and enhancements, Los Angeles Lighting Manufacturing Company reserves the right to alter specifications, dimensions, data, and/or materials without notice. Please visit our website to view the most current information.

© 2026 LOS ANGELES LIGHTING MANUFACTURING CO. ALL RIGHTS RESERVED.





# RESOURCES

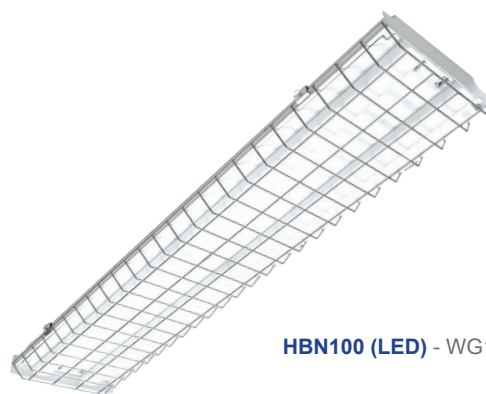
## LENSES/OPTICS/WIRE GUARDS

® Contact customer service for more information on lenses and optical options.

Luminaire	Length	Wire Guard Part #
EBY150	4'	WG11-EBY150-4
EBY350	2'	WG11-EBY350-2
EBY350	4'	WG11-EBY350-4
EBY450	4'	WG11-EBY450-4
HBI600	4'	WG11-HBI600-4
HBI609	4'	WG11-HBI609-4
HBI800	4'	WG11-HBI800-4
HBN100 (LED)	2'	WG11-HBN100-2L
HBN100 (LED)	4'	WG11-HBN100-4L
HBN100 (Fluo/LED Tube)	4'	WG11-HBN100-4
HBN200	4'	WG11-HBN200-4
HBV350	4'	WG11-HBV350-4
IND220	4'	WG14-IND220-4
INW111	2'	WG14-INW111-2
INW111	4'	WG14-INW111-4
INW200	2'	WG14-INW200-2
INW200	4'	WG14-INW200-4
KDI100	2'	WG14-KDI100-2
KDI100	3'	WG14-KDI100-3
KDI100	4'	WG14-KDI100-4
KDI200	2'	WG14-KDI200-2
KDI200	3'	WG14-KDI200-3
KDI200	4'	WG14-KDI200-4
KDS100	2'	WG14-KDS100-2
KDS100	3'	WG14-KDS100-3
KDS100	4'	WG14-KDS100-4
KDS200	2'	WG14-KDS200-2
KDS200	3'	WG14-KDS200-3
KDS200	4'	WG14-KDS200-4
MXSTR210	2'	WG14-MXSTR210-2
MXSTR210	3'	WG14-MXSTR210-3
MXSTR210	4'	WG14-MXSTR210-4
STR100	2'	WG14-STR100-2
STR100	3'	WG14-STR100-3
STR100	4'	WG14-STR100-4
STR220	2'	WG14-STR220-2
STR220	4'	WG14-STR220-4
STW110*	N/A	N/A

### Wire Guards

- Shipped separately from luminaire, must be installed on-site
- All necessary hardware included (zinc finish)
- Chrome epoxy powder coat standard. Custom colors also available (contact Customer Service).



HBN100 (LED) - WG11-HBN100-4L



HBI600 - WG11-HBI600-4



INW111 - WG14-INW111-4

\* Wire guard included with luminaire. No part number required.



**Los Angeles Lighting Mfg. Co.**  
 Contact Us  
 T: 626-454-8300 10141 Olney Street  
 F: 626-454-8399 El Monte, CA 91731  
 www.lalighting.com Made in the USA



Due to continued product improvements and enhancements, Los Angeles Lighting Manufacturing Company reserves the right to alter specifications, dimensions, data, and/or materials without notice. Please visit our website to view the most current information.

© 2026 LOS ANGELES LIGHTING MANUFACTURING CO. ALL RIGHTS RESERVED.

