

# RLGDC320 LED Retrofit Kit Installation Instructions

Drawing Number: IN1067\_RLGDC320

**Read all instructions and warnings before attempting installation. Failure to heed warnings may increase risk of electrical shock, fire, personal injury, or death.**

**WARNING** Installation requires knowledge of the design and operation of the product's electrical systems and the hazards involved, and should only be performed by a qualified electrician.

**WARNING** Always disconnect power before attempting installation or service. Electrical shock resulting in serious injury or death can occur if power is not disconnected.

**WARNING** Make all electrical and grounded connections in accordance with the National Electrical Code (NEC) and any applicable local code requirements. All wiring connections should be capped with UL approved wire connectors.

**WARNING** Verify that the supply voltage is correct by comparing it with the information on the product label.

**WARNING** To prevent wiring damage or abrasion, do not expose wiring to edges of sheet metal or other sharp objects.

**WARNING** Only those holes indicated in the installation instructions should be made or altered during installation. Do not make or alter any existing holes in wiring enclosures or electrical components.

**WARNING** When drilling holes for mounting a luminaire or installing an LED Retrofit Kit, select drill areas that are clear of wiring and electrical components.

**WARNING** Wear gloves and safety glasses at all times when removing luminaire or replacement parts from carton, installing, servicing and performing maintenance.

**WARNING** Allow luminaire to cool before handling. Do not touch enclosure or light source while hot.

**WARNING** For cUL units, the LED Retrofit Kit is acceptable as a component of a luminaire where the suitability of the combination shall be determined by CSA or authorities having jurisdiction.

**WARNING** This product may contain chemicals known to the State of California to cause cancer, birth defects and/or other reproductive harm. Thoroughly wash hands after installing, handling, cleaning, or otherwise touching this product.



**Los Angeles Lighting Mfg. Co.**  
Contact Us  
T: 626-454-8300 10141 Olney Street  
F: 626-454-8399 El Monte, CA 91731  
www.lalighting.com Made in the USA



Due to continued product improvements and enhancements, Los Angeles Lighting Manufacturing Company reserves the right to alter specifications, dimensions, data, and/or materials without notice. Please visit our website to view the most current information.

© 2026 LOS ANGELES LIGHTING MANUFACTURING CO. ALL RIGHTS RESERVED

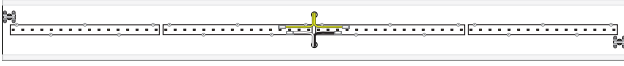


# RLGDC320 LED Retrofit Kit Installation Instructions

Drawing Number: IN1067\_RLGDC320

## PARTS CHECKLIST

### Pre-Wired LED Board x1



### Pre-Wired LED Driver x1



### Hardware/Documentation Package x1 Contents:

- Quarter-turn Fasteners x2
- Sheet Metal Screws x2
- Self-Drilling Philips Head Screws x2
- Self-Drilling Screws x2
- Tooth Lock Washer x1
- Luminaire Modification Label x1
- Replacement Parts Label x1



## INSTALLATION INSTRUCTIONS

**IMPORTANT** Always disconnect power before attempting installation.

**IMPORTANT** Check retrofit kit against parts checklist and read all instructions before starting installation.

**IMPORTANT** To avoid the risk of damage, do not touch the LED boards during installation.

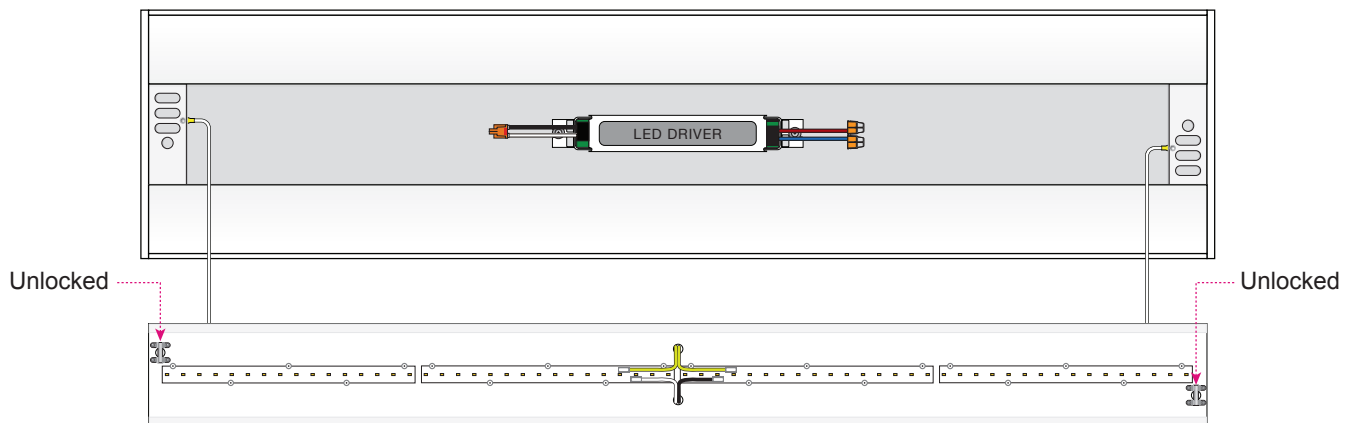
**IMPORTANT** The modification label and replacement parts label provided with the retrofit kit are required by UL. They must be applied to the luminaire housing before installation is complete.

### STEP 1

- Locate host fixture and disconnect power. Remove lens and place on a clean, protected surface to be re-installed.

### STEP 2

- Turn two quarter-turn fasteners to release LED cover plate from housing. Cover plate will remain attached to housing via safety cables.



Los Angeles Lighting Mfg. Co.  
Contact Us  
T: 626-454-8300 10141 Olney Street  
F: 626-454-8399 El Monte, CA 91731  
www.lalighting.com Made in the USA



Due to continued product improvements and enhancements, Los Angeles Lighting Manufacturing Company reserves the right to alter specifications, dimensions, data, and/or materials without notice. Please visit our website to view the most current information.

© 2026 LOS ANGELES LIGHTING MANUFACTURING CO. ALL RIGHTS RESERVED

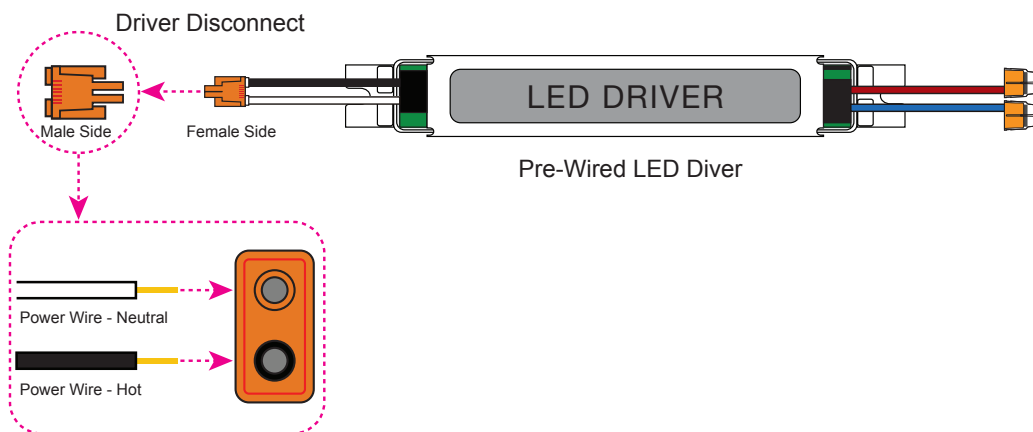


# RLGDC320 LED Retrofit Kit Installation Instructions

Drawing Number: IN1067\_RLGDC320

## STEP 3

- Disconnect existing driver from power supply via orange driver disconnect.

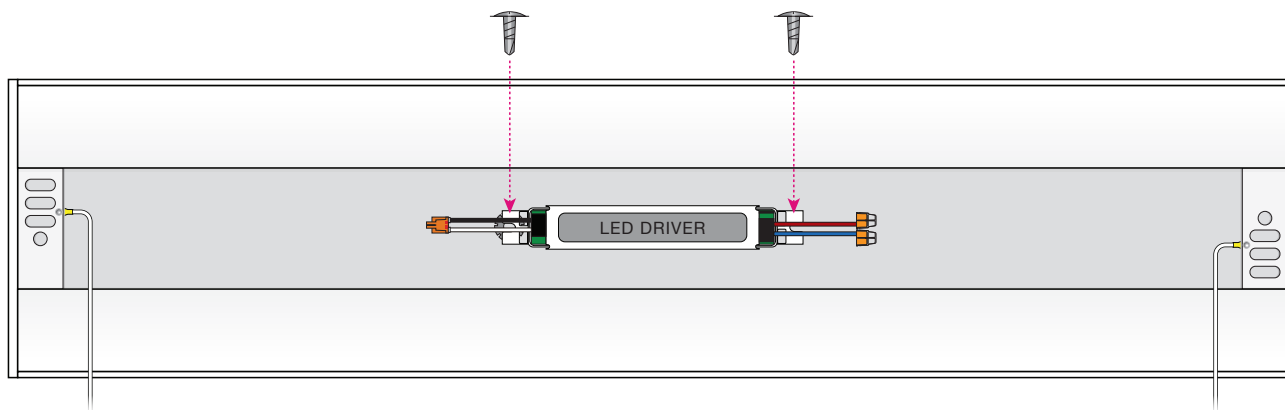


## STEP 4

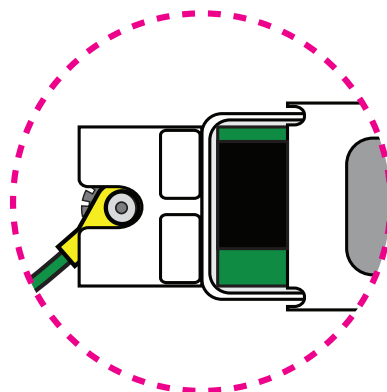
- Remove driver from housing. Disconnect LED cover plate from safety cables. Safety cables will remain connected to housing.

## STEP 5

- Install new driver in housing. If possible, use original holes and screws. If not, use provided Self-Drilling Phillips Head Screws to attach driver to housing.



To ensure proper grounding, place the Tooth Lock Washer under the Driver mounting slot. If the Driver comes with a green grounding wire, place it between the Tooth Lock Washer and the Driver mounting slot.



Los Angeles Lighting Mfg. Co.  
Contact Us  
T: 626-454-8300 10141 Olney Street  
F: 626-454-8399 El Monte, CA 91731  
www.lalighting.com Made in the USA



Due to continued product improvements and enhancements, Los Angeles Lighting Manufacturing Company reserves the right to alter specifications, dimensions, data, and/or materials without notice. Please visit our website to view the most current information.

© 2026 LOS ANGELES LIGHTING MANUFACTURING CO. ALL RIGHTS RESERVED

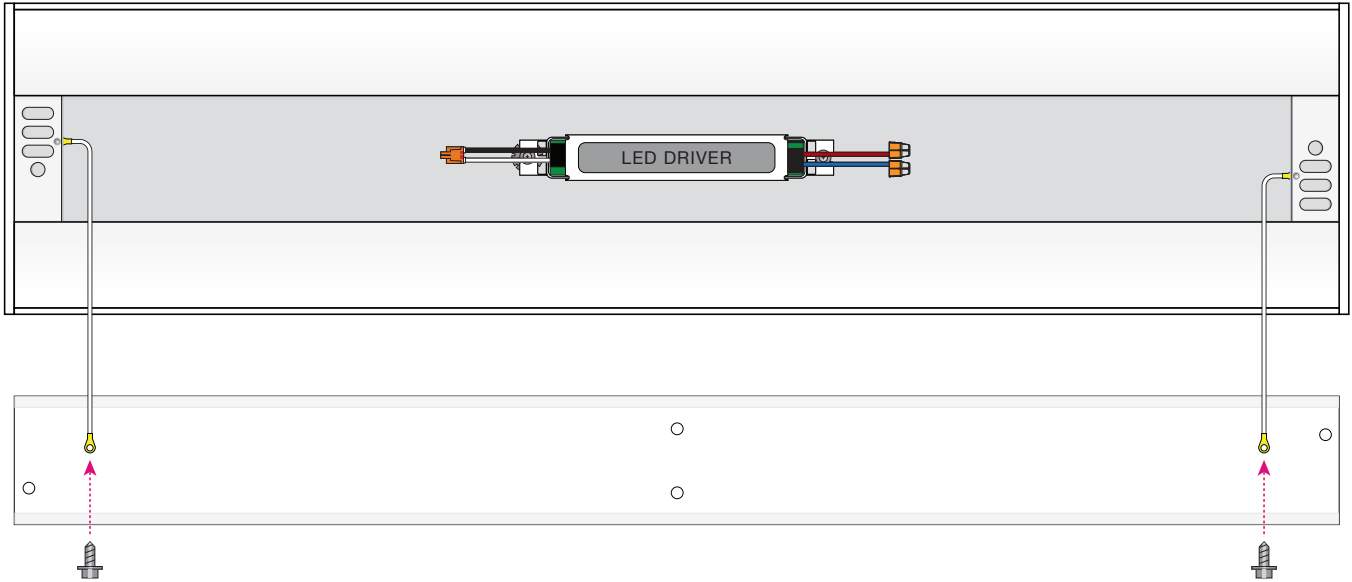


# RLGDC320 LED Retrofit Kit Installation Instructions

Drawing Number: IN1067\_RLGDC320

## STEP 6

- Attach new LED cover plate to safety cables using provided Sheet Metal Screws.



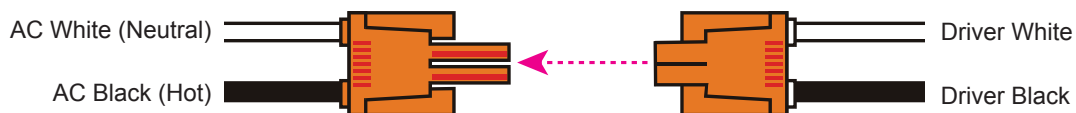
## STEP 7

- Connect LED wires to LED driver using push-in connectors:
- Insert white wires from LED strip to push-in connector with blue wire from driver
- Insert yellow wires from LED strip to push-in connector with red wire from driver.



## STEP 8

- Connect driver disconnect: AC black to driver black, AC white to driver white.



**Los Angeles Lighting Mfg. Co.**  
Contact Us  
T: 626-454-8300 10141 Olney Street  
F: 626-454-8399 El Monte, CA 91731  
www.lalighting.com Made in the USA



Due to continued product improvements and enhancements, Los Angeles Lighting Manufacturing Company reserves the right to alter specifications, dimensions, data, and/or materials without notice. Please visit our website to view the most current information.

© 2026 LOS ANGELES LIGHTING MANUFACTURING CO. ALL RIGHTS RESERVED



# RLGDC320 LED Retrofit Kit Installation Instructions

Drawing Number: IN1067\_RLGDC320

## STEP 9

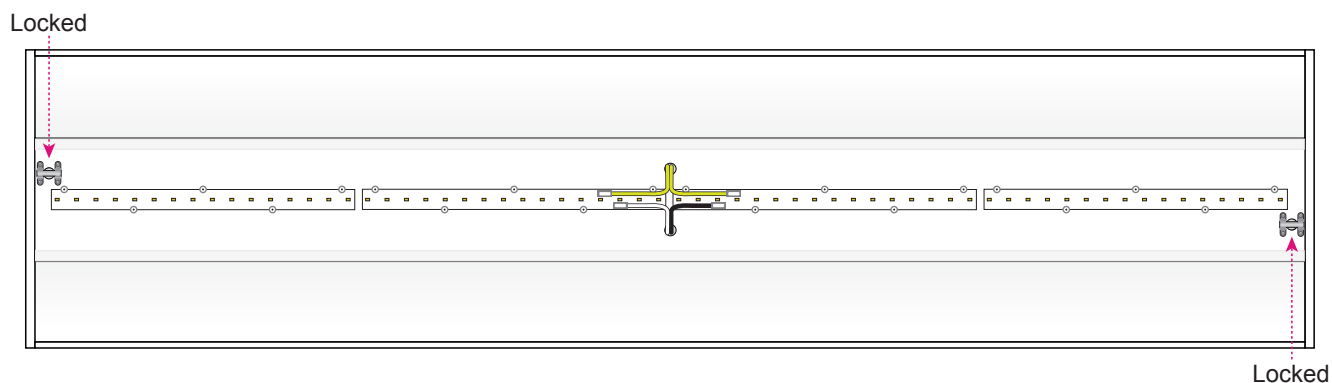
- Apply provided labels to the luminaire housing. Labels must be applied in compliance with UL standards.

**MANUFACTURER**  
LOS ANGELES LIGHTING MFG. CO.  
FOR REPLACEMENT, PROVIDE COMPLETE  
RETROFIT KIT PART NUMBER AND SPECIFY  
BOARD ASSEMBLY OR DRIVER IF NECESSARY

THIS LUMINAIRE HAS BEEN MODIFIED  
TO OPERATE LED MODULES.  
DO NOT ATTEMPT TO INSTALL OR OPERATE  
FLUORESCENT OR LED TUBE LAMPS  
IN THIS LUMINAIRE.

## STEP 10

- Use two quarter-turn fasteners to attach the LED cover plate to the housing. **For fixtures without oblong hole, use the provided self-drilling screws instead.**



## STEP 11

- Re-install lens and reconnect power.



**Los Angeles Lighting Mfg. Co.**  
Contact Us  
T: 626-454-8300 10141 Olney Street  
F: 626-454-8399 El Monte, CA 91731  
www.lalighting.com Made in the USA



Due to continued product improvements and enhancements, Los Angeles Lighting Manufacturing Company reserves the right to alter specifications, dimensions, data, and/or materials without notice. Please visit our website to view the most current information.

© 2026 LOS ANGELES LIGHTING MANUFACTURING CO. ALL RIGHTS RESERVED

